



Neue Teile im Lager

nach Kfz-Verwendungen

12/2017

www.ate.de



Original AT
Original AT
Pièces d C
Repuestos
Ricambi O
Original AT



Bezeichnung

OE-Nummern
zu ATE
Artikelnummern



z.B. Vorsachnummern /
diverse

AUDI

| | | | | | | | | | |
|--------------------------------|------------------|----------|---------|---------|----------------|--------|------------------------|-------------------------------|----------------|
| A2 (00-05) | 1,4 TDI | HL | 11.2003 | 07.2005 | 24.3344-1709.5 | 240810 | FAUSTSATTEL | 6Q0 615 423 B , 6Q0 615 423 A | 24.3344-1709.7 |
| | 1,6 FSI | HL | 05.2002 | 07.2005 | 24.3344-1709.5 | 240810 | FAUSTSATTEL | 6Q0 615 423 B , 6Q0 615 423 A | 24.3344-1709.7 |
| A3 / A3 (8P) Sportback (03-13) | 1,2 TSI | 3) Coull | 04.2010 | 08.2013 | 11.0230-0663.1 | 260131 | CALIPER MOUNT. BRACKET | 1K0 615 125 B | |
| | 1,4 TFSI | 3) Coull | 07.2007 | 08.2013 | 11.0230-0663.1 | 260131 | CALIPER MOUNT. BRACKET | 1K0 615 125 B | |
| | | 3) Coull | 07.2007 | 12.2008 | 24.9145-0001.2 | 399005 | HYDRAULIC CONTROL UNI | 1K0 698 517 B | |
| | 1,6 | 3) Coull | 05.2003 | 08.2013 | 11.0230-0663.1 | 260131 | CALIPER MOUNT. BRACKET | 1K0 615 125 B | |
| | | 3) Coull | 05.2003 | 12.2008 | 24.9145-0001.2 | 399005 | HYDRAULIC CONTROL UNI | 1K0 698 517 B | |
| | 1,6 FSI | 3) Coull | 08.2003 | 08.2013 | 11.0230-0663.1 | 260131 | CALIPER MOUNT. BRACKET | 1K0 615 125 B | |
| | | 3) Coull | 08.2003 | 12.2008 | 24.9145-0001.2 | 399005 | HYDRAULIC CONTROL UNI | 1K0 698 517 B | |
| | 1,6 TDI | 3) Coull | 05.2009 | 08.2013 | 11.0230-0663.1 | 260131 | CALIPER MOUNT. BRACKET | 1K0 615 125 B | |
| | 1,8 TFSI | 3) Coull | 01.2007 | 08.2013 | 11.0230-0663.1 | 260131 | CALIPER MOUNT. BRACKET | 1K0 615 125 B | |
| | | 3) Coull | 01.2007 | 12.2008 | 24.9145-0001.2 | 399005 | HYDRAULIC CONTROL UNI | 1K0 698 517 B | |
| | 1,8 TFSI quattro | 3) Coull | 05.2008 | 08.2013 | 11.0230-0663.1 | 260131 | CALIPER MOUNT. BRACKET | 1K0 615 125 B | |
| | | 3) Coull | 05.2008 | 12.2008 | 24.9145-0001.2 | 399005 | HYDRAULIC CONTROL UNI | 1K0 698 517 B | |
| | 1,9 TDI | 3) Coull | 06.2003 | 08.2013 | 11.0230-0663.1 | 260131 | CALIPER MOUNT. BRACKET | 1K0 615 125 B | |
| | | 3) Coull | 06.2003 | 12.2008 | 24.9145-0001.2 | 399005 | HYDRAULIC CONTROL UNI | 1K0 698 517 B | |
| | 2,0 FSI | 3) Coull | 05.2003 | 08.2013 | 11.0230-0663.1 | 260131 | CALIPER MOUNT. BRACKET | 1K0 615 125 B | |
| | | 3) Coull | 05.2003 | 12.2008 | 24.9145-0001.2 | 399005 | HYDRAULIC CONTROL UNI | 1K0 698 517 B | |
| | 2,0 TDI | 3) Coull | 06.2006 | 06.2008 | 11.0230-0663.1 | 260131 | CALIPER MOUNT. BRACKET | 1K0 615 125 B | |
| | | 3) Coull | 03.2006 | 08.2013 | 11.0230-0663.1 | 260131 | CALIPER MOUNT. BRACKET | 1K0 615 125 B | |



Bezeichnung

OE-Nummern
zu ATE
Artikelnummern



z.B. Vorsachnummern /
diverse

AUDI

| | | | | | | | | | |
|--------------------------------|------------------|----------|---------|---------|----------------|--------|------------------------|---------------|--|
| A3 / A3 (8P) Sportback (03-13) | 2,0 TDI | 3) Coull | 05.2003 | 08.2013 | 11.0230-0663.1 | 260131 | CALIPER MOUNT. BRACKET | 1K0 615 125 B | |
| | | 3) Coull | 05.2003 | 12.2008 | 24.9145-0001.2 | 399005 | HYDRAULIC CONTROL UNI | 1K0 698 517 B | |
| | | 3) Coull | 03.2006 | 12.2008 | 24.9145-0001.2 | 399005 | HYDRAULIC CONTROL UNI | 1K0 698 517 B | |
| | | 3) Coull | 06.2006 | 06.2008 | 24.9145-0001.2 | 399005 | HYDRAULIC CONTROL UNI | 1K0 698 517 B | |
| | 2,0 TDI quattro | 3) Coull | 03.2006 | 08.2013 | 11.0230-0663.1 | 260131 | CALIPER MOUNT. BRACKET | 1K0 615 125 B | |
| | | 3) Coull | 05.2003 | 08.2013 | 11.0230-0663.1 | 260131 | CALIPER MOUNT. BRACKET | 1K0 615 125 B | |
| | | 3) Coull | 08.2004 | 08.2013 | 11.0230-0663.1 | 260131 | CALIPER MOUNT. BRACKET | 1K0 615 125 B | |
| | | 3) Coull | 08.2004 | 12.2008 | 24.9145-0001.2 | 399005 | HYDRAULIC CONTROL UNI | 1K0 698 517 B | |
| | | 3) Coull | 05.2003 | 12.2008 | 24.9145-0001.2 | 399005 | HYDRAULIC CONTROL UNI | 1K0 698 517 B | |
| | | 3) Coull | 03.2006 | 12.2008 | 24.9145-0001.2 | 399005 | HYDRAULIC CONTROL UNI | 1K0 698 517 B | |
| | 2,0 TFSI | 3) Coull | 06.2004 | 08.2013 | 11.0230-0663.1 | 260131 | CALIPER MOUNT. BRACKET | 1K0 615 125 B | |
| | | 3) Coull | 06.2004 | 12.2008 | 24.9145-0001.2 | 399005 | HYDRAULIC CONTROL UNI | 1K0 698 517 B | |
| | 2,0 TFSI quattro | 3) Coull | 06.2004 | 08.2013 | 11.0230-0663.1 | 260131 | CALIPER MOUNT. BRACKET | 1K0 615 125 B | |
| | | 3) Coull | 06.2004 | 12.2008 | 24.9145-0001.2 | 399005 | HYDRAULIC CONTROL UNI | 1K0 698 517 B | |
| | 3,2 quattro | 3) Coull | 07.2003 | 08.2013 | 11.0230-0663.1 | 260131 | CALIPER MOUNT. BRACKET | 1K0 615 125 B | |
| | | 3) Coull | 07.2003 | 12.2008 | 24.9145-0001.2 | 399005 | HYDRAULIC CONTROL UNI | 1K0 698 517 B | |
| | S3 | 3) Coull | 11.2006 | 12.2008 | 24.9145-0001.2 | 399005 | HYDRAULIC CONTROL UNI | 1K0 698 517 B | |
| | | 3) Coull | 07.2008 | 12.2008 | 24.9145-0001.2 | 399005 | HYDRAULIC CONTROL UNI | 1K0 698 517 B | |
| A4 (B6/B7) (01-08) | 1,6 | 3) Coull | 12.2000 | 11.2008 | 11.0230-0807.1 | 260134 | CALIPER MOUNT. BRACKET | 4F0 615 125 | |
| | 1,8 T | 3) Coull | 11.2002 | 11.2008 | 11.0230-0807.1 | 260134 | CALIPER MOUNT. BRACKET | 4F0 615 125 | |
| | | 3) Coull | 07.2001 | 11.2008 | 11.0230-0807.1 | 260134 | CALIPER MOUNT. BRACKET | 4F0 615 125 | |



Bezeichnung

OE-Nummern
zu ATE
Artikelnummern



z.B. Vorsachnummern /
diverse

AUDI

| A4 (B6/B7) (01-08) | 1,8 T | 3) Coull | 12.2000 | 11.2008 | 11.0230-0807.1 | 260134 | CALIPER MOUNT. BRACKET | 4F0 615 125 | |
|--------------------|------------------|----------|---------|---------|----------------|--------|------------------------|-------------|--|
| | | 3) Coull | 07.2002 | 11.2008 | 11.0230-0807.1 | 260134 | CALIPER MOUNT. BRACKET | 4F0 615 125 | |
| | 1,8 T quattro | 3) Coull | 07.2002 | 11.2008 | 11.0230-0807.1 | 260134 | CALIPER MOUNT. BRACKET | 4F0 615 125 | |
| | | 3) Coull | 11.2002 | 11.2008 | 11.0230-0807.1 | 260134 | CALIPER MOUNT. BRACKET | 4F0 615 125 | |
| | | 3) Coull | 12.2000 | 11.2008 | 11.0230-0807.1 | 260134 | CALIPER MOUNT. BRACKET | 4F0 615 125 | |
| | | 3) Coull | 07.2001 | 11.2008 | 11.0230-0807.1 | 260134 | CALIPER MOUNT. BRACKET | 4F0 615 125 | |
| | 1,9 TDI | 3) Coull | 04.2001 | 11.2008 | 11.0230-0807.1 | 260134 | CALIPER MOUNT. BRACKET | 4F0 615 125 | |
| | | 3) Coull | 06.2004 | 11.2008 | 11.0230-0807.1 | 260134 | CALIPER MOUNT. BRACKET | 4F0 615 125 | |
| | | 3) Coull | 12.2000 | 11.2008 | 11.0230-0807.1 | 260134 | CALIPER MOUNT. BRACKET | 4F0 615 125 | |
| | 1,9 TDI quattro | 3) Coull | 12.2000 | 11.2008 | 11.0230-0807.1 | 260134 | CALIPER MOUNT. BRACKET | 4F0 615 125 | |
| | 2 | 3) Coull | 12.2000 | 11.2008 | 11.0230-0807.1 | 260134 | CALIPER MOUNT. BRACKET | 4F0 615 125 | |
| | 2,0 FSI | 3) Coull | 07.2002 | 11.2008 | 11.0230-0807.1 | 260134 | CALIPER MOUNT. BRACKET | 4F0 615 125 | |
| | 2,0 TDI | 3) Coull | 11.2004 | 11.2008 | 11.0230-0807.1 | 260134 | CALIPER MOUNT. BRACKET | 4F0 615 125 | |
| | | 3) Coull | 06.2006 | 11.2008 | 11.0230-0807.1 | 260134 | CALIPER MOUNT. BRACKET | 4F0 615 125 | |
| | 2,0 TDI quattro | 3) Coull | 01.2006 | 11.2008 | 11.0230-0807.1 | 260134 | CALIPER MOUNT. BRACKET | 4F0 615 125 | |
| | | 3) Coull | 06.2006 | 11.2008 | 11.0230-0807.1 | 260134 | CALIPER MOUNT. BRACKET | 4F0 615 125 | |
| | 2,0 TFSI | 3) Coull | 06.2005 | 11.2008 | 11.0230-0807.1 | 260134 | CALIPER MOUNT. BRACKET | 4F0 615 125 | |
| | | 3) Coull | 11.2004 | 11.2008 | 11.0230-0807.1 | 260134 | CALIPER MOUNT. BRACKET | 4F0 615 125 | |
| | 2,0 TFSI quattro | 3) Coull | 06.2005 | 11.2008 | 11.0230-0807.1 | 260134 | CALIPER MOUNT. BRACKET | 4F0 615 125 | |
| | | 3) Coull | 11.2004 | 11.2008 | 11.0230-0807.1 | 260134 | CALIPER MOUNT. BRACKET | 4F0 615 125 | |
| | 2,4 | 3) Coull | 09.2001 | 11.2008 | 11.0230-0807.1 | 260134 | CALIPER MOUNT. BRACKET | 4F0 615 125 | |



Bezeichnung

OE-Nummern
zu ATE
Artikelnummern



z.B. Vorsachnummern /
diverse

AUDI

| | | | | | | | | | |
|--------------------|------------------|----------|---------|---------|----------------|--------|------------------------|---------------|--|
| A4 (B6/B7) (01-08) | 2,5 TDI | 3) Coull | 12.2000 | 11.2008 | 11.0230-0807.1 | 260134 | CALIPER MOUNT. BRACKET | 4F0 615 125 | |
| | 2,5 TDI quattro | 3) Coull | 12.2000 | 11.2008 | 11.0230-0807.1 | 260134 | CALIPER MOUNT. BRACKET | 4F0 615 125 | |
| | 2,7 TDI | 3) Coull | 01.2006 | 11.2008 | 11.0230-0807.1 | 260134 | CALIPER MOUNT. BRACKET | 4F0 615 125 | |
| | | 3) Coull | 11.2005 | 11.2008 | 11.0230-0807.1 | 260134 | CALIPER MOUNT. BRACKET | 4F0 615 125 | |
| | 3 | 3) Coull | 12.2000 | 11.2008 | 11.0230-0807.1 | 260134 | CALIPER MOUNT. BRACKET | 4F0 615 125 | |
| | 3,0 quattro | 3) Coull | 12.2000 | 11.2008 | 11.0230-0807.1 | 260134 | CALIPER MOUNT. BRACKET | 4F0 615 125 | |
| | 3,0 TDI quattro | 3) Coull | 01.2006 | 11.2008 | 11.0230-0807.1 | 260134 | CALIPER MOUNT. BRACKET | 4F0 615 125 | |
| | | 3) Coull | 11.2004 | 11.2008 | 11.0230-0807.1 | 260134 | CALIPER MOUNT. BRACKET | 4F0 615 125 | |
| | 3,2 FSI | 3) Coull | 01.2005 | 11.2008 | 11.0230-0807.1 | 260134 | CALIPER MOUNT. BRACKET | 4F0 615 125 | |
| | 3,2 FSI quattro | 3) Coull | 01.2005 | 11.2008 | 11.0230-0807.1 | 260134 | CALIPER MOUNT. BRACKET | 4F0 615 125 | |
| | S4 | 3) Coull | 03.2003 | | 11.0230-0663.1 | 260131 | CALIPER MOUNT. BRACKET | 1K0 615 125 B | |
| A4 Cabrio (02-08) | 1,8 T | 3) Coull | 04.2002 | 11.2008 | 11.0230-0807.1 | 260134 | CALIPER MOUNT. BRACKET | 4F0 615 125 | |
| | 1,8 T quattro | 3) Coull | 05.2003 | 11.2008 | 11.0230-0807.1 | 260134 | CALIPER MOUNT. BRACKET | 4F0 615 125 | |
| | 2 | 3) Coull | 05.2004 | 11.2008 | 11.0230-0807.1 | 260134 | CALIPER MOUNT. BRACKET | 4F0 615 125 | |
| | 2,0 TDI | 3) Coull | 10.2005 | 11.2008 | 11.0230-0807.1 | 260134 | CALIPER MOUNT. BRACKET | 4F0 615 125 | |
| | 2,0 TFSI | 3) Coull | 01.2006 | 11.2008 | 11.0230-0807.1 | 260134 | CALIPER MOUNT. BRACKET | 4F0 615 125 | |
| | 2,0 TFSI quattro | 3) Coull | 11.2005 | 11.2008 | 11.0230-0807.1 | 260134 | CALIPER MOUNT. BRACKET | 4F0 615 125 | |
| | 2,4 | 3) Coull | 04.2002 | 11.2008 | 11.0230-0807.1 | 260134 | CALIPER MOUNT. BRACKET | 4F0 615 125 | |
| | 2,5 TDI | 3) Coull | 08.2002 | 11.2008 | 11.0230-0807.1 | 260134 | CALIPER MOUNT. BRACKET | 4F0 615 125 | |
| | 2,7 TDI | 3) Coull | 06.2006 | 11.2008 | 11.0230-0807.1 | 260134 | CALIPER MOUNT. BRACKET | 4F0 615 125 | |
| | 3 | 3) Coull | 04.2002 | 11.2008 | 11.0230-0807.1 | 260134 | CALIPER MOUNT. BRACKET | 4F0 615 125 | |



Bezeichnung

OE-Nummern
zu ATE
Artikelnummern



z.B. Vorsachnummern /
diverse

AUDI

| | | | | | | | | | |
|-------------------------------|-----------------|----------|---------|---------|----------------|--------|------------------------|---------------|--|
| A4 Cabrio (02-08) | 3,0 quattro | 3) Coull | 05.2003 | 11.2008 | 11.0230-0807.1 | 260134 | CALIPER MOUNT. BRACKET | 4F0 615 125 | |
| | 3,0 TDI quattro | 3) Coull | 01.2006 | 11.2008 | 11.0230-0807.1 | 260134 | CALIPER MOUNT. BRACKET | 4F0 615 125 | |
| | | 3) Coull | 10.2005 | 11.2008 | 11.0230-0807.1 | 260134 | CALIPER MOUNT. BRACKET | 4F0 615 125 | |
| | 3,2 FSI | 3) Coull | 10.2005 | 11.2008 | 11.0230-0807.1 | 260134 | CALIPER MOUNT. BRACKET | 4F0 615 125 | |
| | 3,2 FSI quattro | 3) Coull | 10.2005 | 11.2008 | 11.0230-0807.1 | 260134 | CALIPER MOUNT. BRACKET | 4F0 615 125 | |
| | S4 | 3) Coull | 02.2004 | 11.2008 | 11.0230-0663.1 | 260131 | CALIPER MOUNT. BRACKET | 1K0 615 125 B | |
| A6 (4F2/C6) Limousine (04-11) | 2,0 TDI | 3) Coull | 07.2004 | 03.2011 | 11.0230-0663.1 | 260131 | CALIPER MOUNT. BRACKET | 1K0 615 125 B | |
| | | 3) Coull | 10.2008 | 03.2011 | 11.0230-0807.1 | 260134 | CALIPER MOUNT. BRACKET | 4F0 615 125 | |
| | | 3) Coull | 06.2005 | 03.2011 | 11.0230-0807.1 | 260134 | CALIPER MOUNT. BRACKET | 4F0 615 125 | |
| | | 3) Coull | 10.2008 | 03.2011 | 11.0230-0663.1 | 260131 | CALIPER MOUNT. BRACKET | 1K0 615 125 B | |
| | | 3) Coull | 06.2005 | 03.2011 | 11.0230-0663.1 | 260131 | CALIPER MOUNT. BRACKET | 1K0 615 125 B | |
| | | 3) Coull | 07.2004 | 03.2011 | 11.0230-0807.1 | 260134 | CALIPER MOUNT. BRACKET | 4F0 615 125 | |
| | 2,0 TFSI | 3) Coull | 06.2005 | 03.2011 | 11.0230-0807.1 | 260134 | CALIPER MOUNT. BRACKET | 4F0 615 125 | |
| | | 3) Coull | 06.2005 | 03.2011 | 11.0230-0663.1 | 260131 | CALIPER MOUNT. BRACKET | 1K0 615 125 B | |
| | 2,4 | 3) Coull | 04.2004 | 03.2011 | 11.0230-0807.1 | 260134 | CALIPER MOUNT. BRACKET | 4F0 615 125 | |
| | | 3) Coull | 04.2004 | 03.2011 | 11.0230-0663.1 | 260131 | CALIPER MOUNT. BRACKET | 1K0 615 125 B | |
| | 2,4 quattro | 3) Coull | 01.2005 | 03.2011 | 11.0230-0807.1 | 260134 | CALIPER MOUNT. BRACKET | 4F0 615 125 | |
| | | 3) Coull | 01.2005 | 03.2011 | 11.0230-0663.1 | 260131 | CALIPER MOUNT. BRACKET | 1K0 615 125 B | |
| | 2,7 TDI | 3) Coull | 11.2004 | 03.2011 | 11.0230-0807.1 | 260134 | CALIPER MOUNT. BRACKET | 4F0 615 125 | |
| | | 3) Coull | 10.2008 | 03.2011 | 11.0230-0807.1 | 260134 | CALIPER MOUNT. BRACKET | 4F0 615 125 | |
| | | 3) Coull | 10.2008 | 03.2011 | 11.0230-0663.1 | 260131 | CALIPER MOUNT. BRACKET | 1K0 615 125 B | |



Bezeichnung

OE-Nummern
zu ATE
Artikelnummern



z.B. Vorsachnummern /
diverse

AUDI

| | | | | | | | | | |
|-------------------------------|-----------------|----------|---------|---------|----------------|--------|------------------------|---------------|--|
| A6 (4F2/C6) Limousine (04-11) | 2,7 TDI | 3) Coull | 11.2004 | 03.2011 | 11.0230-0663.1 | 260131 | CALIPER MOUNT. BRACKET | 1K0 615 125 B | |
| | 2,7 TDI quattro | 3) Coull | 06.2005 | 03.2011 | 11.0230-0807.1 | 260134 | CALIPER MOUNT. BRACKET | 4F0 615 125 | |
| | | 3) Coull | 11.2004 | 03.2011 | 11.0230-0807.1 | 260134 | CALIPER MOUNT. BRACKET | 4F0 615 125 | |
| | | 3) Coull | 10.2008 | 03.2011 | 11.0230-0663.1 | 260131 | CALIPER MOUNT. BRACKET | 1K0 615 125 B | |
| | | 3) Coull | 10.2008 | 03.2011 | 11.0230-0807.1 | 260134 | CALIPER MOUNT. BRACKET | 4F0 615 125 | |
| | | 3) Coull | 11.2004 | 03.2011 | 11.0230-0663.1 | 260131 | CALIPER MOUNT. BRACKET | 1K0 615 125 B | |
| | | 3) Coull | 06.2005 | 03.2011 | 11.0230-0663.1 | 260131 | CALIPER MOUNT. BRACKET | 1K0 615 125 B | |
| | 2,8 FSI | 3) Coull | 10.2008 | 03.2011 | 11.0230-0807.1 | 260134 | CALIPER MOUNT. BRACKET | 4F0 615 125 | |
| | | 3) Coull | 11.2006 | 03.2011 | 11.0230-0807.1 | 260134 | CALIPER MOUNT. BRACKET | 4F0 615 125 | |
| | | 3) Coull | 10.2008 | 03.2011 | 11.0230-0663.1 | 260131 | CALIPER MOUNT. BRACKET | 1K0 615 125 B | |
| | | 3) Coull | 11.2006 | 03.2011 | 11.0230-0663.1 | 260131 | CALIPER MOUNT. BRACKET | 1K0 615 125 B | |
| | 2,8 FSI quattro | 3) Coull | 10.2008 | 03.2011 | 11.0230-0663.1 | 260131 | CALIPER MOUNT. BRACKET | 1K0 615 125 B | |
| | | 3) Coull | 04.2007 | 03.2011 | 11.0230-0807.1 | 260134 | CALIPER MOUNT. BRACKET | 4F0 615 125 | |
| | | 3) Coull | 04.2007 | 03.2011 | 11.0230-0663.1 | 260131 | CALIPER MOUNT. BRACKET | 1K0 615 125 B | |
| | | 3) Coull | 10.2008 | 03.2011 | 11.0230-0807.1 | 260134 | CALIPER MOUNT. BRACKET | 4F0 615 125 | |
| | 3 | 3) Coull | 04.2004 | 03.2011 | 11.0230-0807.1 | 260134 | CALIPER MOUNT. BRACKET | 4F0 615 125 | |
| | | 3) Coull | 04.2004 | 03.2011 | 11.0230-0663.1 | 260131 | CALIPER MOUNT. BRACKET | 1K0 615 125 B | |
| | 3,0 quattro | 3) Coull | 04.2004 | 03.2011 | 11.0230-0807.1 | 260134 | CALIPER MOUNT. BRACKET | 4F0 615 125 | |
| | | 3) Coull | 04.2004 | 03.2011 | 11.0230-0663.1 | 260131 | CALIPER MOUNT. BRACKET | 1K0 615 125 B | |
| | 3,0 TDI quattro | 3) Coull | 10.2008 | 03.2011 | 11.0230-0663.1 | 260131 | CALIPER MOUNT. BRACKET | 1K0 615 125 B | |
| | | 3) Coull | 06.2006 | 03.2011 | 11.0230-0663.1 | 260131 | CALIPER MOUNT. BRACKET | 1K0 615 125 B | |



Bezeichnung

OE-Nummern
zu ATE
Artikelnummern



z.B. Vorsachnummern /
diverse

AUDI

| | | | | | | | | | |
|-------------------------------|------------------|----------|---------|---------|----------------|--------|------------------------|---------------|--|
| A6 (4F2/C6) Limousine (04-11) | 3,0 TDI quattro | 3) Coull | 04.2004 | 03.2011 | 11.0230-0663.1 | 260131 | CALIPER MOUNT. BRACKET | 1K0 615 125 B | |
| | | 3) Coull | 04.2004 | 03.2011 | 11.0230-0807.1 | 260134 | CALIPER MOUNT. BRACKET | 4F0 615 125 | |
| | | 3) Coull | 06.2006 | 03.2011 | 11.0230-0807.1 | 260134 | CALIPER MOUNT. BRACKET | 4F0 615 125 | |
| | | 3) Coull | 10.2008 | 03.2011 | 11.0230-0807.1 | 260134 | CALIPER MOUNT. BRACKET | 4F0 615 125 | |
| | 3,0 TFSI quattro | 3) Coull | 10.2008 | 03.2011 | 11.0230-0807.1 | 260134 | CALIPER MOUNT. BRACKET | 4F0 615 125 | |
| | | 3) Coull | 10.2008 | 03.2011 | 11.0230-0663.1 | 260131 | CALIPER MOUNT. BRACKET | 1K0 615 125 B | |
| | 3,2 FSI | 3) Coull | 04.2004 | 03.2011 | 11.0230-0807.1 | 260134 | CALIPER MOUNT. BRACKET | 4F0 615 125 | |
| | | 3) Coull | 04.2004 | 03.2011 | 11.0230-0663.1 | 260131 | CALIPER MOUNT. BRACKET | 1K0 615 125 B | |
| | 3,2 FSI quattro | 3) Coull | 04.2004 | 03.2011 | 11.0230-0663.1 | 260131 | CALIPER MOUNT. BRACKET | 1K0 615 125 B | |
| | | 3) Coull | 04.2004 | 03.2011 | 11.0230-0807.1 | 260134 | CALIPER MOUNT. BRACKET | 4F0 615 125 | |
| | 4,2 FSI quattro | 3) Coull | 06.2006 | 03.2011 | 11.0230-0663.1 | 260131 | CALIPER MOUNT. BRACKET | 1K0 615 125 B | |
| | | 3) Coull | 06.2006 | 03.2011 | 11.0230-0807.1 | 260134 | CALIPER MOUNT. BRACKET | 4F0 615 125 | |
| | 4,2 quattro | 3) Coull | 04.2004 | 03.2011 | 11.0230-0807.1 | 260134 | CALIPER MOUNT. BRACKET | 4F0 615 125 | |
| | | 3) Coull | 04.2004 | 03.2011 | 11.0230-0663.1 | 260131 | CALIPER MOUNT. BRACKET | 1K0 615 125 B | |
| A6 (4F5/C6) Avant (05-11) | 2,0 TDI | 3) Coull | 03.2005 | 08.2011 | 11.0230-0807.1 | 260134 | CALIPER MOUNT. BRACKET | 4F0 615 125 | |
| | | 3) Coull | 10.2008 | 08.2011 | 11.0230-0807.1 | 260134 | CALIPER MOUNT. BRACKET | 4F0 615 125 | |
| | | 3) Coull | 06.2005 | 08.2011 | 11.0230-0807.1 | 260134 | CALIPER MOUNT. BRACKET | 4F0 615 125 | |
| | | 3) Coull | 03.2005 | 08.2011 | 11.0230-0663.1 | 260131 | CALIPER MOUNT. BRACKET | 1K0 615 125 B | |
| | | 3) Coull | 06.2005 | 08.2011 | 11.0230-0663.1 | 260131 | CALIPER MOUNT. BRACKET | 1K0 615 125 B | |
| | | 3) Coull | 10.2008 | 08.2011 | 11.0230-0663.1 | 260131 | CALIPER MOUNT. BRACKET | 1K0 615 125 B | |
| | 2,0 TFSI | 3) Coull | 06.2005 | 08.2011 | 11.0230-0663.1 | 260131 | CALIPER MOUNT. BRACKET | 1K0 615 125 B | |



Bezeichnung

OE-Nummern
zu ATE
Artikelnummern



z.B. Vorsachnummern /
diverse

AUDI

| A6 (4F5/C6) Avant (05-11) | 2,0 TFSI | 3) Coull | 06.2005 | 08.2011 | 11.0230-0807.1 | 260134 | CALIPER MOUNT. BRACKET | 4F0 615 125 | |
|---------------------------|-----------------|----------|---------|---------|----------------|--------|------------------------|---------------|--|
| | 2,4 | 3) Coull | 03.2005 | 08.2011 | 11.0230-0663.1 | 260131 | CALIPER MOUNT. BRACKET | 1K0 615 125 B | |
| | | 3) Coull | 03.2005 | 08.2011 | 11.0230-0807.1 | 260134 | CALIPER MOUNT. BRACKET | 4F0 615 125 | |
| | 2,4 quattro | 3) Coull | 03.2005 | 08.2011 | 11.0230-0807.1 | 260134 | CALIPER MOUNT. BRACKET | 4F0 615 125 | |
| | | 3) Coull | 03.2005 | 08.2011 | 11.0230-0663.1 | 260131 | CALIPER MOUNT. BRACKET | 1K0 615 125 B | |
| | 2,7 TDI | 3) Coull | 10.2008 | 08.2011 | 11.0230-0807.1 | 260134 | CALIPER MOUNT. BRACKET | 4F0 615 125 | |
| | | 3) Coull | 03.2005 | 08.2011 | 11.0230-0807.1 | 260134 | CALIPER MOUNT. BRACKET | 4F0 615 125 | |
| | | 3) Coull | 03.2005 | 08.2011 | 11.0230-0663.1 | 260131 | CALIPER MOUNT. BRACKET | 1K0 615 125 B | |
| | | 3) Coull | 10.2008 | 08.2011 | 11.0230-0663.1 | 260131 | CALIPER MOUNT. BRACKET | 1K0 615 125 B | |
| | 2,7 TDI quattro | 3) Coull | 10.2008 | 08.2011 | 11.0230-0663.1 | 260131 | CALIPER MOUNT. BRACKET | 1K0 615 125 B | |
| | | 3) Coull | 06.2005 | 08.2011 | 11.0230-0663.1 | 260131 | CALIPER MOUNT. BRACKET | 1K0 615 125 B | |
| | | 3) Coull | 03.2005 | 08.2011 | 11.0230-0663.1 | 260131 | CALIPER MOUNT. BRACKET | 1K0 615 125 B | |
| | | 3) Coull | 03.2005 | 08.2011 | 11.0230-0807.1 | 260134 | CALIPER MOUNT. BRACKET | 4F0 615 125 | |
| | | 3) Coull | 06.2005 | 08.2011 | 11.0230-0807.1 | 260134 | CALIPER MOUNT. BRACKET | 4F0 615 125 | |
| | | 3) Coull | 10.2008 | 08.2011 | 11.0230-0807.1 | 260134 | CALIPER MOUNT. BRACKET | 4F0 615 125 | |
| | 2,8 FSI | 3) Coull | 11.2006 | 08.2011 | 11.0230-0807.1 | 260134 | CALIPER MOUNT. BRACKET | 4F0 615 125 | |
| | | 3) Coull | 10.2008 | 08.2011 | 11.0230-0807.1 | 260134 | CALIPER MOUNT. BRACKET | 4F0 615 125 | |
| | | 3) Coull | 11.2006 | 08.2011 | 11.0230-0663.1 | 260131 | CALIPER MOUNT. BRACKET | 1K0 615 125 B | |
| | | 3) Coull | 10.2008 | 08.2011 | 11.0230-0663.1 | 260131 | CALIPER MOUNT. BRACKET | 1K0 615 125 B | |
| | 2,8 FSI quattro | 3) Coull | 04.2007 | 08.2011 | 11.0230-0807.1 | 260134 | CALIPER MOUNT. BRACKET | 4F0 615 125 | |
| | | 3) Coull | 10.2008 | 08.2011 | 11.0230-0807.1 | 260134 | CALIPER MOUNT. BRACKET | 4F0 615 125 | |



Bezeichnung

OE-Nummern
zu ATE
Artikelnummern



z.B. Vorsachnummern /
diverse

AUDI

| | | | | | | | | | |
|---------------------------|------------------|----------|---------|---------|----------------|--------|------------------------|---------------|--|
| A6 (4F5/C6) Avant (05-11) | 2,8 FSI quattro | 3) Coull | 10.2008 | 08.2011 | 11.0230-0663.1 | 260131 | CALIPER MOUNT. BRACKET | 1K0 615 125 B | |
| | | 3) Coull | 04.2007 | 08.2011 | 11.0230-0663.1 | 260131 | CALIPER MOUNT. BRACKET | 1K0 615 125 B | |
| | 3 | 3) Coull | 03.2005 | 08.2011 | 11.0230-0807.1 | 260134 | CALIPER MOUNT. BRACKET | 4F0 615 125 | |
| | | 3) Coull | 03.2005 | 08.2011 | 11.0230-0663.1 | 260131 | CALIPER MOUNT. BRACKET | 1K0 615 125 B | |
| | 3,0 quattro | 3) Coull | 03.2005 | 08.2011 | 11.0230-0807.1 | 260134 | CALIPER MOUNT. BRACKET | 4F0 615 125 | |
| | | 3) Coull | 03.2005 | 08.2011 | 11.0230-0663.1 | 260131 | CALIPER MOUNT. BRACKET | 1K0 615 125 B | |
| | 3,0 TDI quattro | 3) Coull | 03.2005 | 08.2011 | 11.0230-0663.1 | 260131 | CALIPER MOUNT. BRACKET | 1K0 615 125 B | |
| | | 3) Coull | 06.2006 | 08.2011 | 11.0230-0663.1 | 260131 | CALIPER MOUNT. BRACKET | 1K0 615 125 B | |
| | | 3) Coull | 10.2008 | 08.2011 | 11.0230-0663.1 | 260131 | CALIPER MOUNT. BRACKET | 1K0 615 125 B | |
| | | 3) Coull | 03.2005 | 08.2011 | 11.0230-0807.1 | 260134 | CALIPER MOUNT. BRACKET | 4F0 615 125 | |
| | | 3) Coull | 06.2006 | 08.2011 | 11.0230-0807.1 | 260134 | CALIPER MOUNT. BRACKET | 4F0 615 125 | |
| | | 3) Coull | 10.2008 | 08.2011 | 11.0230-0807.1 | 260134 | CALIPER MOUNT. BRACKET | 4F0 615 125 | |
| | 3,0 TFSI quattro | 3) Coull | 10.2008 | 08.2011 | 11.0230-0663.1 | 260131 | CALIPER MOUNT. BRACKET | 1K0 615 125 B | |
| | | 3) Coull | 10.2008 | 08.2011 | 11.0230-0807.1 | 260134 | CALIPER MOUNT. BRACKET | 4F0 615 125 | |
| | 3,2 FSI | 3) Coull | 03.2005 | 08.2011 | 11.0230-0663.1 | 260131 | CALIPER MOUNT. BRACKET | 1K0 615 125 B | |
| | | 3) Coull | 03.2005 | 08.2011 | 11.0230-0807.1 | 260134 | CALIPER MOUNT. BRACKET | 4F0 615 125 | |
| | 3,2 FSI quattro | 3) Coull | 03.2005 | 08.2011 | 11.0230-0663.1 | 260131 | CALIPER MOUNT. BRACKET | 1K0 615 125 B | |
| | | 3) Coull | 03.2005 | 08.2011 | 11.0230-0807.1 | 260134 | CALIPER MOUNT. BRACKET | 4F0 615 125 | |
| | 4,2 FSI quattro | 3) Coull | 06.2006 | 08.2011 | 11.0230-0663.1 | 260131 | CALIPER MOUNT. BRACKET | 1K0 615 125 B | |
| | | 3) Coull | 06.2006 | 08.2011 | 11.0230-0807.1 | 260134 | CALIPER MOUNT. BRACKET | 4F0 615 125 | |
| | 4,2 quattro | 3) Coull | 03.2005 | 08.2011 | 11.0230-0663.1 | 260131 | CALIPER MOUNT. BRACKET | 1K0 615 125 B | |



Bezeichnung

OE-Nummern
zu ATE
Artikelnummern



z.B. Vorsachnummern /
diverse

AUDI

| | | | | | | | | | |
|---------------------------|-----------------|----------|---------|---------|----------------|--------|------------------------|---------------|--|
| A6 (4F5/C6) Avant (05-11) | 4,2 quattro | 3) Coull | 03.2005 | 08.2011 | 11.0230-0807.1 | 260134 | CALIPER MOUNT. BRACKET | 4F0 615 125 | |
| A6 Allroad (06-11) | 2,7 TDI | 3) Coull | 05.2006 | 05.2011 | 11.0230-0807.1 | 260134 | CALIPER MOUNT. BRACKET | 4F0 615 125 | |
| | | 3) Coull | 05.2006 | 05.2011 | 11.0230-0663.1 | 260131 | CALIPER MOUNT. BRACKET | 1K0 615 125 B | |
| | | 3) Coull | 10.2008 | 05.2011 | 11.0230-0663.1 | 260131 | CALIPER MOUNT. BRACKET | 1K0 615 125 B | |
| | | 3) Coull | 10.2008 | 05.2011 | 11.0230-0807.1 | 260134 | CALIPER MOUNT. BRACKET | 4F0 615 125 | |
| | 3,0 TDI | 3) Coull | 10.2008 | 05.2011 | 11.0230-0663.1 | 260131 | CALIPER MOUNT. BRACKET | 1K0 615 125 B | |
| | | 3) Coull | 05.2006 | 05.2011 | 11.0230-0663.1 | 260131 | CALIPER MOUNT. BRACKET | 1K0 615 125 B | |
| | | 3) Coull | 05.2006 | 05.2011 | 11.0230-0807.1 | 260134 | CALIPER MOUNT. BRACKET | 4F0 615 125 | |
| | | 3) Coull | 10.2008 | 05.2011 | 11.0230-0807.1 | 260134 | CALIPER MOUNT. BRACKET | 4F0 615 125 | |
| | 3,0 TFSI | 3) Coull | 10.2008 | 05.2011 | 11.0230-0663.1 | 260131 | CALIPER MOUNT. BRACKET | 1K0 615 125 B | |
| | | 3) Coull | 10.2008 | 05.2011 | 11.0230-0807.1 | 260134 | CALIPER MOUNT. BRACKET | 4F0 615 125 | |
| | 3,2 FSI | 3) Coull | 05.2006 | 05.2011 | 11.0230-0807.1 | 260134 | CALIPER MOUNT. BRACKET | 4F0 615 125 | |
| | | 3) Coull | 05.2006 | 05.2011 | 11.0230-0663.1 | 260131 | CALIPER MOUNT. BRACKET | 1K0 615 125 B | |
| | 4,2 FSI | 3) Coull | 05.2006 | 05.2011 | 11.0230-0663.1 | 260131 | CALIPER MOUNT. BRACKET | 1K0 615 125 B | |
| | | 3) Coull | 05.2006 | 05.2011 | 11.0230-0807.1 | 260134 | CALIPER MOUNT. BRACKET | 4F0 615 125 | |
| A8 (03-09) | 2,8 FSI | 3) Coull | 08.2007 | 10.2009 | 11.0230-0807.1 | 260134 | CALIPER MOUNT. BRACKET | 4F0 615 125 | |
| | 3 | 3) Coull | | 10.2009 | 11.0230-0807.1 | 260134 | CALIPER MOUNT. BRACKET | 4F0 615 125 | |
| | 3,0 quattro | 3) Coull | | 05.2004 | 11.0230-0807.1 | 260134 | CALIPER MOUNT. BRACKET | 4F0 615 125 | |
| | 3,0 TDI quattro | 3) Coull | | 10.2009 | 11.0230-0807.1 | 260134 | CALIPER MOUNT. BRACKET | 4F0 615 125 | |
| | 3,2 FSI | 3) Coull | | 10.2009 | 11.0230-0807.1 | 260134 | CALIPER MOUNT. BRACKET | 4F0 615 125 | |
| | 3,2 FSI quattro | 3) Coull | | 10.2009 | 11.0230-0807.1 | 260134 | CALIPER MOUNT. BRACKET | 4F0 615 125 | |



| | | | | | | | |
|---|----------|---|--|---|--------------------|---|--|
|  | i |  |  |  | Bezeichnung | OE-Nummern zu ATE Artikelnummern | i z.B. Vorsachnummern / diverse |
|---|----------|---|--|---|--------------------|---|--|

AUDI

| | | | | | | | | | |
|------------|-----------------|----------|--|---------|----------------|--------|------------------------|-------------|--|
| A8 (03-09) | 3,7 quattro | 3) Coull | | 10.2009 | 11.0230-0807.1 | 260134 | CALIPER MOUNT. BRACKET | 4F0 615 125 | |
| | 4,0 TDI quattro | 3) Coull | | 10.2009 | 11.0230-0807.1 | 260134 | CALIPER MOUNT. BRACKET | 4F0 615 125 | |
| | 4,2 FSI quattro | 3) Coull | | 10.2009 | 11.0230-0807.1 | 260134 | CALIPER MOUNT. BRACKET | 4F0 615 125 | |
| | 4,2 quattro | 3) Coull | | 10.2009 | 11.0230-0807.1 | 260134 | CALIPER MOUNT. BRACKET | 4F0 615 125 | |
| | 4,2 TDI quattro | 3) Coull | | 10.2009 | 11.0230-0807.1 | 260134 | CALIPER MOUNT. BRACKET | 4F0 615 125 | |
| | 6,0 W12 quattro | 3) Coull | | 10.2009 | 11.0230-0807.1 | 260134 | CALIPER MOUNT. BRACKET | 4F0 615 125 | |



Bezeichnung

OE-Nummern
zu ATE
Artikelnummern



z.B. Vorsachnummern /
diverse

BMW

| | | | | | | | | | |
|-------------------------------------|-------|----------|---------|---------|----------------|--------|-----------------------|---|--|
| 1er Reihe/E81/E87 Limousine (04-11) | 116 d | 3) Coull | 01.2011 | 12.2011 | 24.9145-0003.2 | 399007 | HYDRAULIC CONTROL UNI | 34 51 6 863 354 , 34 51 6 862 870 , 34 51 6 797 896 | |
| | | 3) Coull | 03.2009 | 05.2011 | 24.9145-0003.2 | 399007 | HYDRAULIC CONTROL UNI | 34 51 6 863 354 , 34 51 6 862 870 , 34 51 6 797 896 | |
| | 116 i | 3) Coull | 09.2008 | 12.2008 | 24.9145-0003.2 | 399007 | HYDRAULIC CONTROL UNI | 34 51 6 863 354 , 34 51 6 862 870 , 34 51 6 797 896 | |
| | | 3) Coull | 01.2009 | 05.2011 | 24.9145-0003.2 | 399007 | HYDRAULIC CONTROL UNI | 34 51 6 863 354 , 34 51 6 862 870 , 34 51 6 797 896 | |
| | 118 d | 3) Coull | 09.2008 | 05.2011 | 24.9145-0003.2 | 399007 | HYDRAULIC CONTROL UNI | 34 51 6 863 354 , 34 51 6 862 870 , 34 51 6 797 896 | |
| | 118 i | 3) Coull | 09.2008 | 05.2011 | 24.9145-0003.2 | 399007 | HYDRAULIC CONTROL UNI | 34 51 6 863 354 , 34 51 6 862 870 , 34 51 6 797 896 | |
| | 120 d | 3) Coull | 09.2008 | 05.2011 | 24.9145-0003.2 | 399007 | HYDRAULIC CONTROL UNI | 34 51 6 863 354 , 34 51 6 862 870 , 34 51 6 797 896 | |
| | 120 i | 3) Coull | 09.2008 | 05.2011 | 24.9145-0003.2 | 399007 | HYDRAULIC CONTROL UNI | 34 51 6 863 354 , 34 51 6 862 870 , 34 51 6 797 896 | |
| | 123 d | 3) Coull | 09.2008 | 05.2011 | 24.9145-0003.2 | 399007 | HYDRAULIC CONTROL UNI | 34 51 6 863 354 , 34 51 6 862 870 , 34 51 6 797 896 | |
| 1er Reihe/E82 Coupe (07-13) | 118 d | 3) Coull | 09.2009 | 10.2013 | 24.9145-0003.2 | 399007 | HYDRAULIC CONTROL UNI | 34 51 6 863 354 , 34 51 6 862 870 , 34 51 6 797 896 | |
| | 120 d | 3) Coull | 09.2008 | 10.2013 | 24.9145-0003.2 | 399007 | HYDRAULIC CONTROL UNI | 34 51 6 863 354 , 34 51 6 862 870 , 34 51 6 797 896 | |
| | 120 i | 3) Coull | 09.2009 | 10.2013 | 24.9145-0003.2 | 399007 | HYDRAULIC CONTROL UNI | 34 51 6 863 354 , 34 51 6 862 870 , 34 51 6 797 896 | |
| | 123 d | 3) Coull | 09.2008 | 10.2013 | 24.9145-0003.2 | 399007 | HYDRAULIC CONTROL UNI | 34 51 6 863 354 , 34 51 6 862 870 , 34 51 6 797 896 | |
| 1er Reihe/E88 Cabrio (08-13) | 118 d | 3) Coull | 09.2008 | 10.2013 | 24.9145-0003.2 | 399007 | HYDRAULIC CONTROL UNI | 34 51 6 863 354 , 34 51 6 862 870 , 34 51 6 797 896 | |



Bezeichnung

OE-Nummern
zu ATE
Artikelnummern



z.B. Vorsachnummern /
diverse

BMW

| | | | | | | | | | |
|-----------------------------------|-------|----------|---------|---------|----------------|--------|-----------------------|---|--|
| 1er Reihe/E88 Cabrio (08-13) | 118 i | 3) Coull | 09.2008 | 10.2013 | 24.9145-0003.2 | 399007 | HYDRAULIC CONTROL UNI | 34 51 6 863 354 , 34 51 6 862 870 , 34 51 6 797 896 | |
| | 120 d | 3) Coull | 09.2008 | 10.2013 | 24.9145-0003.2 | 399007 | HYDRAULIC CONTROL UNI | 34 51 6 863 354 , 34 51 6 862 870 , 34 51 6 797 896 | |
| | 120 i | 3) Coull | 09.2008 | 10.2013 | 24.9145-0003.2 | 399007 | HYDRAULIC CONTROL UNI | 34 51 6 863 354 , 34 51 6 862 870 , 34 51 6 797 896 | |
| | 123 d | 3) Coull | 09.2008 | 10.2013 | 24.9145-0003.2 | 399007 | HYDRAULIC CONTROL UNI | 34 51 6 863 354 , 34 51 6 862 870 , 34 51 6 797 896 | |
| 2er Reihe/F45 Active Tourer (14-) | 214 d | 3) Coull | 03.2015 | | 13.0470-2795.2 | LD2795 | CERAMIC BELAGSATZ | 34 10 6 863 292 , 34 11 6 860 016 | |
| | 216 i | 3) Coull | 11.2015 | | 13.0470-2795.2 | LD2795 | CERAMIC BELAGSATZ | 34 10 6 863 292 , 34 11 6 860 016 | |
| 3er Reihe/E90 Limousine (05-12) | 316 d | 3) Coull | 07.2009 | 03.2012 | 24.9145-0003.2 | 399007 | HYDRAULIC CONTROL UNI | 34 51 6 863 354 , 34 51 6 862 870 , 34 51 6 797 896 | |
| | 316 i | 3) Coull | 09.2008 | 03.2012 | 24.9145-0003.2 | 399007 | HYDRAULIC CONTROL UNI | 34 51 6 863 354 , 34 51 6 862 870 , 34 51 6 797 896 | |
| | 318 d | 3) Coull | 09.2008 | 03.2012 | 24.9145-0003.2 | 399007 | HYDRAULIC CONTROL UNI | 34 51 6 863 354 , 34 51 6 862 870 , 34 51 6 797 896 | |
| | 318 i | 3) Coull | 09.2008 | 03.2012 | 24.9145-0003.2 | 399007 | HYDRAULIC CONTROL UNI | 34 51 6 863 354 , 34 51 6 862 870 , 34 51 6 797 896 | |
| | 320 d | 3) Coull | 09.2008 | 03.2012 | 24.9145-0003.2 | 399007 | HYDRAULIC CONTROL UNI | 34 51 6 863 354 , 34 51 6 862 870 , 34 51 6 797 896 | |
| | 320 i | 3) Coull | 09.2008 | 03.2012 | 24.9145-0003.2 | 399007 | HYDRAULIC CONTROL UNI | 34 51 6 863 354 , 34 51 6 862 870 , 34 51 6 797 896 | |
| 3er Reihe/E91 Touring (05-12) | 316 d | 3) Coull | 09.2009 | 05.2012 | 24.9145-0003.2 | 399007 | HYDRAULIC CONTROL UNI | 34 51 6 863 354 , 34 51 6 862 870 , 34 51 6 797 896 | |
| | 316i | 3) Coull | 09.2008 | 05.2012 | 24.9145-0003.2 | 399007 | HYDRAULIC CONTROL UNI | 34 51 6 863 354 , 34 51 6 862 870 , 34 51 6 797 896 | |



Bezeichnung

OE-Nummern
zu ATE
Artikelnummern



z.B. Vorsachnummern /
diverse

BMW

| | | | | | | | | | |
|-------------------------------|-------|----------|---------|---------|----------------|--------|-----------------------|---|--|
| 3er Reihe/E91 Touring (05-12) | 318 d | 3) Coull | 09.2008 | 05.2012 | 24.9145-0003.2 | 399007 | HYDRAULIC CONTROL UNI | 34 51 6 863 354 , 34 51 6 862 870 , 34 51 6 797 896 | |
| | 318 i | 3) Coull | 09.2008 | 05.2012 | 24.9145-0003.2 | 399007 | HYDRAULIC CONTROL UNI | 34 51 6 863 354 , 34 51 6 862 870 , 34 51 6 797 896 | |
| | 320 d | 3) Coull | 09.2008 | 05.2012 | 24.9145-0003.2 | 399007 | HYDRAULIC CONTROL UNI | 34 51 6 863 354 , 34 51 6 862 870 , 34 51 6 797 896 | |
| | 320 i | 3) Coull | 09.2008 | 05.2012 | 24.9145-0003.2 | 399007 | HYDRAULIC CONTROL UNI | 34 51 6 863 354 , 34 51 6 862 870 , 34 51 6 797 896 | |
| 3er Reihe/E92 Coupe (06-13) | 316 i | 3) Coull | 09.2008 | 06.2013 | 24.9145-0003.2 | 399007 | HYDRAULIC CONTROL UNI | 34 51 6 863 354 , 34 51 6 862 870 , 34 51 6 797 896 | |
| | 318 i | 3) Coull | 03.2010 | 06.2013 | 24.9145-0003.2 | 399007 | HYDRAULIC CONTROL UNI | 34 51 6 863 354 , 34 51 6 862 870 , 34 51 6 797 896 | |
| | 320 d | 3) Coull | 09.2008 | 06.2013 | 24.9145-0003.2 | 399007 | HYDRAULIC CONTROL UNI | 34 51 6 863 354 , 34 51 6 862 870 , 34 51 6 797 896 | |
| | 320 i | 3) Coull | 09.2008 | 06.2013 | 24.9145-0003.2 | 399007 | HYDRAULIC CONTROL UNI | 34 51 6 863 354 , 34 51 6 862 870 , 34 51 6 797 896 | |
| 3er Reihe/E93 Cabrio (07-13) | 318 i | 3) Coull | 03.2010 | 11.2013 | 24.9145-0003.2 | 399007 | HYDRAULIC CONTROL UNI | 34 51 6 863 354 , 34 51 6 862 870 , 34 51 6 797 896 | |
| | 320 d | 3) Coull | 01.2010 | 11.2013 | 24.9145-0003.2 | 399007 | HYDRAULIC CONTROL UNI | 34 51 6 863 354 , 34 51 6 862 870 , 34 51 6 797 896 | |
| | | 3) Coull | 09.2008 | 11.2013 | 24.9145-0003.2 | 399007 | HYDRAULIC CONTROL UNI | 34 51 6 863 354 , 34 51 6 862 870 , 34 51 6 797 896 | |
| | 320 i | 3) Coull | 09.2008 | 11.2013 | 24.9145-0003.2 | 399007 | HYDRAULIC CONTROL UNI | 34 51 6 863 354 , 34 51 6 862 870 , 34 51 6 797 896 | |
| Z3/E36 (95-02) | 1,8 | HL | 10.1995 | 10.1998 | 24.3361-8505.5 | 240633 | FAUSTSATTEL | 34 21 1 164 397 | |
| | 1,9 | HL | 10.1995 | 12.2002 | 24.3361-8505.5 | 240633 | FAUSTSATTEL | 34 21 1 164 397 | |
| | 2 | HL | 04.1999 | 08.2000 | 24.3361-8505.5 | 240633 | FAUSTSATTEL | 34 21 1 164 397 | |



| | | | | | | | |
|--|----------|--|--|--|--------------------|---|--|
| | i | | | | Bezeichnung | OE-Nummern zu ATE Artikelnummern | i z.B. Vorsachnummern / diverse |
|--|----------|--|--|--|--------------------|---|--|

BMW

| | | | | | | | | | |
|----------------|--------------|----|---------|---------|----------------|--------|-------------|-----------------|--|
| Z3/E36 (95-02) | 2,2 | HL | 10.2000 | 12.2002 | 24.3361-8505.5 | 240633 | FAUSTSATTEL | 34 21 1 164 397 | |
| | 2,8 Coupe | HL | 07.1997 | 06.2000 | 24.3361-8505.5 | 240633 | FAUSTSATTEL | 34 21 1 164 397 | |
| | 2,8 Roadster | HL | 05.1997 | 06.2000 | 24.3361-8505.5 | 240633 | FAUSTSATTEL | 34 21 1 164 397 | |
| | 3,0 Coupe | HL | 06.2000 | 12.2002 | 24.3361-8505.5 | 240633 | FAUSTSATTEL | 34 21 1 164 397 | |
| | 3,0 Roadster | HL | 06.2000 | 12.2002 | 24.3361-8505.5 | 240633 | FAUSTSATTEL | 34 21 1 164 397 | |

Classic NFZ

| | | | | | | | | | |
|--------------------------------------|------|----------|---------|---------|----------------|--------|------------------|-----------------|----------------|
| STEYR DAIMLER PUCH 380-10230 (58-88) | 1090 | 3) Coull | 01.1975 | 12.1979 | 03.0370-0115.2 | 050115 | REP. SATZ HZ/THZ | 34 31 4 050 590 | 03.0370-0115.2 |
|--------------------------------------|------|----------|---------|---------|----------------|--------|------------------|-----------------|----------------|



| | | | | | | |
|--|----------|--|--|--------------------|---|--|
| | i | | | Bezeichnung | OE-Nummern zu ATE Artikelnummern | i z.B. Vorsachnummern / diverse |
|--|----------|--|--|--------------------|---|--|

Classic PKW

| | | | | | | | | | |
|--|---------------------|----------|---------|---------|----------------|--------|------------------|---|----------------|
| BMW 2,5/2,8/3,0/3,3 (68-77) | 2500 | 3) Coull | 01.1969 | 08.1973 | 03.3402-2204.1 | 829089 | NUTMANSCHETTE | 411 721 269 B , 90.81052.1118 , 10548.45020.01/16 | |
| | 2800 | 3) Coull | 01.1969 | 08.1973 | 03.3402-2204.1 | 829089 | NUTMANSCHETTE | 411 721 269 B , 90.81052.1118 , 10548.45020.01/16 | |
| | 3,0 S/LS/CS | 3) Coull | 01.1971 | 08.1973 | 03.3402-2204.1 | 829089 | NUTMANSCHETTE | 411 721 269 B , 90.81052.1118 , 10548.45020.01/16 | |
| JAGUAR XJ (X300) (94-97) | 12 6,0 | VL | 11.1994 | 07.1997 | 11.9601-9781.2 | 220991 | FAUSTSATTEL | JLM 21470 , JLM 11717 | |
| | 6 3,2 | VL | 11.1994 | 07.1997 | 11.9601-9781.2 | 220991 | FAUSTSATTEL | JLM 21470 , JLM 11717 | |
| | 6 Sovereign 4,0 | VL | 11.1994 | 07.1997 | 11.9601-9781.2 | 220991 | FAUSTSATTEL | JLM 21470 , JLM 11717 | |
| | R Super Charged 4,0 | VL | 11.1994 | 07.1997 | 11.9601-9781.2 | 220991 | FAUSTSATTEL | JLM 21470 , JLM 11717 | |
| NSU 1000/1200 (63-72) | 1000 | 3) Coull | 08.1963 | 12.1967 | 03.0370-0115.2 | 050115 | REP. SATZ HZ/THZ | 34 31 4 050 590 | 03.0370-0115.2 |
| NSU PRINZ 4 (61-71) | 600 | 3) Coull | 08.1961 | 11.1971 | 03.0370-0115.2 | 050115 | REP. SATZ HZ/THZ | 34 31 4 050 590 | 03.0370-0115.2 |
| STEYR DAIMLER PUCH 500/600/700 (58-69) | 500/500 D | 3) Coull | 01.1958 | 12.1969 | 03.0370-0115.2 | 050115 | REP. SATZ HZ/THZ | 34 31 4 050 590 | 03.0370-0115.2 |
| | 650T/650 TR | 3) Coull | 01.1961 | 12.1969 | 03.0370-0115.2 | 050115 | REP. SATZ HZ/THZ | 34 31 4 050 590 | 03.0370-0115.2 |
| | 700C/700 E | 3) Coull | 01.1960 | 12.1969 | 03.0370-0115.2 | 050115 | REP. SATZ HZ/THZ | 34 31 4 050 590 | 03.0370-0115.2 |



Bezeichnung

OE-Nummern
zu ATE
Artikelnummern



z.B. Vorsachnummern /
diverse

DACIA

| Dacia Model | Engine | Configuration | Year | ATE Part No. | ATE Part No. | Part Name | OE Part No. |
|---------------------------------|-----------------|---------------|---------|----------------|--------------|---------------|---------------|
| DUSTER (HS_) (10-) | 1,2 TCe 125 | 3) Coull | 09.2013 | 24.5201-0280.3 | 331569 | BREMSSCHLAUCH | 46 21 072 11R |
| | 1,2 TCe 125 4x4 | 3) Coull | 06.2015 | 24.5201-0280.3 | 331569 | BREMSSCHLAUCH | 46 21 072 11R |
| | 1,5 dCi | 3) Coull | 09.2013 | 24.5201-0280.3 | 331569 | BREMSSCHLAUCH | 46 21 072 11R |
| | 1,5 dCi 4x4 | 3) Coull | 08.2013 | 24.5201-0280.3 | 331569 | BREMSSCHLAUCH | 46 21 072 11R |
| LOGAN II Limousine (L52_) (12-) | 0,9 TCe 90 | 3) Coull | 11.2012 | 24.5201-0280.3 | 331569 | BREMSSCHLAUCH | 46 21 072 11R |
| | 0,9 TCe 90 LPG | 3) Coull | 09.2015 | 24.5201-0280.3 | 331569 | BREMSSCHLAUCH | 46 21 072 11R |
| | 1,2 16V 75 | 3) Coull | 11.2012 | 24.5201-0280.3 | 331569 | BREMSSCHLAUCH | 46 21 072 11R |
| | 1,2 16V LPG | 3) Coull | 11.2012 | 24.5201-0280.3 | 331569 | BREMSSCHLAUCH | 46 21 072 11R |
| | 1,5 dCi 75 | 3) Coull | 11.2012 | 24.5201-0280.3 | 331569 | BREMSSCHLAUCH | 46 21 072 11R |
| | 1,5 DCi 85 | 3) Coull | 01.2013 | 24.5201-0280.3 | 331569 | BREMSSCHLAUCH | 46 21 072 11R |
| | 1,5 dCi 90 | 3) Coull | 11.2012 | 24.5201-0280.3 | 331569 | BREMSSCHLAUCH | 46 21 072 11R |
| | 1,6 16V | 3) Coull | 04.2015 | 24.5201-0280.3 | 331569 | BREMSSCHLAUCH | 46 21 072 11R |
| | | 3) Coull | 01.2013 | 24.5201-0280.3 | 331569 | BREMSSCHLAUCH | 46 21 072 11R |
| LOGAN II MCV Kombi (13-) | 0,9 TCe 90 | 3) Coull | 02.2013 | 24.5201-0280.3 | 331569 | BREMSSCHLAUCH | 46 21 072 11R |
| | 0,9 TCe 90 LPG | 3) Coull | 09.2015 | 24.5201-0280.3 | 331569 | BREMSSCHLAUCH | 46 21 072 11R |
| | 1,0 SCe 75 | 3) Coull | 12.2016 | 24.5201-0280.3 | 331569 | BREMSSCHLAUCH | 46 21 072 11R |
| | 1,2 16V | 3) Coull | 02.2013 | 24.5201-0280.3 | 331569 | BREMSSCHLAUCH | 46 21 072 11R |
| | 1,2 16V LPG | 3) Coull | 02.2013 | 24.5201-0280.3 | 331569 | BREMSSCHLAUCH | 46 21 072 11R |
| | 1,5 dCi 75 | 3) Coull | 02.2013 | 24.5201-0280.3 | 331569 | BREMSSCHLAUCH | 46 21 072 11R |
| | 1,5 dCi 85 | 3) Coull | 02.2013 | 24.5201-0280.3 | 331569 | BREMSSCHLAUCH | 46 21 072 11R |
| | 1,5 dCi 90 | 3) Coull | 02.2013 | 24.5201-0280.3 | 331569 | BREMSSCHLAUCH | 46 21 072 11R |



Bezeichnung

OE-Nummern
zu ATE
Artikelnummern



z.B. Vorsachnummern /
diverse

DACIA

| | | | | | | | | | |
|--------------------------|----------------|----------|---------|--|----------------|--------|---------------|---------------|--|
| LOGAN II MCV Kombi (13-) | 1,6 | 3) Coull | 06.2013 | | 24.5201-0280.3 | 331569 | BREMSSCHLAUCH | 46 21 072 11R | |
| SANDERO II (B52_) (12-) | 0,9 TCe 90 | 3) Coull | 11.2012 | | 24.5201-0280.3 | 331569 | BREMSSCHLAUCH | 46 21 072 11R | |
| | 0,9 TCe 90 LPG | 3) Coull | 09.2015 | | 24.5201-0280.3 | 331569 | BREMSSCHLAUCH | 46 21 072 11R | |
| | 1,0 SCe 75 | 3) Coull | 12.2016 | | 24.5201-0280.3 | 331569 | BREMSSCHLAUCH | 46 21 072 11R | |
| | 1,2 16V | 3) Coull | 11.2012 | | 24.5201-0280.3 | 331569 | BREMSSCHLAUCH | 46 21 072 11R | |
| | 1,2 16V LPG | 3) Coull | 11.2012 | | 24.5201-0280.3 | 331569 | BREMSSCHLAUCH | 46 21 072 11R | |
| | 1,5 dCi 75 | 3) Coull | 11.2012 | | 24.5201-0280.3 | 331569 | BREMSSCHLAUCH | 46 21 072 11R | |
| | 1,5 dCi 85 | 3) Coull | 01.2013 | | 24.5201-0280.3 | 331569 | BREMSSCHLAUCH | 46 21 072 11R | |
| | 1,5 dCi 90 | 3) Coull | 11.2012 | | 24.5201-0280.3 | 331569 | BREMSSCHLAUCH | 46 21 072 11R | |
| | 1,6 | 3) Coull | 11.2012 | | 24.5201-0280.3 | 331569 | BREMSSCHLAUCH | 46 21 072 11R | |
| | 1,6 16V | 3) Coull | 04.2015 | | 24.5201-0280.3 | 331569 | BREMSSCHLAUCH | 46 21 072 11R | |



| | | | | | | | |
|--|----------|--|--|--|--------------------|---|--|
| | i | | | | Bezeichnung | OE-Nummern zu ATE Artikelnummern | i z.B. Vorsachnummern / diverse |
|--|----------|--|--|--|--------------------|---|--|

FIAT

| | | | | | | | | | |
|-------------|--------------------|----------|---------|--|----------------|--------|---------------|---------------------------------------|--|
| 500 (07-) | 1,2 i | 3) Coull | 01.2010 | | 24.3728-0536.2 | 590536 | KUPPLUNGSSEIL | 1735312 , AS51-7K553-AA , 55226950 | |
| | 1,2 LPG | 3) Coull | 12.2010 | | 24.3728-0536.2 | 590536 | KUPPLUNGSSEIL | 1735312 , AS51-7K553-AA , 55226950 | |
| 500C (09-) | 1,2 | 3) Coull | 01.2010 | | 24.3728-0536.2 | 590536 | KUPPLUNGSSEIL | 1735312 , AS51-7K553-AA , 55226950 | |
| 500X (14-) | 1,4 4x4 | 3) Coull | 09.2014 | | 24.0128-0292.1 | 428292 | BREMSSCHEIBE | 51963548 , 51937304 | |
| | 1,6 | 3) Coull | 09.2014 | | 24.0128-0292.1 | 428292 | BREMSSCHEIBE | 51963548 , 51937304 | |
| | | 3) Coull | 11.2014 | | 24.0128-0292.1 | 428292 | BREMSSCHEIBE | 51963548 , 51937304 | |
| | 2,0 D MultiJet 4x4 | 3) Coull | 09.2014 | | 24.0128-0292.1 | 428292 | BREMSSCHEIBE | 51963548 , 51937304 | |
| PANDA (12-) | 1,2 | 3) Coull | 02.2012 | | 24.3728-0536.2 | 590536 | KUPPLUNGSSEIL | 1735312 , AS51-7K553-AA , 55226950 | |
| | 1,2 LPG | 3) Coull | 02.2012 | | 24.3728-0536.2 | 590536 | KUPPLUNGSSEIL | 1735312 , AS51-7K553-AA , 55226950 | |



Bezeichnung

OE-Nummern
zu ATE
Artikelnummern



z.B. Vorsachnummern /
diverse

FORD

| | | | | | | | | | |
|---------------------|------------|----------|---------|---------|----------------|--------|-----------------------|---------------------------------------|--|
| C-MAX I (07-10) | 1,6 i 16V | 3) Coull | 03.2007 | 10.2010 | 24.9145-0004.2 | 399008 | HYDRAULIC CONTROL UNI | BRYV-43-7A0 , 8M51-2B373-AA , 1692659 | |
| | 1,6 TDCi | 3) Coull | 03.2007 | 10.2010 | 24.9145-0004.2 | 399008 | HYDRAULIC CONTROL UNI | BRYV-43-7A0 , 8M51-2B373-AA , 1692659 | |
| | 1,8 i 16V | 3) Coull | 03.2007 | 10.2010 | 24.9145-0004.2 | 399008 | HYDRAULIC CONTROL UNI | BRYV-43-7A0 , 8M51-2B373-AA , 1692659 | |
| | 1,8 TDCi | 3) Coull | 03.2007 | 10.2010 | 24.9145-0004.2 | 399008 | HYDRAULIC CONTROL UNI | BRYV-43-7A0 , 8M51-2B373-AA , 1692659 | |
| | 2,0 i 16V | 3) Coull | 03.2007 | 10.2010 | 24.9145-0004.2 | 399008 | HYDRAULIC CONTROL UNI | BRYV-43-7A0 , 8M51-2B373-AA , 1692659 | |
| | 2,0 TDCi | 3) Coull | 03.2007 | 10.2010 | 24.9145-0004.2 | 399008 | HYDRAULIC CONTROL UNI | BRYV-43-7A0 , 8M51-2B373-AA , 1692659 | |
| | | 3) Coull | 02.2008 | 10.2010 | 24.9145-0004.2 | 399008 | HYDRAULIC CONTROL UNI | BRYV-43-7A0 , 8M51-2B373-AA , 1692659 | |
| FOCUS C-MAX (03-07) | 1,6 i 16V | 3) Coull | 08.2003 | 03.2007 | 24.9145-0004.2 | 399008 | HYDRAULIC CONTROL UNI | BRYV-43-7A0 , 8M51-2B373-AA , 1692659 | |
| | 1,6 TDCi | 3) Coull | 08.2003 | 03.2007 | 24.9145-0004.2 | 399008 | HYDRAULIC CONTROL UNI | BRYV-43-7A0 , 8M51-2B373-AA , 1692659 | |
| | | 3) Coull | 01.2005 | 03.2007 | 24.9145-0004.2 | 399008 | HYDRAULIC CONTROL UNI | BRYV-43-7A0 , 8M51-2B373-AA , 1692659 | |
| | 1,6 Ti VCT | 3) Coull | 08.2004 | 03.2007 | 24.9145-0004.2 | 399008 | HYDRAULIC CONTROL UNI | BRYV-43-7A0 , 8M51-2B373-AA , 1692659 | |
| | 1,8 i 16V | 3) Coull | 08.2003 | 03.2007 | 24.9145-0004.2 | 399008 | HYDRAULIC CONTROL UNI | BRYV-43-7A0 , 8M51-2B373-AA , 1692659 | |
| | | 3) Coull | 04.2004 | 03.2007 | 24.9145-0004.2 | 399008 | HYDRAULIC CONTROL UNI | BRYV-43-7A0 , 8M51-2B373-AA , 1692659 | |
| | 1,8 TDCi | 3) Coull | 01.2005 | 03.2007 | 24.9145-0004.2 | 399008 | HYDRAULIC CONTROL UNI | BRYV-43-7A0 , 8M51-2B373-AA , 1692659 | |



Bezeichnung

OE-Nummern
zu ATE
Artikelnummern



z.B. Vorsachnummern /
diverse

FORD

| | | | | | | | | | |
|---------------------|--------------|----------|---------|---------|----------------|--------|-----------------------|---------------------------------------|---------|
| FOCUS C-MAX (03-07) | 2,0 i 16V | 3) Coull | 04.2004 | 03.2007 | 24.9145-0004.2 | 399008 | HYDRAULIC CONTROL UNI | BRYV-43-7A0 , 8M51-2B373-AA , 1692659 | |
| | 2,0 TDCi | 3) Coull | 08.2003 | 03.2007 | 24.9145-0004.2 | 399008 | HYDRAULIC CONTROL UNI | BRYV-43-7A0 , 8M51-2B373-AA , 1692659 | |
| FOCUS II (05-11) | 1,4 i 16V | 3) Coull | 10.2004 | 02.2011 | 24.9145-0004.2 | 399008 | HYDRAULIC CONTROL UNI | BRYV-43-7A0 , 8M51-2B373-AA , 1692659 | |
| | 1,6 i 16V | 3) Coull | 10.2004 | 02.2011 | 24.9145-0004.2 | 399008 | HYDRAULIC CONTROL UNI | BRYV-43-7A0 , 8M51-2B373-AA , 1692659 | |
| | 1,6 TDCi | 3) Coull | 01.2005 | 02.2011 | 24.9145-0004.2 | 399008 | HYDRAULIC CONTROL UNI | BRYV-43-7A0 , 8M51-2B373-AA , 1692659 | |
| | | 3) Coull | 10.2004 | 02.2011 | 24.9145-0004.2 | 399008 | HYDRAULIC CONTROL UNI | BRYV-43-7A0 , 8M51-2B373-AA , 1692659 | |
| | 1,6 Ti VCT | 3) Coull | 10.2004 | 02.2011 | 24.9145-0004.2 | 399008 | HYDRAULIC CONTROL UNI | BRYV-43-7A0 , 8M51-2B373-AA , 1692659 | |
| | 1,8 i 16V | 3) Coull | 01.2006 | 02.2011 | 24.9145-0004.2 | 399008 | HYDRAULIC CONTROL UNI | BRYV-43-7A0 , 8M51-2B373-AA , 1692659 | |
| | 1,8 TDCi | 3) Coull | 01.2005 | 02.2011 | 24.9145-0004.2 | 399008 | HYDRAULIC CONTROL UNI | BRYV-43-7A0 , 8M51-2B373-AA , 1692659 | |
| | 2,0 i 16V | 3) Coull | 10.2004 | 02.2011 | 24.9145-0004.2 | 399008 | HYDRAULIC CONTROL UNI | BRYV-43-7A0 , 8M51-2B373-AA , 1692659 | |
| | 2,0 TDCi | 3) Coull | 10.2004 | 02.2011 | 24.9145-0004.2 | 399008 | HYDRAULIC CONTROL UNI | BRYV-43-7A0 , 8M51-2B373-AA , 1692659 | |
| | | 3) Coull | 02.2008 | 02.2011 | 24.9145-0004.2 | 399008 | HYDRAULIC CONTROL UNI | BRYV-43-7A0 , 8M51-2B373-AA , 1692659 | |
| | 2,5 ST | 3) Coull | 10.2005 | 02.2011 | 24.9145-0004.2 | 399008 | HYDRAULIC CONTROL UNI | BRYV-43-7A0 , 8M51-2B373-AA , 1692659 | |
| GALAXY III (15-) | 1,5 EcoBoost | 3) Coull | 04.2015 | | 13.0460-7313.2 | 607313 | BELAGSATZ | DG9C-2K021-EC , 1860105 | s. Abb. |
| | 2,0 Ecoboost | 3) Coull | 04.2015 | | 13.0460-7313.2 | 607313 | BELAGSATZ | DG9C-2K021-EC , 1860105 | s. Abb. |



Bezeichnung

OE-Nummern
zu ATE
Artikelnummern



z.B. Vorsachnummern /
diverse

FORD

| | | | | | | | | | |
|------------------|-------------------|----------|---------|---------|----------------|--------|-----------------------|---------------------------------------|---------|
| GALAXY III (15-) | 2,0 TDCi | 3) Coull | 04.2015 | | 13.0460-7313.2 | 607313 | BELAGSATZ | DG9C-2K021-EC , 1860105 | s. Abb. |
| | 2,0 TDCi 4x4 | 3) Coull | 05.2015 | | 13.0460-7313.2 | 607313 | BELAGSATZ | DG9C-2K021-EC , 1860105 | s. Abb. |
| | 2,0 TDCi Bi-Turbo | 3) Coull | 04.2015 | | 13.0460-7313.2 | 607313 | BELAGSATZ | DG9C-2K021-EC , 1860105 | s. Abb. |
| KA II (08-) | 1,2 i 16V | 3) Coull | 01.2010 | | 24.3728-0536.2 | 590536 | KUPPLUNGSSEIL | 1735312 , AS51-7K553-AA , 55226950 | |
| KUGA I (08-12) | 2,0 TDCi | 3) Coull | 04.2008 | 12.2012 | 24.9145-0004.2 | 399008 | HYDRAULIC CONTROL UNI | BRYV-43-7A0 , 8M51-2B373-AA , 1692659 | |
| | | 3) Coull | 03.2010 | 12.2012 | 24.9145-0004.2 | 399008 | HYDRAULIC CONTROL UNI | BRYV-43-7A0 , 8M51-2B373-AA , 1692659 | |
| | 2,0 TDCi 4x4 | 3) Coull | 04.2008 | 12.2012 | 24.9145-0004.2 | 399008 | HYDRAULIC CONTROL UNI | BRYV-43-7A0 , 8M51-2B373-AA , 1692659 | |
| | | 3) Coull | 03.2010 | 12.2012 | 24.9145-0004.2 | 399008 | HYDRAULIC CONTROL UNI | BRYV-43-7A0 , 8M51-2B373-AA , 1692659 | |
| | 2,5 i | 3) Coull | 03.2009 | 12.2012 | 24.9145-0004.2 | 399008 | HYDRAULIC CONTROL UNI | BRYV-43-7A0 , 8M51-2B373-AA , 1692659 | |
| | 2,5 i 4x4 | 3) Coull | 11.2008 | 12.2012 | 24.9145-0004.2 | 399008 | HYDRAULIC CONTROL UNI | BRYV-43-7A0 , 8M51-2B373-AA , 1692659 | |
| MONDEO V (14-) | 1,5 EcoBoost | 3) Coull | 10.2014 | 01.2015 | 13.0460-7313.2 | 607313 | BELAGSATZ | DG9C-2K021-EC , 1860105 | s. Abb. |
| | 1,6 TDCi | 3) Coull | 10.2014 | 01.2015 | 13.0460-7313.2 | 607313 | BELAGSATZ | DG9C-2K021-EC , 1860105 | s. Abb. |
| | 2,0 EcoBoost | 3) Coull | 10.2014 | 01.2015 | 13.0460-7313.2 | 607313 | BELAGSATZ | DG9C-2K021-EC , 1860105 | s. Abb. |
| | 2,0 Hybrid | 3) Coull | 10.2014 | 01.2015 | 13.0460-7313.2 | 607313 | BELAGSATZ | DG9C-2K021-EC , 1860105 | s. Abb. |
| | 2,0 TDCi | 3) Coull | 10.2014 | 01.2015 | 13.0460-7313.2 | 607313 | BELAGSATZ | DG9C-2K021-EC , 1860105 | s. Abb. |
| S-MAX II (15-) | 1,5 EcoBoost | 3) Coull | 02.2015 | | 13.0460-7313.2 | 607313 | BELAGSATZ | DG9C-2K021-EC , 1860105 | s. Abb. |
| | 2,0 EcoBoost | 3) Coull | 02.2015 | | 13.0460-7313.2 | 607313 | BELAGSATZ | DG9C-2K021-EC , 1860105 | s. Abb. |
| | 2,0 TDCi | 3) Coull | 02.2015 | | 13.0460-7313.2 | 607313 | BELAGSATZ | DG9C-2K021-EC , 1860105 | s. Abb. |



Bezeichnung

OE-Nummern
zu ATE
Artikelnummern



z.B. Vorsachnummern /
diverse

FORD

| | | | | | | | | | |
|----------------|-------------------|----------|---------|--|----------------|--------|-----------|-------------------------|---------|
| S-MAX II (15-) | 2,0 TDCi 4x4 | 3) Coull | 02.2015 | | 13.0460-7313.2 | 607313 | BELAGSATZ | DG9C-2K021-EC , 1860105 | s. Abb. |
| | 2,0 TDCi Bi-Turbo | 3) Coull | 02.2015 | | 13.0460-7313.2 | 607313 | BELAGSATZ | DG9C-2K021-EC , 1860105 | s. Abb. |

HONDA

| | | | | | | | | | |
|-------------------------------|------------------|----------|---------|---------|----------------|--------|-----------|-------------------------------|---------|
| ACCORD VIII Kombi (08-15) | 2,0 VTEC (CW1) | 3) Coull | 07.2008 | 06.2015 | 13.0460-7291.2 | 607291 | BELAGSATZ | 45022-TL1-G01 , 45022-TL1-G00 | s. Abb. |
| | 2,2 i-DTEC (CW3) | 3) Coull | 07.2008 | 06.2015 | 13.0460-7291.2 | 607291 | BELAGSATZ | 45022-TL1-G01 , 45022-TL1-G00 | s. Abb. |
| | 2,4 VTEC (CW2) | 3) Coull | 07.2008 | 06.2015 | 13.0460-7291.2 | 607291 | BELAGSATZ | 45022-TL1-G01 , 45022-TL1-G00 | s. Abb. |
| ACCORD VIII Limousine (08-15) | 2,0 VTEC (CU1) | 3) Coull | 07.2008 | 06.2015 | 13.0460-7291.2 | 607291 | BELAGSATZ | 45022-TL1-G01 , 45022-TL1-G00 | s. Abb. |
| | 2,2 i-DTEC (CU3) | 3) Coull | 07.2008 | 06.2015 | 13.0460-7291.2 | 607291 | BELAGSATZ | 45022-TL1-G01 , 45022-TL1-G00 | s. Abb. |
| | 2,4 VTEC (CU2) | 3) Coull | 07.2008 | 06.2015 | 13.0460-7291.2 | 607291 | BELAGSATZ | 45022-TL1-G01 , 45022-TL1-G00 | s. Abb. |

JAGUAR

| | | | | | | | | | |
|----------------------|---------|----|---------|---------|----------------|--------|-------------|-----------------------|--|
| XJ (NAW,NBW) (97-03) | XJ8 3,2 | VL | 07.1997 | 05.2003 | 11.9601-9781.2 | 220991 | FAUSTSATTEL | JLM 21470 , JLM 11717 | |
| | XJ8 4,0 | VL | 07.1997 | 05.2003 | 11.9601-9781.2 | 220991 | FAUSTSATTEL | JLM 21470 , JLM 11717 | |
| | | VL | 10.1997 | 05.2003 | 11.9601-9781.2 | 220991 | FAUSTSATTEL | JLM 21470 , JLM 11717 | |



Bezeichnung

OE-Nummern
zu ATE
Artikelnummern



z.B. Vorsachnummern /
diverse

JEEP

| | | | | | | | | | |
|---------------------|-------------|----------|---------|--|----------------|--------|--------------|---------------------|--|
| RENEGADE (BU) (14-) | 1,4 | 3) Coull | 07.2014 | | 24.0128-0292.1 | 428292 | BREMSSCHEIBE | 51963548 , 51937304 | |
| | 1,4 4x4 | 3) Coull | 07.2014 | | 24.0128-0292.1 | 428292 | BREMSSCHEIBE | 51963548 , 51937304 | |
| | 1,6 | 3) Coull | 07.2014 | | 24.0128-0292.1 | 428292 | BREMSSCHEIBE | 51963548 , 51937304 | |
| | 2,0 CRD 4x4 | 3) Coull | 07.2014 | | 24.0128-0292.1 | 428292 | BREMSSCHEIBE | 51963548 , 51937304 | |

LANCIA

| | | | | | | | | | |
|----------------------------------|------------|----------|---------|--|----------------|--------|---------------|---------------------------------------|--|
| YPSILON / Chrysler Ypsilon (11-) | 1,2 | 3) Coull | 05.2011 | | 24.3728-0536.2 | 590536 | KUPPLUNGSSEIL | 1735312 , AS51-7K553-AA , 55226950 | |
| | 1,2 Bifuel | 3) Coull | 04.2015 | | 24.3728-0536.2 | 590536 | KUPPLUNGSSEIL | 1735312 , AS51-7K553-AA , 55226950 | |
| | | 3) Coull | 05.2011 | | 24.3728-0536.2 | 590536 | KUPPLUNGSSEIL | 1735312 , AS51-7K553-AA , 55226950 | |



Bezeichnung

OE-Nummern
zu ATE
Artikelnummern



z.B. Vorsachnummern /
diverse

MERCEDES BENZ

| | | | | | | | | | |
|-----------------------------------|-------------------|----|---------|---------|----------------|--------|-------------|---------------------------------|--|
| E-Klasse (S211) Kombi (03-09) | E 240 4-matic | VL | 07.2003 | 10.2009 | 24.3601-9770.5 | 240696 | FAUSTSATTEL | A 002 420 63 83 , 002 420 63 83 | |
| | | VR | 07.2003 | 10.2009 | 24.3601-9769.5 | 240695 | FAUSTSATTEL | A 002 420 64 83 , 002 420 64 83 | |
| | E 280 4-matic | VL | 05.2005 | 10.2009 | 24.3601-9770.5 | 240696 | FAUSTSATTEL | A 002 420 63 83 , 002 420 63 83 | |
| | | VR | 05.2005 | 10.2009 | 24.3601-9769.5 | 240695 | FAUSTSATTEL | A 002 420 64 83 , 002 420 64 83 | |
| | E 280 CDI 4-matic | VL | 05.2005 | 10.2009 | 24.3601-9770.5 | 240696 | FAUSTSATTEL | A 002 420 63 83 , 002 420 63 83 | |
| | | VR | 05.2005 | 10.2009 | 24.3601-9769.5 | 240695 | FAUSTSATTEL | A 002 420 64 83 , 002 420 64 83 | |
| | E 320 4-matic | VL | 07.2003 | 10.2009 | 24.3601-9770.5 | 240696 | FAUSTSATTEL | A 002 420 63 83 , 002 420 63 83 | |
| | | VR | 07.2003 | 10.2009 | 24.3601-9769.5 | 240695 | FAUSTSATTEL | A 002 420 64 83 , 002 420 64 83 | |
| | E 320 CDI 4-matic | VL | 05.2005 | 10.2009 | 24.3601-9770.5 | 240696 | FAUSTSATTEL | A 002 420 63 83 , 002 420 63 83 | |
| | | VR | 05.2005 | 10.2009 | 24.3601-9769.5 | 240695 | FAUSTSATTEL | A 002 420 64 83 , 002 420 64 83 | |
| | E 350 4-matic | VL | 12.2004 | 10.2009 | 24.3601-9770.5 | 240696 | FAUSTSATTEL | A 002 420 63 83 , 002 420 63 83 | |
| | | VR | 12.2004 | 10.2009 | 24.3601-9769.5 | 240695 | FAUSTSATTEL | A 002 420 64 83 , 002 420 64 83 | |
| E-Klasse (W211) Limousine (02-09) | E 240 4-matic | VL | 03.2003 | 02.2009 | 24.3601-9770.5 | 240696 | FAUSTSATTEL | A 002 420 63 83 , 002 420 63 83 | |
| | | VR | 03.2003 | 02.2009 | 24.3601-9769.5 | 240695 | FAUSTSATTEL | A 002 420 64 83 , 002 420 64 83 | |



Bezeichnung

OE-Nummern
zu ATE
Artikelnummern



z.B. Vorsachnummern /
diverse

MERCEDES BENZ

| | | | | | | | | | |
|---|-------------------|----|---------|---------|----------------|--------|-------------|---|----------------|
| E-Klasse (W211) Limousine (02-09) | E 280 4-matic | VL | 05.2005 | 02.2009 | 24.3601-9770.5 | 240696 | FAUSTSATTEL | A 002 420 63 83 , 002 420 63 83 | |
| | | VR | 05.2005 | 02.2009 | 24.3601-9769.5 | 240695 | FAUSTSATTEL | A 002 420 64 83 , 002 420 64 83 | |
| | E 280 CDI 4-matic | VL | 03.2005 | 02.2009 | 24.3601-9770.5 | 240696 | FAUSTSATTEL | A 002 420 63 83 , 002 420 63 83 | |
| | | VR | 03.2005 | 02.2009 | 24.3601-9769.5 | 240695 | FAUSTSATTEL | A 002 420 64 83 , 002 420 64 83 | |
| | E 320 4-matic | VL | 03.2003 | 02.2009 | 24.3601-9770.5 | 240696 | FAUSTSATTEL | A 002 420 63 83 , 002 420 63 83 | |
| | | VR | 03.2003 | 02.2009 | 24.3601-9769.5 | 240695 | FAUSTSATTEL | A 002 420 64 83 , 002 420 64 83 | |
| | E 320 CDI 4-matic | VL | 03.2005 | 02.2009 | 24.3601-9770.5 | 240696 | FAUSTSATTEL | A 002 420 63 83 , 002 420 63 83 | |
| | | VR | 03.2005 | 02.2009 | 24.3601-9769.5 | 240695 | FAUSTSATTEL | A 002 420 64 83 , 002 420 64 83 | |
| | E 350 4-matic | VL | 12.2004 | 02.2009 | 24.3601-9770.5 | 240696 | FAUSTSATTEL | A 002 420 63 83 , 002 420 63 83 | |
| | | VR | 12.2004 | 02.2009 | 24.3601-9769.5 | 240695 | FAUSTSATTEL | A 002 420 64 83 , 002 420 64 83 | |
| S-Klasse (W220) (98-06) | S 350 4-matic | VL | 06.2003 | 03.2006 | 24.3601-9770.5 | 240696 | FAUSTSATTEL | A 002 420 63 83 , 002 420 63 83 | |
| | | VR | 06.2003 | 03.2006 | 24.3601-9769.5 | 240695 | FAUSTSATTEL | A 002 420 64 83 , 002 420 64 83 | |
| Transporter (BM 901/902) SPRINTER (95-06) | 208 CDI | VL | 04.2000 | 05.2006 | 24.3601-8514.5 | 240688 | FAUSTSATTEL | 2D0 615 124 , A 901 420 47 01 , A 901 420 42 01 , A 901 420 40 01 , A 002 420 61 83 , 901 420 47 01 , 002 420 61 83 , 901 420 42 01 , 901 420 40 01 | 11.3601-8514.2 |



Bezeichnung

OE-Nummern
zu ATE
Artikelnummern



z.B. Vorsachnummern /
diverse

MERCEDES BENZ

| | | | | | | | | | |
|---|---------|----|---------|---------|----------------|--------|-------------|---|----------------|
| Transporter (BM 901/902) SPRINTER (95-06) | 208 D | VL | 02.1995 | 05.2006 | 24.3601-8514.5 | 240688 | FAUSTSATTEL | 2D0 615 124 , A 901 420 47 01 , A 901 420 42 01 , A 901 420 40 01 , A 002 420 61 83 , 901 420 47 01 , 002 420 61 83 , 901 420 42 01 , 901 420 40 01 | 11.3601-8514.2 |
| | 210 D | VL | 01.1997 | 05.2006 | 24.3601-8514.5 | 240688 | FAUSTSATTEL | 2D0 615 124 , A 901 420 47 01 , A 901 420 42 01 , A 901 420 40 01 , A 002 420 61 83 , 901 420 47 01 , 002 420 61 83 , 901 420 42 01 , 901 420 40 01 | 11.3601-8514.2 |
| | 211 CDI | VL | 04.2000 | 05.2006 | 24.3601-8514.5 | 240688 | FAUSTSATTEL | 2D0 615 124 , A 901 420 47 01 , A 901 420 42 01 , A 901 420 40 01 , A 002 420 61 83 , 901 420 47 01 , 002 420 61 83 , 901 420 42 01 , 901 420 40 01 | 11.3601-8514.2 |
| | 212 D | VL | 02.1995 | 05.2006 | 24.3601-8514.5 | 240688 | FAUSTSATTEL | 2D0 615 124 , A 901 420 47 01 , A 901 420 42 01 , A 901 420 40 01 , A 002 420 61 83 , 901 420 47 01 , 002 420 61 83 , 901 420 42 01 , 901 420 40 01 | 11.3601-8514.2 |
| | 213 CDI | VL | 04.2000 | 05.2006 | 24.3601-8514.5 | 240688 | FAUSTSATTEL | 2D0 615 124 , A 901 420 47 01 , A 901 420 42 01 , A 901 420 40 01 , A 002 420 61 83 , 901 420 47 01 , 002 420 61 83 , 901 420 42 01 , 901 420 40 01 | 11.3601-8514.2 |
| | 214 | VL | 02.1995 | 05.2006 | 24.3601-8514.5 | 240688 | FAUSTSATTEL | 2D0 615 124 , A 901 420 47 01 , A 901 420 42 01 , A 901 420 40 01 , A 002 420 61 83 , 901 420 47 01 , 002 420 61 83 , 901 420 42 01 , 901 420 40 01 | 11.3601-8514.2 |



Bezeichnung

OE-Nummern
zu ATE
Artikelnummern



z.B. Vorsachnummern /
diverse

MERCEDES BENZ

| | | | | | | | | | |
|---|---------|----|---------|---------|----------------|--------|-------------|---|----------------|
| Transporter (BM 901/902) SPRINTER (95-06) | 214 | VL | 04.2000 | 05.2006 | 24.3601-8514.5 | 240688 | FAUSTSATTEL | 2D0 615 124 , A 901 420 47 01 , A 901 420 42 01 , A 901 420 40 01 , A 002 420 61 83 , 901 420 47 01 , 002 420 61 83 , 901 420 42 01 , 901 420 40 01 | 11.3601-8514.2 |
| | 216 CDI | VL | 04.2000 | 05.2006 | 24.3601-8514.5 | 240688 | FAUSTSATTEL | 2D0 615 124 , A 901 420 47 01 , A 901 420 42 01 , A 901 420 40 01 , A 002 420 61 83 , 901 420 47 01 , 002 420 61 83 , 901 420 42 01 , 901 420 40 01 | 11.3601-8514.2 |
| Transporter (BM 903/904) SPRINTER (95-06) | 308 CDI | VL | 04.2000 | 05.2006 | 24.3601-8514.5 | 240688 | FAUSTSATTEL | 2D0 615 124 , A 901 420 47 01 , A 901 420 42 01 , A 901 420 40 01 , A 002 420 61 83 , 901 420 47 01 , 002 420 61 83 , 901 420 42 01 , 901 420 40 01 | 11.3601-8514.2 |
| | 308 D | VL | 02.1995 | 05.2006 | 24.3601-8514.5 | 240688 | FAUSTSATTEL | 2D0 615 124 , A 901 420 47 01 , A 901 420 42 01 , A 901 420 40 01 , A 002 420 61 83 , 901 420 47 01 , 002 420 61 83 , 901 420 42 01 , 901 420 40 01 | 11.3601-8514.2 |
| | 310 D | VL | 02.1995 | 05.2006 | 24.3601-8514.5 | 240688 | FAUSTSATTEL | 2D0 615 124 , A 901 420 47 01 , A 901 420 42 01 , A 901 420 40 01 , A 002 420 61 83 , 901 420 47 01 , 002 420 61 83 , 901 420 42 01 , 901 420 40 01 | 11.3601-8514.2 |
| | 311 CDI | VL | 04.2000 | 05.2006 | 24.3601-8514.5 | 240688 | FAUSTSATTEL | 2D0 615 124 , A 901 420 47 01 , A 901 420 42 01 , A 901 420 40 01 , A 002 420 61 83 , 901 420 47 01 , 002 420 61 83 , 901 420 42 01 , 901 420 40 01 | 11.3601-8514.2 |



Bezeichnung

OE-Nummern
zu ATE
Artikelnummern



z.B. Vorsachnummern /
diverse

MERCEDES BENZ

| | | | | | | | | | |
|---|---------|----|---------|---------|----------------|--------|-------------|---|----------------|
| Transporter (BM 903/904) SPRINTER (95-06) | 312 D | VL | 02.1995 | 05.2006 | 24.3601-8514.5 | 240688 | FAUSTSATTEL | 2D0 615 124 , A 901 420 47 01 , A 901 420 42 01 , A 901 420 40 01 , A 002 420 61 83 , 901 420 47 01 , 002 420 61 83 , 901 420 42 01 , 901 420 40 01 | 11.3601-8514.2 |
| | 313 CDI | VL | 04.2000 | 05.2006 | 24.3601-8514.5 | 240688 | FAUSTSATTEL | 2D0 615 124 , A 901 420 47 01 , A 901 420 42 01 , A 901 420 40 01 , A 002 420 61 83 , 901 420 47 01 , 002 420 61 83 , 901 420 42 01 , 901 420 40 01 | 11.3601-8514.2 |
| | 314 | VL | 02.1995 | 05.2006 | 24.3601-8514.5 | 240688 | FAUSTSATTEL | 2D0 615 124 , A 901 420 47 01 , A 901 420 42 01 , A 901 420 40 01 , A 002 420 61 83 , 901 420 47 01 , 002 420 61 83 , 901 420 42 01 , 901 420 40 01 | 11.3601-8514.2 |
| | | VL | 04.2000 | 05.2006 | 24.3601-8514.5 | 240688 | FAUSTSATTEL | 2D0 615 124 , A 901 420 47 01 , A 901 420 42 01 , A 901 420 40 01 , A 002 420 61 83 , 901 420 47 01 , 002 420 61 83 , 901 420 42 01 , 901 420 40 01 | 11.3601-8514.2 |
| | 316 CDI | VL | 04.2000 | 05.2006 | 24.3601-8514.5 | 240688 | FAUSTSATTEL | 2D0 615 124 , A 901 420 47 01 , A 901 420 42 01 , A 901 420 40 01 , A 002 420 61 83 , 901 420 47 01 , 002 420 61 83 , 901 420 42 01 , 901 420 40 01 | 11.3601-8514.2 |
| | 408 CDI | VL | 04.2000 | 05.2006 | 24.3601-8514.5 | 240688 | FAUSTSATTEL | 2D0 615 124 , A 901 420 47 01 , A 901 420 42 01 , A 901 420 40 01 , A 002 420 61 83 , 901 420 47 01 , 002 420 61 83 , 901 420 42 01 , 901 420 40 01 | 11.3601-8514.2 |



Bezeichnung

OE-Nummern
zu ATE
Artikelnummern



z.B. Vorsachnummern /
diverse

MERCEDES BENZ

| | | | | | | | | | |
|---|---------|----|---------|---------|----------------|--------|-------------|---|----------------|
| Transporter (BM 903/904) SPRINTER (95-06) | 408 D | VL | 06.1995 | 05.2006 | 24.3601-8514.5 | 240688 | FAUSTSATTEL | 2D0 615 124 , A 901 420 47 01 , A 901 420 42 01 , A 901 420 40 01 , A 002 420 61 83 , 901 420 47 01 , 002 420 61 83 , 901 420 42 01 , 901 420 40 01 | 11.3601-8514.2 |
| | 410 D | VL | 09.1996 | 05.2006 | 24.3601-8514.5 | 240688 | FAUSTSATTEL | 2D0 615 124 , A 901 420 47 01 , A 901 420 42 01 , A 901 420 40 01 , A 002 420 61 83 , 901 420 47 01 , 002 420 61 83 , 901 420 42 01 , 901 420 40 01 | 11.3601-8514.2 |
| | 411 CDI | VL | 04.2000 | 05.2006 | 24.3601-8514.5 | 240688 | FAUSTSATTEL | 2D0 615 124 , A 901 420 47 01 , A 901 420 42 01 , A 901 420 40 01 , A 002 420 61 83 , 901 420 47 01 , 002 420 61 83 , 901 420 42 01 , 901 420 40 01 | 11.3601-8514.2 |
| | 412 D | VL | 06.1995 | 05.2006 | 24.3601-8514.5 | 240688 | FAUSTSATTEL | 2D0 615 124 , A 901 420 47 01 , A 901 420 42 01 , A 901 420 40 01 , A 002 420 61 83 , 901 420 47 01 , 002 420 61 83 , 901 420 42 01 , 901 420 40 01 | 11.3601-8514.2 |
| | 413 CDI | VL | 04.2000 | 05.2006 | 24.3601-8514.5 | 240688 | FAUSTSATTEL | 2D0 615 124 , A 901 420 47 01 , A 901 420 42 01 , A 901 420 40 01 , A 002 420 61 83 , 901 420 47 01 , 002 420 61 83 , 901 420 42 01 , 901 420 40 01 | 11.3601-8514.2 |
| | 414 | VL | 04.2000 | 05.2006 | 24.3601-8514.5 | 240688 | FAUSTSATTEL | 2D0 615 124 , A 901 420 47 01 , A 901 420 42 01 , A 901 420 40 01 , A 002 420 61 83 , 901 420 47 01 , 002 420 61 83 , 901 420 42 01 , 901 420 40 01 | 11.3601-8514.2 |



Bezeichnung

OE-Nummern
zu ATE
Artikelnummern



z.B. Vorsachnummern /
diverse

MERCEDES BENZ

| | | | | | | | | | |
|---|---------|----|---------|---------|----------------|--------|-------------|---|----------------|
| Transporter (BM 903/904) SPRINTER (95-06) | 414 | VL | 06.1995 | 05.2006 | 24.3601-8514.5 | 240688 | FAUSTSATTEL | 2D0 615 124 , A 901 420 47 01 , A 901 420 42 01 , A 901 420 40 01 , A 002 420 61 83 , 901 420 47 01 , 002 420 61 83 , 901 420 42 01 , 901 420 40 01 | 11.3601-8514.2 |
| | 416 CDI | VL | 04.2000 | 05.2006 | 24.3601-8514.5 | 240688 | FAUSTSATTEL | 2D0 615 124 , A 901 420 47 01 , A 901 420 42 01 , A 901 420 40 01 , A 002 420 61 83 , 901 420 47 01 , 002 420 61 83 , 901 420 42 01 , 901 420 40 01 | 11.3601-8514.2 |
| VITO (BM638) (96-03) | 108 CDI | VL | 03.1999 | 08.2003 | 24.3601-8514.5 | 240688 | FAUSTSATTEL | 2D0 615 124 , A 901 420 47 01 , A 901 420 42 01 , A 901 420 40 01 , A 002 420 61 83 , 901 420 47 01 , 002 420 61 83 , 901 420 42 01 , 901 420 40 01 | 11.3601-8514.2 |
| | 108 D | VL | 03.1996 | 08.2003 | 24.3601-8514.5 | 240688 | FAUSTSATTEL | 2D0 615 124 , A 901 420 47 01 , A 901 420 42 01 , A 901 420 40 01 , A 002 420 61 83 , 901 420 47 01 , 002 420 61 83 , 901 420 42 01 , 901 420 40 01 | 11.3601-8514.2 |
| | 110 CDI | VL | 03.1999 | 08.2003 | 24.3601-8514.5 | 240688 | FAUSTSATTEL | 2D0 615 124 , A 901 420 47 01 , A 901 420 42 01 , A 901 420 40 01 , A 002 420 61 83 , 901 420 47 01 , 002 420 61 83 , 901 420 42 01 , 901 420 40 01 | 11.3601-8514.2 |
| | 110 D | VL | 03.1996 | 08.2003 | 24.3601-8514.5 | 240688 | FAUSTSATTEL | 2D0 615 124 , A 901 420 47 01 , A 901 420 42 01 , A 901 420 40 01 , A 002 420 61 83 , 901 420 47 01 , 002 420 61 83 , 901 420 42 01 , 901 420 40 01 | 11.3601-8514.2 |



Bezeichnung

OE-Nummern
zu ATE
Artikelnummern



z.B. Vorsachnummern /
diverse

MERCEDES BENZ

| | | | | | | | | | |
|--------------------------|-----------|----|---------|---------|----------------|--------|-------------|---|----------------|
| VITO (BM638) (96-03) | 112 CDI | VL | 03.1999 | 08.2003 | 24.3601-8514.5 | 240688 | FAUSTSATTEL | 2D0 615 124 , A 901 420 47 01 , A 901 420 42 01 , A 901 420 40 01 , A 002 420 61 83 , 901 420 47 01 , 002 420 61 83 , 901 420 42 01 , 901 420 40 01 | 11.3601-8514.2 |
| | 113 | VL | 03.1996 | 08.2003 | 24.3601-8514.5 | 240688 | FAUSTSATTEL | 2D0 615 124 , A 901 420 47 01 , A 901 420 42 01 , A 901 420 40 01 , A 002 420 61 83 , 901 420 47 01 , 002 420 61 83 , 901 420 42 01 , 901 420 40 01 | 11.3601-8514.2 |
| | 114 | VL | 12.1996 | 08.2003 | 24.3601-8514.5 | 240688 | FAUSTSATTEL | 2D0 615 124 , A 901 420 47 01 , A 901 420 42 01 , A 901 420 40 01 , A 002 420 61 83 , 901 420 47 01 , 002 420 61 83 , 901 420 42 01 , 901 420 40 01 | 11.3601-8514.2 |
| V-Klasse (BM638) (96-03) | V 200 | VL | 09.1996 | 08.2003 | 24.3601-8514.5 | 240688 | FAUSTSATTEL | 2D0 615 124 , A 901 420 47 01 , A 901 420 42 01 , A 901 420 40 01 , A 002 420 61 83 , 901 420 47 01 , 002 420 61 83 , 901 420 42 01 , 901 420 40 01 | 11.3601-8514.2 |
| | V 200 CDI | VL | 03.1999 | 08.2003 | 24.3601-8514.5 | 240688 | FAUSTSATTEL | 2D0 615 124 , A 901 420 47 01 , A 901 420 42 01 , A 901 420 40 01 , A 002 420 61 83 , 901 420 47 01 , 002 420 61 83 , 901 420 42 01 , 901 420 40 01 | 11.3601-8514.2 |
| | V 220 CDI | VL | 03.1999 | 08.2003 | 24.3601-8514.5 | 240688 | FAUSTSATTEL | 2D0 615 124 , A 901 420 47 01 , A 901 420 42 01 , A 901 420 40 01 , A 002 420 61 83 , 901 420 47 01 , 002 420 61 83 , 901 420 42 01 , 901 420 40 01 | 11.3601-8514.2 |



| | | | | | | | |
|--|----------|--|--|--|--------------------|---|--|
| | i | | | | Bezeichnung | OE-Nummern zu ATE Artikelnummern | i z.B. Vorsachnummern / diverse |
|--|----------|--|--|--|--------------------|---|--|

MERCEDES BENZ

| | | | | | | | | | |
|--------------------------|----------|----|---------|---------|----------------|--------|-------------|---|----------------|
| V-Klasse (BM638) (96-03) | V 230 | VL | 09.1996 | 08.2003 | 24.3601-8514.5 | 240688 | FAUSTSATTEL | 2D0 615 124 , A 901 420 47 01 , A 901 420 42 01 , A 901 420 40 01 , A 002 420 61 83 , 901 420 47 01 , 002 420 61 83 , 901 420 42 01 , 901 420 40 01 | 11.3601-8514.2 |
| | V 230 TD | VL | 09.1996 | 08.2003 | 24.3601-8514.5 | 240688 | FAUSTSATTEL | 2D0 615 124 , A 901 420 47 01 , A 901 420 42 01 , A 901 420 40 01 , A 002 420 61 83 , 901 420 47 01 , 002 420 61 83 , 901 420 42 01 , 901 420 40 01 | 11.3601-8514.2 |
| | V 280 | VL | 09.1997 | 08.2003 | 24.3601-8514.5 | 240688 | FAUSTSATTEL | 2D0 615 124 , A 901 420 47 01 , A 901 420 42 01 , A 901 420 40 01 , A 002 420 61 83 , 901 420 47 01 , 002 420 61 83 , 901 420 42 01 , 901 420 40 01 | 11.3601-8514.2 |



Bezeichnung

OE-Nummern
zu ATE
Artikelnummern




z.B. Vorsachnummern /
diverse

MINI

| | | | | | | | | | |
|-------------------|-----------|----------|---------|--|----------------|--------|-------------------|-----------------------------------|--|
| F54 Clubman (15-) | One | 3) Coull | 11.2015 | | 13.0470-2795.2 | LD2795 | CERAMIC BELAGSATZ | 34 10 6 863 292 , 34 11 6 860 016 | |
| | One D | 3) Coull | 11.2015 | | 13.0470-2795.2 | LD2795 | CERAMIC BELAGSATZ | 34 10 6 863 292 , 34 11 6 860 016 | |
| F55 (14-) | Cooper | 3) Coull | 10.2014 | | 13.0470-2795.2 | LD2795 | CERAMIC BELAGSATZ | 34 10 6 863 292 , 34 11 6 860 016 | |
| | Cooper D | 3) Coull | 10.2014 | | 13.0470-2795.2 | LD2795 | CERAMIC BELAGSATZ | 34 10 6 863 292 , 34 11 6 860 016 | |
| | One | 3) Coull | 10.2014 | | 13.0470-2795.2 | LD2795 | CERAMIC BELAGSATZ | 34 10 6 863 292 , 34 11 6 860 016 | |
| | One D | 3) Coull | 10.2014 | | 13.0470-2795.2 | LD2795 | CERAMIC BELAGSATZ | 34 10 6 863 292 , 34 11 6 860 016 | |
| | One First | 3) Coull | 03.2015 | | 13.0470-2795.2 | LD2795 | CERAMIC BELAGSATZ | 34 10 6 863 292 , 34 11 6 860 016 | |
| F56 (13-) | Cooper | 3) Coull | 11.2013 | | 13.0470-2795.2 | LD2795 | CERAMIC BELAGSATZ | 34 10 6 863 292 , 34 11 6 860 016 | |
| | Cooper D | 3) Coull | 11.2013 | | 13.0470-2795.2 | LD2795 | CERAMIC BELAGSATZ | 34 10 6 863 292 , 34 11 6 860 016 | |
| | One | 3) Coull | 06.2014 | | 13.0470-2795.2 | LD2795 | CERAMIC BELAGSATZ | 34 10 6 863 292 , 34 11 6 860 016 | |
| | | 3) Coull | 11.2013 | | 13.0470-2795.2 | LD2795 | CERAMIC BELAGSATZ | 34 10 6 863 292 , 34 11 6 860 016 | |
| | One D | 3) Coull | 11.2013 | | 13.0470-2795.2 | LD2795 | CERAMIC BELAGSATZ | 34 10 6 863 292 , 34 11 6 860 016 | |
| F57 Cabrio (15-) | Cooper | 3) Coull | 11.2015 | | 13.0470-2795.2 | LD2795 | CERAMIC BELAGSATZ | 34 10 6 863 292 , 34 11 6 860 016 | |
| | Cooper D | 3) Coull | 11.2015 | | 13.0470-2795.2 | LD2795 | CERAMIC BELAGSATZ | 34 10 6 863 292 , 34 11 6 860 016 | |



| | | | | | | | |
|---|----------|---|--|---|--------------------|---|--|
|  | i |  |  |  | Bezeichnung | OE-Nummern zu ATE Artikelnummern | i z.B. Vorsachnummern / diverse |
|---|----------|---|--|---|--------------------|---|--|

MINI

| | | | | | | | | | |
|------------------|-----|---------|---------|--|----------------|--------|-------------------|--------------------------------------|--|
| F57 Cabrio (15-) | One | 3) Coup | 03.2016 | | 13.0470-2795.2 | LD2795 | CERAMIC BELAGSATZ | 34 10 6 863 292 , 34 11 6 860 016 | |
|------------------|-----|---------|---------|--|----------------|--------|-------------------|--------------------------------------|--|



Bezeichnung

OE-Nummern
zu ATE
Artikelnummern




z.B. Vorsachnummern /
diverse

PEUGEOT

| | | | | | | | | | |
|----------------------|----------------|----------|---------|--|----------------|--------|-----------|---------------|---------|
| 308 II (T9) (13-) | 1,2 THP 110 | 3) Coull | 11.2013 | | 13.0460-3869.2 | 603869 | BELAGSATZ | 16 106 992 80 | s. Abb. |
| | 1,2 THP 130 | 3) Coull | 11.2013 | | 13.0460-3869.2 | 603869 | BELAGSATZ | 16 106 992 80 | s. Abb. |
| | 1,2 VTi 82 | 3) Coull | 09.2013 | | 13.0460-3869.2 | 603869 | BELAGSATZ | 16 106 992 80 | s. Abb. |
| | 1,6 GT 205 | 3) Coull | 06.2014 | | 13.0460-3869.2 | 603869 | BELAGSATZ | 16 106 992 80 | s. Abb. |
| | 1,6 GTi 250 | 3) Coull | 08.2015 | | 13.0460-3869.2 | 603869 | BELAGSATZ | 16 106 992 80 | s. Abb. |
| | 1,6 GTi 270 | 3) Coull | 06.2015 | | 13.0460-3869.2 | 603869 | BELAGSATZ | 16 106 992 80 | s. Abb. |
| | 1,6 HDi 100 | 3) Coull | 04.2014 | | 13.0460-3869.2 | 603869 | BELAGSATZ | 16 106 992 80 | s. Abb. |
| | 1,6 HDi 115 | 3) Coull | 09.2013 | | 13.0460-3869.2 | 603869 | BELAGSATZ | 16 106 992 80 | s. Abb. |
| | 1,6 HDi 120 | 3) Coull | 11.2013 | | 13.0460-3869.2 | 603869 | BELAGSATZ | 16 106 992 80 | s. Abb. |
| | 1,6 HDi 92 | 3) Coull | 09.2013 | | 13.0460-3869.2 | 603869 | BELAGSATZ | 16 106 992 80 | s. Abb. |
| | 1,6 THP 125 | 3) Coull | 09.2013 | | 13.0460-3869.2 | 603869 | BELAGSATZ | 16 106 992 80 | s. Abb. |
| | 1,6 THP 150 | 3) Coull | 03.2014 | | 13.0460-3869.2 | 603869 | BELAGSATZ | 16 106 992 80 | s. Abb. |
| | 1,6 THP 155 | 3) Coull | 09.2013 | | 13.0460-3869.2 | 603869 | BELAGSATZ | 16 106 992 80 | s. Abb. |
| | 1,6 THP 163 | 3) Coull | 06.2014 | | 13.0460-3869.2 | 603869 | BELAGSATZ | 16 106 992 80 | s. Abb. |
| | 1,6 VTi | 3) Coull | 03.2014 | | 13.0460-3869.2 | 603869 | BELAGSATZ | 16 106 992 80 | s. Abb. |
| | 2,0 GT HDi 180 | 3) Coull | 06.2014 | | 13.0460-3869.2 | 603869 | BELAGSATZ | 16 106 992 80 | s. Abb. |
| | 2,0 HDi 150 | 3) Coull | 11.2013 | | 13.0460-3869.2 | 603869 | BELAGSATZ | 16 106 992 80 | s. Abb. |
| 308 II SW (T9) (14-) | 1,2 e-THP | 3) Coull | 03.2014 | | 13.0460-3869.2 | 603869 | BELAGSATZ | 16 106 992 80 | s. Abb. |
| | | 3) Coull | 08.2014 | | 13.0460-3869.2 | 603869 | BELAGSATZ | 16 106 992 80 | s. Abb. |
| | 1,6 BlueHDi | 3) Coull | 03.2014 | | 13.0460-3869.2 | 603869 | BELAGSATZ | 16 106 992 80 | s. Abb. |
| | 1,6 e-HDi | 3) Coull | 03.2014 | | 13.0460-3869.2 | 603869 | BELAGSATZ | 16 106 992 80 | s. Abb. |



| | | | | | | | |
|---|----------|---|--|---|--------------------|---|--|
|  | i |  |  |  | Bezeichnung | OE-Nummern zu ATE Artikelnummern | i z.B. Vorsachnummern / diverse |
|---|----------|---|--|---|--------------------|---|--|

PEUGEOT

| | | | | | | | | | |
|----------------------|-----------------|----------|---------|--|----------------|--------|-----------|---------------|---------|
| 308 II SW (T9) (14-) | 1,6 GT 205 | 3) Coull | 06.2014 | | 13.0460-3869.2 | 603869 | BELAGSATZ | 16 106 992 80 | s. Abb. |
| | 1,6 HDi | 3) Coull | 03.2014 | | 13.0460-3869.2 | 603869 | BELAGSATZ | 16 106 992 80 | s. Abb. |
| | 1,6 THP | 3) Coull | 03.2014 | | 13.0460-3869.2 | 603869 | BELAGSATZ | 16 106 992 80 | s. Abb. |
| | 1,6 THP 125 | 3) Coull | 03.2014 | | 13.0460-3869.2 | 603869 | BELAGSATZ | 16 106 992 80 | s. Abb. |
| | 1,6 THP 150 | 3) Coull | 03.2014 | | 13.0460-3869.2 | 603869 | BELAGSATZ | 16 106 992 80 | s. Abb. |
| | 1,6 THP 163 | 3) Coull | 06.2014 | | 13.0460-3869.2 | 603869 | BELAGSATZ | 16 106 992 80 | s. Abb. |
| | 1,6 VTi | 3) Coull | 03.2014 | | 13.0460-3869.2 | 603869 | BELAGSATZ | 16 106 992 80 | s. Abb. |
| | 2,0 BlueHDi | 3) Coull | 03.2014 | | 13.0460-3869.2 | 603869 | BELAGSATZ | 16 106 992 80 | s. Abb. |
| | 2,0 BlueHDi 180 | 3) Coull | 06.2014 | | 13.0460-3869.2 | 603869 | BELAGSATZ | 16 106 992 80 | s. Abb. |
| | 2,0 GT HDi 180 | 3) Coull | 06.2014 | | 13.0460-3869.2 | 603869 | BELAGSATZ | 16 106 992 80 | s. Abb. |



Bezeichnung

OE-Nummern
zu ATE
Artikelnummern



z.B. Vorsachnummern /
diverse

RENAULT

| | | | | | | | | | |
|---------------------------------|-------------|----------|---------|--|----------------|--------|---------------|---------------|--|
| LOGAN II (L52) (13-) | 1,2 | 3) Coull | 11.2013 | | 24.5201-0280.3 | 331569 | BREMSSCHLAUCH | 46 21 072 11R | |
| | 1,5 dCi | 3) Coull | 12.2013 | | 24.5201-0280.3 | 331569 | BREMSSCHLAUCH | 46 21 072 11R | |
| | 1,6 | 3) Coull | 04.2014 | | 24.5201-0280.3 | 331569 | BREMSSCHLAUCH | 46 21 072 11R | |
| LOGAN II Kombi (L52) (13-) | 1,2 16V | 3) Coull | 12.2013 | | 24.5201-0280.3 | 331569 | BREMSSCHLAUCH | 46 21 072 11R | |
| | 1,2 16V LPG | 3) Coull | 12.2013 | | 24.5201-0280.3 | 331569 | BREMSSCHLAUCH | 46 21 072 11R | |
| | 1,5 dCi | 3) Coull | 12.2013 | | 24.5201-0280.3 | 331569 | BREMSSCHLAUCH | 46 21 072 11R | |
| | 1,6 | 3) Coull | 12.2013 | | 24.5201-0280.3 | 331569 | BREMSSCHLAUCH | 46 21 072 11R | |
| SANDERO II (13-) | 1,2 16V | 3) Coull | 12.2013 | | 24.5201-0280.3 | 331569 | BREMSSCHLAUCH | 46 21 072 11R | |
| | 1,2 16V LPG | 3) Coull | 12.2013 | | 24.5201-0280.3 | 331569 | BREMSSCHLAUCH | 46 21 072 11R | |
| | 1,5 dCi | 3) Coull | 12.2013 | | 24.5201-0280.3 | 331569 | BREMSSCHLAUCH | 46 21 072 11R | |
| | 1,6 | 3) Coull | 04.2014 | | 24.5201-0280.3 | 331569 | BREMSSCHLAUCH | 46 21 072 11R | |
| | | 3) Coull | 11.2013 | | 24.5201-0280.3 | 331569 | BREMSSCHLAUCH | 46 21 072 11R | |
| THALIA III / SYMBOL (L8_) (13-) | 0,9 TCe | 3) Coull | 11.2012 | | 24.5201-0280.3 | 331569 | BREMSSCHLAUCH | 46 21 072 11R | |
| | 1,2 16V | 3) Coull | 12.2013 | | 24.5201-0280.3 | 331569 | BREMSSCHLAUCH | 46 21 072 11R | |
| | 1,5 dCi | 3) Coull | 12.2013 | | 24.5201-0280.3 | 331569 | BREMSSCHLAUCH | 46 21 072 11R | |



Bezeichnung

OE-Nummern
zu ATE
Artikelnummern



z.B. Vorsachnummern /
diverse

SEAT

| | | | | | | | | | |
|---------------------------|-----------|----------|---------|---------|----------------|--------|-----------------------|-------------------------------|----------------|
| ALTEA (5P1) (04-15) | 1,2 TSI | 3) Coull | 04.2010 | | 24.9145-0001.2 | 399005 | HYDRAULIC CONTROL UNI | 1K0 698 517 B | |
| | 1,4 i 16V | 3) Coull | 05.2006 | | 24.9145-0001.2 | 399005 | HYDRAULIC CONTROL UNI | 1K0 698 517 B | |
| | 1,4 TSI | 3) Coull | 11.2007 | | 24.9145-0001.2 | 399005 | HYDRAULIC CONTROL UNI | 1K0 698 517 B | |
| | 1,6 i 16V | 3) Coull | 03.2004 | | 24.9145-0001.2 | 399005 | HYDRAULIC CONTROL UNI | 1K0 698 517 B | |
| | 1,6 LPG | 3) Coull | 09.2009 | | 24.9145-0001.2 | 399005 | HYDRAULIC CONTROL UNI | 1K0 698 517 B | |
| | 1,6 TDI | 3) Coull | 10.2009 | | 24.9145-0001.2 | 399005 | HYDRAULIC CONTROL UNI | 1K0 698 517 B | |
| | 1,8 TFSI | 3) Coull | 01.2007 | | 24.9145-0001.2 | 399005 | HYDRAULIC CONTROL UNI | 1K0 698 517 B | |
| | 1,9 TDI | 3) Coull | 03.2004 | | 24.9145-0001.2 | 399005 | HYDRAULIC CONTROL UNI | 1K0 698 517 B | |
| | 2,0 FSI | 3) Coull | 03.2004 | | 24.9145-0001.2 | 399005 | HYDRAULIC CONTROL UNI | 1K0 698 517 B | |
| | 2,0 TDI | 3) Coull | 03.2006 | | 24.9145-0001.2 | 399005 | HYDRAULIC CONTROL UNI | 1K0 698 517 B | |
| | | 3) Coull | 03.2004 | | 24.9145-0001.2 | 399005 | HYDRAULIC CONTROL UNI | 1K0 698 517 B | |
| | 2,0 TFSI | 3) Coull | 03.2006 | | 24.9145-0001.2 | 399005 | HYDRAULIC CONTROL UNI | 1K0 698 517 B | |
| CORDOBA III (6L2) (02-09) | 1,2 i | HL | 10.2002 | 06.2009 | 24.3344-1709.5 | 240810 | FAUSTSATTEL | 6Q0 615 423 B , 6Q0 615 423 A | 24.3344-1709.7 |
| | 1,4 i 16V | HL | 10.2002 | 06.2009 | 24.3344-1709.5 | 240810 | FAUSTSATTEL | 6Q0 615 423 B , 6Q0 615 423 A | 24.3344-1709.7 |
| | 1,4 TDI | HL | 10.2002 | 06.2009 | 24.3344-1709.5 | 240810 | FAUSTSATTEL | 6Q0 615 423 B , 6Q0 615 423 A | 24.3344-1709.7 |
| | 1,6 i 16V | HL | 02.2003 | 06.2009 | 24.3344-1709.5 | 240810 | FAUSTSATTEL | 6Q0 615 423 B , 6Q0 615 423 A | 24.3344-1709.7 |
| | 1,9 SDI | HL | 10.2002 | 06.2009 | 24.3344-1709.5 | 240810 | FAUSTSATTEL | 6Q0 615 423 B , 6Q0 615 423 A | 24.3344-1709.7 |
| | 1,9 TDI | HL | 10.2002 | 06.2009 | 24.3344-1709.5 | 240810 | FAUSTSATTEL | 6Q0 615 423 B , 6Q0 615 423 A | 24.3344-1709.7 |



Bezeichnung

OE-Nummern
zu ATE
Artikelnummern



z.B. Vorsachnummern /
diverse

SEAT

| CORDOBA III (6L2) (02-09) | 2,0 i 16V | HL | 10.2002 | 06.2009 | 24.3344-1709.5 | 240810 | FAUSTSATTEL | 6Q0 615 423 B , 6Q0 615 423 A | 24.3344-1709.7 |
|---------------------------|---------------|----------|---------|---------|----------------|--------|------------------------|-------------------------------|----------------|
| EXEO / ST (09-13) | 1,6 | 3) Coull | 04.2009 | 06.2013 | 11.0230-0807.1 | 260134 | CALIPER MOUNT. BRACKET | 4F0 615 125 | |
| | 1,8 T | 3) Coull | 04.2009 | 06.2013 | 11.0230-0807.1 | 260134 | CALIPER MOUNT. BRACKET | 4F0 615 125 | |
| | 1,8 TSI | 3) Coull | 09.2010 | 06.2013 | 11.0230-0807.1 | 260134 | CALIPER MOUNT. BRACKET | 4F0 615 125 | |
| | | 3) Coull | 05.2010 | 06.2013 | 11.0230-0807.1 | 260134 | CALIPER MOUNT. BRACKET | 4F0 615 125 | |
| | 2,0 TDI | 3) Coull | 04.2009 | 06.2013 | 11.0230-0807.1 | 260134 | CALIPER MOUNT. BRACKET | 4F0 615 125 | |
| | 2,0 TFSI | 3) Coull | 04.2009 | 06.2013 | 11.0230-0807.1 | 260134 | CALIPER MOUNT. BRACKET | 4F0 615 125 | |
| IBIZA IV (6L1) (02-10) | 1,2 | HL | 06.2007 | 05.2008 | 24.3344-1709.5 | 240810 | FAUSTSATTEL | 6Q0 615 423 B , 6Q0 615 423 A | 24.3344-1709.7 |
| | 1,2 i | HL | 02.2002 | 02.2010 | 24.3344-1709.5 | 240810 | FAUSTSATTEL | 6Q0 615 423 B , 6Q0 615 423 A | 24.3344-1709.7 |
| | 1,2 i 12V | HL | 05.2006 | 02.2010 | 24.3344-1709.5 | 240810 | FAUSTSATTEL | 6Q0 615 423 B , 6Q0 615 423 A | 24.3344-1709.7 |
| | 1,4 i 16V | HL | 05.2006 | 02.2010 | 24.3344-1709.5 | 240810 | FAUSTSATTEL | 6Q0 615 423 B , 6Q0 615 423 A | 24.3344-1709.7 |
| | | HL | 02.2002 | 02.2010 | 24.3344-1709.5 | 240810 | FAUSTSATTEL | 6Q0 615 423 B , 6Q0 615 423 A | 24.3344-1709.7 |
| | 1,4 TDI | HL | 05.2005 | 02.2010 | 24.3344-1709.5 | 240810 | FAUSTSATTEL | 6Q0 615 423 B , 6Q0 615 423 A | 24.3344-1709.7 |
| | | HL | 02.2002 | 02.2010 | 24.3344-1709.5 | 240810 | FAUSTSATTEL | 6Q0 615 423 B , 6Q0 615 423 A | 24.3344-1709.7 |
| | 1,6 i 16V | HL | 02.2003 | 02.2010 | 24.3344-1709.5 | 240810 | FAUSTSATTEL | 6Q0 615 423 B , 6Q0 615 423 A | 24.3344-1709.7 |
| | 1,8 T Cupra R | HL | 01.2004 | 02.2010 | 24.3344-1709.5 | 240810 | FAUSTSATTEL | 6Q0 615 423 B , 6Q0 615 423 A | 24.3344-1709.7 |



Bezeichnung

OE-Nummern
zu ATE
Artikelnummern



z.B. Vorsachnummern /
diverse

SEAT

| Modelle | Motor | HL | Start | Ende | ATE | ATE | Bezeichnung | OE-Nummern zu ATE Artikelnummern | z.B. Vorsachnummern / diverse |
|-----------------------------------|---------------------|----------|---------|---------|----------------|--------|-----------------------|----------------------------------|-------------------------------|
| IBIZA IV (6L1) (02-10) | 1,8 T FR | HL | 12.2003 | 02.2010 | 24.3344-1709.5 | 240810 | FAUSTSATTEL | 6Q0 615 423 B , 6Q0 615 423 A | 24.3344-1709.7 |
| | 1,9 SDI | HL | 02.2002 | 02.2010 | 24.3344-1709.5 | 240810 | FAUSTSATTEL | 6Q0 615 423 B , 6Q0 615 423 A | 24.3344-1709.7 |
| | 1,9 TDI | HL | 02.2002 | 02.2010 | 24.3344-1709.5 | 240810 | FAUSTSATTEL | 6Q0 615 423 B , 6Q0 615 423 A | 24.3344-1709.7 |
| | 1,9 TDI Cupra R | HL | 03.2004 | 02.2008 | 24.3344-1709.5 | 240810 | FAUSTSATTEL | 6Q0 615 423 B , 6Q0 615 423 A | 24.3344-1709.7 |
| | 2 | HL | 04.2002 | 02.2010 | 24.3344-1709.5 | 240810 | FAUSTSATTEL | 6Q0 615 423 B , 6Q0 615 423 A | 24.3344-1709.7 |
| IBIZA V (6J/6P) / ST / SC (08-17) | 1,4 TSI | HL | 06.2009 | | 24.3344-1709.5 | 240810 | FAUSTSATTEL | 6Q0 615 423 B , 6Q0 615 423 A | 24.3344-1709.7 |
| | 1,4 TSI FR | HL | 12.2013 | | 24.3344-1709.5 | 240810 | FAUSTSATTEL | 6Q0 615 423 B , 6Q0 615 423 A | 24.3344-1709.7 |
| LEON II (1P1) (05-12) | 1,2 TSI | 3) Coull | 02.2010 | 10.2012 | 24.9145-0001.2 | 399005 | HYDRAULIC CONTROL UNI | 1K0 698 517 B | |
| | 1,4 i 16V | 3) Coull | 06.2006 | 10.2012 | 24.9145-0001.2 | 399005 | HYDRAULIC CONTROL UNI | 1K0 698 517 B | |
| | 1,4 TSI | 3) Coull | 11.2007 | 10.2012 | 24.9145-0001.2 | 399005 | HYDRAULIC CONTROL UNI | 1K0 698 517 B | |
| | 1,6 i | 3) Coull | 08.2005 | 10.2012 | 24.9145-0001.2 | 399005 | HYDRAULIC CONTROL UNI | 1K0 698 517 B | |
| | 1,6 LPG / Multifuel | 3) Coull | 12.2009 | 10.2012 | 24.9145-0001.2 | 399005 | HYDRAULIC CONTROL UNI | 1K0 698 517 B | |
| | 1,6 TDI | 3) Coull | 11.2010 | 10.2012 | 24.9145-0001.2 | 399005 | HYDRAULIC CONTROL UNI | 1K0 698 517 B | |
| | 1,6 TDI Ecomotive | 3) Coull | 02.2010 | 10.2012 | 24.9145-0001.2 | 399005 | HYDRAULIC CONTROL UNI | 1K0 698 517 B | |
| | 1,8 TSI | 3) Coull | 06.2007 | 10.2012 | 24.9145-0001.2 | 399005 | HYDRAULIC CONTROL UNI | 1K0 698 517 B | |
| | 1,9 TDI | 3) Coull | 08.2005 | 10.2012 | 24.9145-0001.2 | 399005 | HYDRAULIC CONTROL UNI | 1K0 698 517 B | |
| | 2,0 Cupra R | 3) Coull | 11.2006 | 10.2012 | 24.9145-0001.2 | 399005 | HYDRAULIC CONTROL UNI | 1K0 698 517 B | |
| | 2,0 FSI | 3) Coull | 08.2005 | 10.2012 | 24.9145-0001.2 | 399005 | HYDRAULIC CONTROL UNI | 1K0 698 517 B | |



Bezeichnung

OE-Nummern
zu ATE
Artikelnummern



z.B. Vorsachnummern /
diverse

SEAT

| | | | | | | | | | |
|--------------------------|-----------|----------|---------|---------|----------------|--------|-----------------------|---------------|--|
| LEON II (1P1) (05-12) | 2,0 TDI | 3) Coull | 02.2006 | 10.2012 | 24.9145-0001.2 | 399005 | HYDRAULIC CONTROL UNI | 1K0 698 517 B | |
| | | 3) Coull | 08.2005 | 10.2012 | 24.9145-0001.2 | 399005 | HYDRAULIC CONTROL UNI | 1K0 698 517 B | |
| | 2,0 TFSI | 3) Coull | 08.2005 | 10.2012 | 24.9145-0001.2 | 399005 | HYDRAULIC CONTROL UNI | 1K0 698 517 B | |
| | | 3) Coull | 09.2005 | 10.2012 | 24.9145-0001.2 | 399005 | HYDRAULIC CONTROL UNI | 1K0 698 517 B | |
| | | 3) Coull | 11.2006 | 10.2012 | 24.9145-0001.2 | 399005 | HYDRAULIC CONTROL UNI | 1K0 698 517 B | |
| TOLEDO III (5P2) (05-09) | 1,4 16V | 3) Coull | 05.2006 | 03.2009 | 24.9145-0001.2 | 399005 | HYDRAULIC CONTROL UNI | 1K0 698 517 B | |
| | 1,4 TSI | 3) Coull | 11.2007 | 03.2009 | 24.9145-0001.2 | 399005 | HYDRAULIC CONTROL UNI | 1K0 698 517 B | |
| | 1,6 i 16V | 3) Coull | 10.2004 | 03.2009 | 24.9145-0001.2 | 399005 | HYDRAULIC CONTROL UNI | 1K0 698 517 B | |
| | 1,8 TFSI | 3) Coull | 01.2007 | 03.2009 | 24.9145-0001.2 | 399005 | HYDRAULIC CONTROL UNI | 1K0 698 517 B | |
| | 1,9 TDI | 3) Coull | 10.2004 | 03.2009 | 24.9145-0001.2 | 399005 | HYDRAULIC CONTROL UNI | 1K0 698 517 B | |
| | 2,0 FSI | 3) Coull | 10.2004 | 03.2009 | 24.9145-0001.2 | 399005 | HYDRAULIC CONTROL UNI | 1K0 698 517 B | |
| | 2,0 TDI | 3) Coull | 01.2006 | 03.2009 | 24.9145-0001.2 | 399005 | HYDRAULIC CONTROL UNI | 1K0 698 517 B | |
| | | 3) Coull | 10.2004 | 03.2009 | 24.9145-0001.2 | 399005 | HYDRAULIC CONTROL UNI | 1K0 698 517 B | |
| | 2,0 TFSI | 3) Coull | 11.2005 | 03.2009 | 24.9145-0001.2 | 399005 | HYDRAULIC CONTROL UNI | 1K0 698 517 B | |



Bezeichnung

OE-Nummern
zu ATE
Artikelnummern



z.B. Vorsachnummern /
diverse

SKODA

| | | | | | | | | | |
|-------------------------|-------------|----------|---------|---------|----------------|--------|-----------------------|---|--|
| OCTAVIA II (1Z) (04-13) | 1,4 i 16V | 3) Coull | 06.2004 | 12.2008 | 24.9145-0001.2 | 399005 | HYDRAULIC CONTROL UNI | 1K0 698 517 B | |
| | 1,4 TSI | 3) Coull | 11.2008 | 12.2008 | 24.9145-0001.2 | 399005 | HYDRAULIC CONTROL UNI | 1K0 698 517 B | |
| | 1,6 FSI | 3) Coull | 06.2004 | 12.2008 | 24.9145-0001.2 | 399005 | HYDRAULIC CONTROL UNI | 1K0 698 517 B | |
| | 1,6 i 16V | 3) Coull | 06.2004 | 12.2008 | 24.9145-0001.2 | 399005 | HYDRAULIC CONTROL UNI | 1K0 698 517 B | |
| | 1,8 TSI | 3) Coull | 06.2007 | 12.2008 | 24.9145-0001.2 | 399005 | HYDRAULIC CONTROL UNI | 1K0 698 517 B | |
| | 1,8 TSI 4x4 | 3) Coull | 11.2008 | 12.2008 | 24.9145-0001.2 | 399005 | HYDRAULIC CONTROL UNI | 1K0 698 517 B | |
| | 1,9 TDI | 3) Coull | 06.2004 | 12.2008 | 24.9145-0001.2 | 399005 | HYDRAULIC CONTROL UNI | 1K0 698 517 B | |
| | 1,9 TDI 4x4 | 3) Coull | 11.2004 | 12.2008 | 24.9145-0001.2 | 399005 | HYDRAULIC CONTROL UNI | 1K0 698 517 B | |
| | 2,0 FSI | 3) Coull | 11.2004 | 12.2008 | 24.9145-0001.2 | 399005 | HYDRAULIC CONTROL UNI | 1K0 698 517 B | |
| | 2,0 FSI 4x4 | 3) Coull | 11.2004 | 12.2008 | 24.9145-0001.2 | 399005 | HYDRAULIC CONTROL UNI | 1K0 698 517 B | |
| | 2,0 RS | 3) Coull | 10.2005 | 12.2008 | 24.9145-0001.2 | 399005 | HYDRAULIC CONTROL UNI | 1K0 698 517 B | |
| | 2,0 TDI | 3) Coull | 06.2004 | 12.2008 | 24.9145-0001.2 | 399005 | HYDRAULIC CONTROL UNI | 1K0 698 517 B | |
| | 2,0 TDI 4x4 | 3) Coull | 07.2006 | 12.2008 | 24.9145-0001.2 | 399005 | HYDRAULIC CONTROL UNI | 1K0 698 517 B | |
| | 2,0 TDI RS | 3) Coull | 04.2006 | 12.2008 | 24.9145-0001.2 | 399005 | HYDRAULIC CONTROL UNI | 1K0 698 517 B | |
| OCTAVIA III (5E) (12-) | 1,0 TSI | 3) Coull | 05.2016 | | 13.0470-2621.2 | LD2621 | CERAMIC BELAGSATZ | 3C0 698 451 C , 1K0 698 451 K , 1K0 698 451 E , 3C0 698 451 A , 1K0 698 451 B | |
| | 1,2 TSI | 3) Coull | 02.2013 | | 13.0470-2621.2 | LD2621 | CERAMIC BELAGSATZ | 3C0 698 451 C , 1K0 698 451 K , 1K0 698 451 E , 3C0 698 451 A , 1K0 698 451 B | |
| | | 3) Coull | 05.2015 | | 13.0470-2621.2 | LD2621 | CERAMIC BELAGSATZ | 3C0 698 451 C , 1K0 698 451 K , 1K0 698 451 E , 3C0 698 451 A , 1K0 698 451 B | |



Bezeichnung

OE-Nummern
zu ATE
Artikelnummern



z.B. Vorsachnummern /
diverse

SKODA

| OCTAVIA III (5E) (12-) | 1,4 TSI | 3) Coull | 05.2015 | | 13.0470-2621.2 | LD2621 | CERAMIC BELAGSATZ | 3C0 698 451 C , 1K0 698 451 K , 1K0 698 451 E , 3C0 698 451 A , 1K0 698 451 B | |
|------------------------|---------------|----------|---------|--|----------------|--------|-------------------|---|--|
| | | 3) Coull | 11.2012 | | 13.0470-2621.2 | LD2621 | CERAMIC BELAGSATZ | 3C0 698 451 C , 1K0 698 451 K , 1K0 698 451 E , 3C0 698 451 A , 1K0 698 451 B | |
| | 1,4 TSI G-TEC | 3) Coull | 11.2013 | | 13.0470-2621.2 | LD2621 | CERAMIC BELAGSATZ | 3C0 698 451 C , 1K0 698 451 K , 1K0 698 451 E , 3C0 698 451 A , 1K0 698 451 B | |
| | 1,6 | 3) Coull | 01.2014 | | 13.0470-2621.2 | LD2621 | CERAMIC BELAGSATZ | 3C0 698 451 C , 1K0 698 451 K , 1K0 698 451 E , 3C0 698 451 A , 1K0 698 451 B | |
| | 1,6 TDI | 3) Coull | 02.2017 | | 13.0470-2621.2 | LD2621 | CERAMIC BELAGSATZ | 3C0 698 451 C , 1K0 698 451 K , 1K0 698 451 E , 3C0 698 451 A , 1K0 698 451 B | |
| | | 3) Coull | 02.2013 | | 13.0470-2621.2 | LD2621 | CERAMIC BELAGSATZ | 3C0 698 451 C , 1K0 698 451 K , 1K0 698 451 E , 3C0 698 451 A , 1K0 698 451 B | |
| | 1,6 TDI 4x4 | 3) Coull | 05.2015 | | 13.0470-2621.2 | LD2621 | CERAMIC BELAGSATZ | 3C0 698 451 C , 1K0 698 451 K , 1K0 698 451 E , 3C0 698 451 A , 1K0 698 451 B | |
| | | 3) Coull | 11.2012 | | 13.0470-2621.2 | LD2621 | CERAMIC BELAGSATZ | 3C0 698 451 C , 1K0 698 451 K , 1K0 698 451 E , 3C0 698 451 A , 1K0 698 451 B | |
| | 1,8 TSI | 3) Coull | 11.2012 | | 13.0470-2621.2 | LD2621 | CERAMIC BELAGSATZ | 3C0 698 451 C , 1K0 698 451 K , 1K0 698 451 E , 3C0 698 451 A , 1K0 698 451 B | |
| | 1,8 TSI 4x4 | 3) Coull | 11.2012 | | 13.0470-2621.2 | LD2621 | CERAMIC BELAGSATZ | 3C0 698 451 C , 1K0 698 451 K , 1K0 698 451 E , 3C0 698 451 A , 1K0 698 451 B | |
| | 2,0 TDI | 3) Coull | 11.2012 | | 13.0470-2621.2 | LD2621 | CERAMIC BELAGSATZ | 3C0 698 451 C , 1K0 698 451 K , 1K0 698 451 E , 3C0 698 451 A , 1K0 698 451 B | |



Bezeichnung

OE-Nummern
zu ATE
Artikelnummern






z.B. Vorsachnummern /
diverse

SKODA

| OCTAVIA III (5E) (12-) | 2,0 TDI | 3) Coull | 05.2013 | | 13.0470-2621.2 | LD2621 | CERAMIC BELAGSATZ | 3C0 698 451 C , 1K0 698 451 K , 1K0 698 451 E , 3C0 698 451 A , 1K0 698 451 B | |
|------------------------|-------------|----------|---------|---------|----------------|--------|------------------------|---|--|
| | | 3) Coull | 02.2013 | | 13.0470-2621.2 | LD2621 | CERAMIC BELAGSATZ | 3C0 698 451 C , 1K0 698 451 K , 1K0 698 451 E , 3C0 698 451 A , 1K0 698 451 B | |
| | 2,0 TDI 4x4 | 3) Coull | 09.2014 | | 13.0470-2621.2 | LD2621 | CERAMIC BELAGSATZ | 3C0 698 451 C , 1K0 698 451 K , 1K0 698 451 E , 3C0 698 451 A , 1K0 698 451 B | |
| | | 3) Coull | 11.2012 | | 13.0470-2621.2 | LD2621 | CERAMIC BELAGSATZ | 3C0 698 451 C , 1K0 698 451 K , 1K0 698 451 E , 3C0 698 451 A , 1K0 698 451 B | |
| | 2,0 TSI RS | 3) Coull | 02.2017 | | 13.0470-2621.2 | LD2621 | CERAMIC BELAGSATZ | 3C0 698 451 C , 1K0 698 451 K , 1K0 698 451 E , 3C0 698 451 A , 1K0 698 451 B | |
| | | 3) Coull | 05.2013 | | 13.0470-2621.2 | LD2621 | CERAMIC BELAGSATZ | 3C0 698 451 C , 1K0 698 451 K , 1K0 698 451 E , 3C0 698 451 A , 1K0 698 451 B | |
| | | 3) Coull | 05.2015 | | 13.0470-2621.2 | LD2621 | CERAMIC BELAGSATZ | 3C0 698 451 C , 1K0 698 451 K , 1K0 698 451 E , 3C0 698 451 A , 1K0 698 451 B | |
| SUPERB II (08-15) | 1,4 TSI | 3) Coull | 08.2008 | 02.2015 | 11.0230-0663.1 | 260131 | CALIPER MOUNT. BRACKET | 1K0 615 125 B | |
| | 1,6 TDI | 3) Coull | 09.2010 | 02.2015 | 11.0230-0663.1 | 260131 | CALIPER MOUNT. BRACKET | 1K0 615 125 B | |
| | 1,8 TFSI | 3) Coull | 08.2008 | 02.2015 | 11.0230-0663.1 | 260131 | CALIPER MOUNT. BRACKET | 1K0 615 125 B | |
| | 1,8 TSI 4x4 | 3) Coull | 10.2008 | 02.2015 | 11.0230-0663.1 | 260131 | CALIPER MOUNT. BRACKET | 1K0 615 125 B | |
| | 1,9 TDI | 3) Coull | 08.2008 | 02.2015 | 11.0230-0663.1 | 260131 | CALIPER MOUNT. BRACKET | 1K0 615 125 B | |
| | 2,0 TDI | 3) Coull | 08.2008 | 02.2015 | 11.0230-0663.1 | 260131 | CALIPER MOUNT. BRACKET | 1K0 615 125 B | |
| | 2,0 TDI 4x4 | 3) Coull | 10.2008 | 02.2015 | 11.0230-0663.1 | 260131 | CALIPER MOUNT. BRACKET | 1K0 615 125 B | |
| | 2,0 TSI | 3) Coull | 05.2010 | 02.2015 | 11.0230-0663.1 | 260131 | CALIPER MOUNT. BRACKET | 1K0 615 125 B | |



| | | | | | | | |
|---|----------|---|--|---|--------------------|---|--|
|  | i |  |  |  | Bezeichnung | OE-Nummern zu ATE Artikelnummern | i z.B. Vorsachnummern / diverse |
|---|----------|---|--|---|--------------------|---|--|

SKODA

| Model | Engine | Configuration | Start Date | End Date | ATE Part No. | ATE Part No. | Description | OE Part No. | |
|-------------------------|----------------|---------------|------------|----------|----------------|--------------|------------------------|---------------|--|
| SUPERB II (08-15) | 3,6 FSI V6 4x4 | 3) Coull | 11.2008 | 02.2015 | 11.0230-0663.1 | 260131 | CALIPER MOUNT. BRACKET | 1K0 615 125 B | |
| SUPERB II Combi (09-15) | 1,4 TSI | 3) Coull | 11.2009 | 02.2015 | 11.0230-0663.1 | 260131 | CALIPER MOUNT. BRACKET | 1K0 615 125 B | |
| | 1,6 TDI | 3) Coull | 09.2010 | 02.2015 | 11.0230-0663.1 | 260131 | CALIPER MOUNT. BRACKET | 1K0 615 125 B | |
| | 1,8 TSI | 3) Coull | 11.2009 | 02.2015 | 11.0230-0663.1 | 260131 | CALIPER MOUNT. BRACKET | 1K0 615 125 B | |
| | 1,8 TSI 4x4 | 3) Coull | 11.2009 | 02.2015 | 11.0230-0663.1 | 260131 | CALIPER MOUNT. BRACKET | 1K0 615 125 B | |
| | 1,9 TDI | 3) Coull | 10.2009 | 02.2015 | 11.0230-0663.1 | 260131 | CALIPER MOUNT. BRACKET | 1K0 615 125 B | |
| | 2,0 TDI | 3) Coull | 11.2009 | 02.2015 | 11.0230-0663.1 | 260131 | CALIPER MOUNT. BRACKET | 1K0 615 125 B | |
| | 2,0 TDI 4x4 | 3) Coull | 11.2009 | 02.2015 | 11.0230-0663.1 | 260131 | CALIPER MOUNT. BRACKET | 1K0 615 125 B | |
| | 2,0 TSI | 3) Coull | 05.2010 | 02.2015 | 11.0230-0663.1 | 260131 | CALIPER MOUNT. BRACKET | 1K0 615 125 B | |
| | 3,6 V6 4x4 | 3) Coull | 11.2009 | 02.2015 | 11.0230-0663.1 | 260131 | CALIPER MOUNT. BRACKET | 1K0 615 125 B | |



Bezeichnung

OE-Nummern
zu ATE
Artikelnummern



z.B. Vorsachnummern /
diverse

VOLKSWAGEN

| | | | | | | | | | |
|-------------------|-------------------|----------|---------|---------|----------------|--------|-----------------------|---------------|--|
| AMAROK (10-) | 2,0 BiTDI | 3) Coull | 11.2011 | | 03.2126-5132.3 | 011012 | TANDEM MASTER CYLINDE | 2H0 611 019 | |
| | | 3) Coull | 09.2010 | | 03.2126-5132.3 | 011012 | TANDEM MASTER CYLINDE | 2H0 611 019 | |
| | 2,0 BiTDI 4motion | 3) Coull | 09.2010 | | 03.2126-5132.3 | 011012 | TANDEM MASTER CYLINDE | 2H0 611 019 | |
| | 2,0 TDI | 3) Coull | 07.2012 | | 03.2126-5132.3 | 011012 | TANDEM MASTER CYLINDE | 2H0 611 019 | |
| | | 3) Coull | 09.2010 | | 03.2126-5132.3 | 011012 | TANDEM MASTER CYLINDE | 2H0 611 019 | |
| | 2,0 TDI 4motion | 3) Coull | 06.2012 | | 03.2126-5132.3 | 011012 | TANDEM MASTER CYLINDE | 2H0 611 019 | |
| | | 3) Coull | 09.2010 | | 03.2126-5132.3 | 011012 | TANDEM MASTER CYLINDE | 2H0 611 019 | |
| | | 3) Coull | 11.2011 | | 03.2126-5132.3 | 011012 | TANDEM MASTER CYLINDE | 2H0 611 019 | |
| | 2,0 TSI | 3) Coull | 12.2010 | | 03.2126-5132.3 | 011012 | TANDEM MASTER CYLINDE | 2H0 611 019 | |
| | 3,0 TDI 4motion | 3) Coull | 09.2016 | | 03.2126-5132.3 | 011012 | TANDEM MASTER CYLINDE | 2H0 611 019 | |
| | | 3) Coull | 06.2016 | | 03.2126-5132.3 | 011012 | TANDEM MASTER CYLINDE | 2H0 611 019 | |
| CADDY III (04-15) | 1,2 TSI | 3) Coull | 09.2010 | 12.2010 | 24.9145-0001.2 | 399005 | HYDRAULIC CONTROL UNI | 1K0 698 517 B | |
| | 1,4 | 3) Coull | 02.2004 | 12.2010 | 24.9145-0001.2 | 399005 | HYDRAULIC CONTROL UNI | 1K0 698 517 B | |
| | 1,4 16V | 3) Coull | 05.2006 | 12.2010 | 24.9145-0001.2 | 399005 | HYDRAULIC CONTROL UNI | 1K0 698 517 B | |
| | 1,6 | 3) Coull | 04.2004 | 12.2010 | 24.9145-0001.2 | 399005 | HYDRAULIC CONTROL UNI | 1K0 698 517 B | |
| | 1,6 TDI | 3) Coull | 08.2010 | 12.2010 | 24.9145-0001.2 | 399005 | HYDRAULIC CONTROL UNI | 1K0 698 517 B | |
| | 1,9 TDI | 3) Coull | 09.2005 | 12.2010 | 24.9145-0001.2 | 399005 | HYDRAULIC CONTROL UNI | 1K0 698 517 B | |
| | | 3) Coull | 02.2004 | 12.2010 | 24.9145-0001.2 | 399005 | HYDRAULIC CONTROL UNI | 1K0 698 517 B | |
| | 1,9 TDI 4motion | 3) Coull | 05.2008 | 12.2010 | 24.9145-0001.2 | 399005 | HYDRAULIC CONTROL UNI | 1K0 698 517 B | |
| | 2,0 Eco Fuel | 3) Coull | 04.2006 | 12.2010 | 24.9145-0001.2 | 399005 | HYDRAULIC CONTROL UNI | 1K0 698 517 B | |
| | 2,0 SDI | 3) Coull | 02.2004 | 12.2010 | 24.9145-0001.2 | 399005 | HYDRAULIC CONTROL UNI | 1K0 698 517 B | |



Bezeichnung

OE-Nummern
zu ATE
Artikelnummern



z.B. Vorsachnummern /
diverse

VOLKSWAGEN

| Kfz-Modell | Motor | 3) | Coull | 09.2007 | 12.2010 | 24.9145-0001.2 | 399005 | HYDRAULIC CONTROL UNI | 1K0 698 517 B | |
|-------------------|-----------------|----|-------|---------|---------|----------------|--------|------------------------|---------------|--|
| CADDY III (04-15) | 2,0 TDI | 3) | Coull | 09.2007 | 12.2010 | 24.9145-0001.2 | 399005 | HYDRAULIC CONTROL UNI | 1K0 698 517 B | |
| | | 3) | Coull | 10.2010 | 12.2010 | 24.9145-0001.2 | 399005 | HYDRAULIC CONTROL UNI | 1K0 698 517 B | |
| | 2,0 TDI 4motion | 3) | Coull | 10.2010 | 12.2010 | 24.9145-0001.2 | 399005 | HYDRAULIC CONTROL UNI | 1K0 698 517 B | |
| EOS (06-) | 1,4 TSI | 3) | Coull | 05.2008 | | 11.0230-0663.1 | 260131 | CALIPER MOUNT. BRACKET | 1K0 615 125 B | |
| | | 3) | Coull | 10.2007 | | 11.0230-0663.1 | 260131 | CALIPER MOUNT. BRACKET | 1K0 615 125 B | |
| | | 3) | Coull | 10.2007 | 12.2008 | 24.9145-0001.2 | 399005 | HYDRAULIC CONTROL UNI | 1K0 698 517 B | |
| | | 3) | Coull | 05.2008 | 12.2008 | 24.9145-0001.2 | 399005 | HYDRAULIC CONTROL UNI | 1K0 698 517 B | |
| | 1,6 FSI | 3) | Coull | 05.2006 | | 11.0230-0663.1 | 260131 | CALIPER MOUNT. BRACKET | 1K0 615 125 B | |
| | | 3) | Coull | 05.2006 | 12.2008 | 24.9145-0001.2 | 399005 | HYDRAULIC CONTROL UNI | 1K0 698 517 B | |
| | 2,0 FSI | 3) | Coull | 05.2006 | | 11.0230-0663.1 | 260131 | CALIPER MOUNT. BRACKET | 1K0 615 125 B | |
| | | 3) | Coull | 05.2006 | 12.2008 | 24.9145-0001.2 | 399005 | HYDRAULIC CONTROL UNI | 1K0 698 517 B | |
| | 2,0 TDI | 3) | Coull | 11.2010 | | 11.0230-0663.1 | 260131 | CALIPER MOUNT. BRACKET | 1K0 615 125 B | |
| | | 3) | Coull | 05.2006 | | 11.0230-0663.1 | 260131 | CALIPER MOUNT. BRACKET | 1K0 615 125 B | |
| | | 3) | Coull | 05.2006 | 12.2008 | 24.9145-0001.2 | 399005 | HYDRAULIC CONTROL UNI | 1K0 698 517 B | |
| | 2,0 TDI 16V | 3) | Coull | 05.2008 | | 11.0230-0663.1 | 260131 | CALIPER MOUNT. BRACKET | 1K0 615 125 B | |
| | | 3) | Coull | 05.2008 | 12.2008 | 24.9145-0001.2 | 399005 | HYDRAULIC CONTROL UNI | 1K0 698 517 B | |
| | 2,0 TFSI | 3) | Coull | 05.2006 | | 11.0230-0663.1 | 260131 | CALIPER MOUNT. BRACKET | 1K0 615 125 B | |
| | | 3) | Coull | 05.2006 | 12.2008 | 24.9145-0001.2 | 399005 | HYDRAULIC CONTROL UNI | 1K0 698 517 B | |
| | 2,0 TSI | 3) | Coull | 11.2009 | | 11.0230-0663.1 | 260131 | CALIPER MOUNT. BRACKET | 1K0 615 125 B | |
| | 3,2 V6 | 3) | Coull | 05.2006 | | 11.0230-0663.1 | 260131 | CALIPER MOUNT. BRACKET | 1K0 615 125 B | |
| | | 3) | Coull | 05.2006 | 12.2008 | 24.9145-0001.2 | 399005 | HYDRAULIC CONTROL UNI | 1K0 698 517 B | |



Bezeichnung

OE-Nummern
zu ATE
Artikelnummern



z.B. Vorsachnummern /
diverse

VOLKSWAGEN

| | | | | | | | | | |
|-------------------|---------|----------|---------|---------|----------------|--------|------------------------|---------------|--|
| EOS (06-) | 3,6 V6 | 3) Coull | 05.2009 | | 11.0230-0663.1 | 260131 | CALIPER MOUNT. BRACKET | 1K0 615 125 B | |
| GOLF Plus (05-14) | 1,4 16V | 3) Coull | 01.2005 | 12.2008 | 24.9145-0001.2 | 399005 | HYDRAULIC CONTROL UNI | 1K0 698 517 B | |
| | 1,4 FSI | 3) Coull | 07.2005 | 12.2008 | 24.9145-0001.2 | 399005 | HYDRAULIC CONTROL UNI | 1K0 698 517 B | |
| | 1,4 TSI | 3) Coull | 06.2008 | 12.2008 | 24.9145-0001.2 | 399005 | HYDRAULIC CONTROL UNI | 1K0 698 517 B | |
| | | 3) Coull | 05.2006 | 12.2008 | 24.9145-0001.2 | 399005 | HYDRAULIC CONTROL UNI | 1K0 698 517 B | |
| | | 3) Coull | 06.2007 | 12.2008 | 24.9145-0001.2 | 399005 | HYDRAULIC CONTROL UNI | 1K0 698 517 B | |
| | 1,6 | 3) Coull | 05.2005 | 12.2008 | 24.9145-0001.2 | 399005 | HYDRAULIC CONTROL UNI | 1K0 698 517 B | |
| | 1,6 FSI | 3) Coull | 01.2005 | 12.2008 | 24.9145-0001.2 | 399005 | HYDRAULIC CONTROL UNI | 1K0 698 517 B | |
| | 1,9 TDI | 3) Coull | 01.2005 | 12.2008 | 24.9145-0001.2 | 399005 | HYDRAULIC CONTROL UNI | 1K0 698 517 B | |
| | | 3) Coull | 05.2005 | 12.2008 | 24.9145-0001.2 | 399005 | HYDRAULIC CONTROL UNI | 1K0 698 517 B | |
| | 2,0 FSI | 3) Coull | 05.2005 | 12.2008 | 24.9145-0001.2 | 399005 | HYDRAULIC CONTROL UNI | 1K0 698 517 B | |
| | 2,0 TDI | 3) Coull | 05.2005 | 12.2008 | 24.9145-0001.2 | 399005 | HYDRAULIC CONTROL UNI | 1K0 698 517 B | |
| | | 3) Coull | 01.2005 | 12.2008 | 24.9145-0001.2 | 399005 | HYDRAULIC CONTROL UNI | 1K0 698 517 B | |
| GOLF V (03-08) | 1,4 16V | 3) Coull | 10.2003 | 09.2008 | 24.9145-0001.2 | 399005 | HYDRAULIC CONTROL UNI | 1K0 698 517 B | |
| | 1,4 FSI | 3) Coull | 10.2003 | 09.2008 | 24.9145-0001.2 | 399005 | HYDRAULIC CONTROL UNI | 1K0 698 517 B | |
| | 1,4 TSI | 3) Coull | 05.2006 | 09.2008 | 24.9145-0001.2 | 399005 | HYDRAULIC CONTROL UNI | 1K0 698 517 B | |
| | | 3) Coull | 05.2007 | 09.2008 | 24.9145-0001.2 | 399005 | HYDRAULIC CONTROL UNI | 1K0 698 517 B | |
| | | 3) Coull | 11.2005 | 09.2008 | 24.9145-0001.2 | 399005 | HYDRAULIC CONTROL UNI | 1K0 698 517 B | |
| | 1,6 16V | 3) Coull | 01.2004 | 09.2008 | 24.9145-0001.2 | 399005 | HYDRAULIC CONTROL UNI | 1K0 698 517 B | |
| | 1,6 FSI | 3) Coull | 10.2003 | 09.2008 | 24.9145-0001.2 | 399005 | HYDRAULIC CONTROL UNI | 1K0 698 517 B | |
| | 1,8 GTI | 3) Coull | 08.2006 | 09.2008 | 24.9145-0001.2 | 399005 | HYDRAULIC CONTROL UNI | 1K0 698 517 B | |



Bezeichnung

OE-Nummern
zu ATE
Artikelnummern



z.B. Vorsachnummern /
diverse

VOLKSWAGEN

| GOLF V (03-08) | 1,9 TDI | 3) Coull | 10.2003 | 09.2008 | 24.9145-0001.2 | 399005 | HYDRAULIC CONTROL UNI | 1K0 698 517 B | |
|------------------------|-----------------|----------|---------|---------|----------------|--------|-----------------------|---------------|--|
| | | 3) Coull | 05.2004 | 09.2008 | 24.9145-0001.2 | 399005 | HYDRAULIC CONTROL UNI | 1K0 698 517 B | |
| | 1,9 TDI 4motion | 3) Coull | 08.2004 | 09.2008 | 24.9145-0001.2 | 399005 | HYDRAULIC CONTROL UNI | 1K0 698 517 B | |
| | 2 | 3) Coull | 08.2006 | 09.2008 | 24.9145-0001.2 | 399005 | HYDRAULIC CONTROL UNI | 1K0 698 517 B | |
| | 2,0 FSI | 3) Coull | 10.2003 | 09.2008 | 24.9145-0001.2 | 399005 | HYDRAULIC CONTROL UNI | 1K0 698 517 B | |
| | 2,0 FSI 4motion | 3) Coull | 08.2004 | 09.2008 | 24.9145-0001.2 | 399005 | HYDRAULIC CONTROL UNI | 1K0 698 517 B | |
| | 2,0 GTI | 3) Coull | 09.2006 | 09.2008 | 24.9145-0001.2 | 399005 | HYDRAULIC CONTROL UNI | 1K0 698 517 B | |
| | | 3) Coull | 09.2004 | 09.2008 | 24.9145-0001.2 | 399005 | HYDRAULIC CONTROL UNI | 1K0 698 517 B | |
| | 2,0 SDI | 3) Coull | 01.2004 | 09.2008 | 24.9145-0001.2 | 399005 | HYDRAULIC CONTROL UNI | 1K0 698 517 B | |
| | 2,0 TDI | 3) Coull | 11.2005 | 09.2008 | 24.9145-0001.2 | 399005 | HYDRAULIC CONTROL UNI | 1K0 698 517 B | |
| | | 3) Coull | 10.2003 | 09.2008 | 24.9145-0001.2 | 399005 | HYDRAULIC CONTROL UNI | 1K0 698 517 B | |
| | 2,0 TDI 4motion | 3) Coull | 08.2004 | 09.2008 | 24.9145-0001.2 | 399005 | HYDRAULIC CONTROL UNI | 1K0 698 517 B | |
| | 3,2 R32 | 3) Coull | 11.2005 | 09.2008 | 24.9145-0001.2 | 399005 | HYDRAULIC CONTROL UNI | 1K0 698 517 B | |
| GOLF V Variant (07-09) | 1,4 | 3) Coull | 06.2007 | 06.2009 | 24.9145-0001.2 | 399005 | HYDRAULIC CONTROL UNI | 1K0 698 517 B | |
| | 1,4 TSI | 3) Coull | 05.2007 | 06.2009 | 24.9145-0001.2 | 399005 | HYDRAULIC CONTROL UNI | 1K0 698 517 B | |
| | | 3) Coull | 06.2007 | 06.2009 | 24.9145-0001.2 | 399005 | HYDRAULIC CONTROL UNI | 1K0 698 517 B | |
| | | 3) Coull | 07.2008 | 06.2009 | 24.9145-0001.2 | 399005 | HYDRAULIC CONTROL UNI | 1K0 698 517 B | |
| | 1,6 | 3) Coull | 05.2007 | 06.2009 | 24.9145-0001.2 | 399005 | HYDRAULIC CONTROL UNI | 1K0 698 517 B | |
| | 1,9 TDI | 3) Coull | 05.2007 | 06.2009 | 24.9145-0001.2 | 399005 | HYDRAULIC CONTROL UNI | 1K0 698 517 B | |
| | 1,9 TDI 4motion | 3) Coull | 12.2007 | 06.2009 | 24.9145-0001.2 | 399005 | HYDRAULIC CONTROL UNI | 1K0 698 517 B | |
| | 2 | 3) Coull | 06.2007 | 06.2009 | 24.9145-0001.2 | 399005 | HYDRAULIC CONTROL UNI | 1K0 698 517 B | |



| | | | | | | |
|--|----------|--|--|--------------------|---|--|
| | i | | | Bezeichnung | OE-Nummern zu ATE Artikelnummern | i z.B. Vorsachnummern / diverse |
|--|----------|--|--|--------------------|---|--|

VOLKSWAGEN

| | | | | | | | | | |
|------------------------|-----------|----------|---------|---------|----------------|--------|-----------------------|---|----------------|
| GOLF V Variant (07-09) | 2,0 TDI | 3) Coull | 05.2007 | 06.2009 | 24.9145-0001.2 | 399005 | HYDRAULIC CONTROL UNI | 1K0 698 517 B | |
| JETTA V (05-10) | 1,4 TSI | 3) Coull | 05.2007 | 10.2010 | 24.9145-0001.2 | 399005 | HYDRAULIC CONTROL UNI | 1K0 698 517 B | |
| | | 3) Coull | 06.2006 | 10.2010 | 24.9145-0001.2 | 399005 | HYDRAULIC CONTROL UNI | 1K0 698 517 B | |
| | | 3) Coull | 07.2008 | 10.2010 | 24.9145-0001.2 | 399005 | HYDRAULIC CONTROL UNI | 1K0 698 517 B | |
| | 1,6 FSI | 3) Coull | 08.2005 | 10.2010 | 24.9145-0001.2 | 399005 | HYDRAULIC CONTROL UNI | 1K0 698 517 B | |
| | 1,6 i 16V | 3) Coull | 08.2005 | 10.2010 | 24.9145-0001.2 | 399005 | HYDRAULIC CONTROL UNI | 1K0 698 517 B | |
| | 1,6 TDI | 3) Coull | 06.2009 | 10.2010 | 24.9145-0001.2 | 399005 | HYDRAULIC CONTROL UNI | 1K0 698 517 B | |
| | 1,9 TDI | 3) Coull | 08.2005 | 10.2010 | 24.9145-0001.2 | 399005 | HYDRAULIC CONTROL UNI | 1K0 698 517 B | |
| | 2,0 FSI | 3) Coull | 08.2005 | 10.2010 | 24.9145-0001.2 | 399005 | HYDRAULIC CONTROL UNI | 1K0 698 517 B | |
| | 2,0 TDI | 3) Coull | 06.2006 | 10.2010 | 24.9145-0001.2 | 399005 | HYDRAULIC CONTROL UNI | 1K0 698 517 B | |
| | | 3) Coull | 09.2005 | 10.2010 | 24.9145-0001.2 | 399005 | HYDRAULIC CONTROL UNI | 1K0 698 517 B | |
| | | 3) Coull | 08.2005 | 10.2010 | 24.9145-0001.2 | 399005 | HYDRAULIC CONTROL UNI | 1K0 698 517 B | |
| | 2,0 TFSI | 3) Coull | 10.2005 | 10.2010 | 24.9145-0001.2 | 399005 | HYDRAULIC CONTROL UNI | 1K0 698 517 B | |
| | 2,5 FSI | 3) Coull | 07.2008 | 10.2010 | 24.9145-0001.2 | 399005 | HYDRAULIC CONTROL UNI | 1K0 698 517 B | |
| LT/LT 4x4 (96-06) | LT 28 | VL | 05.1996 | 07.2006 | 24.3601-8514.5 | 240688 | FAUSTSATTEL | 2D0 615 124 , A 901 420 47 01 , A 901 420 42 01 , A 901 420 40 01 , A 002 420 61 83 , 901 420 47 01 , 002 420 61 83 , 901 420 42 01 , 901 420 40 01 | 11.3601-8514.2 |
| | LT 35 | VL | 05.1996 | 07.2006 | 24.3601-8514.5 | 240688 | FAUSTSATTEL | 2D0 615 124 , A 901 420 47 01 , A 901 420 42 01 , A 901 420 40 01 , A 002 420 61 83 , 901 420 47 01 , 002 420 61 83 , 901 420 42 01 , 901 420 40 01 | 11.3601-8514.2 |



Bezeichnung

OE-Nummern
zu ATE
Artikelnummern



z.B. Vorsachnummern /
diverse

VOLKSWAGEN

| | | | | | | | | | |
|---------------------------------|-----------------|----------|---------|---------|----------------|--------|-------------------|---|--|
| PASSAT / PASSAT VARIANT (10-14) | 1,4 TSI | 3) Coull | 11.2012 | 10.2014 | 13.0470-2621.2 | LD2621 | CERAMIC BELAGSATZ | 3C0 698 451 C , 1K0 698 451 K , 1K0 698 451 E , 3C0 698 451 A , 1K0 698 451 B | |
| | | 3) Coull | 08.2010 | 10.2014 | 13.0470-2621.2 | LD2621 | CERAMIC BELAGSATZ | 3C0 698 451 C , 1K0 698 451 K , 1K0 698 451 E , 3C0 698 451 A , 1K0 698 451 B | |
| | 1,6 TDI | 3) Coull | 08.2010 | 10.2014 | 13.0470-2621.2 | LD2621 | CERAMIC BELAGSATZ | 3C0 698 451 C , 1K0 698 451 K , 1K0 698 451 E , 3C0 698 451 A , 1K0 698 451 B | |
| | 1,8 TSI | 3) Coull | 08.2010 | 10.2014 | 13.0470-2621.2 | LD2621 | CERAMIC BELAGSATZ | 3C0 698 451 C , 1K0 698 451 K , 1K0 698 451 E , 3C0 698 451 A , 1K0 698 451 B | |
| | 2,0 TDI | 3) Coull | 08.2010 | 10.2014 | 13.0470-2621.2 | LD2621 | CERAMIC BELAGSATZ | 3C0 698 451 C , 1K0 698 451 K , 1K0 698 451 E , 3C0 698 451 A , 1K0 698 451 B | |
| | | 3) Coull | 12.2012 | 10.2014 | 13.0470-2621.2 | LD2621 | CERAMIC BELAGSATZ | 3C0 698 451 C , 1K0 698 451 K , 1K0 698 451 E , 3C0 698 451 A , 1K0 698 451 B | |
| | 2,0 TDI 4motion | 3) Coull | 01.2013 | 10.2014 | 13.0470-2621.2 | LD2621 | CERAMIC BELAGSATZ | 3C0 698 451 C , 1K0 698 451 K , 1K0 698 451 E , 3C0 698 451 A , 1K0 698 451 B | |
| | | 3) Coull | 08.2010 | 10.2014 | 13.0470-2621.2 | LD2621 | CERAMIC BELAGSATZ | 3C0 698 451 C , 1K0 698 451 K , 1K0 698 451 E , 3C0 698 451 A , 1K0 698 451 B | |
| | 2,0 TSI | 3) Coull | 11.2010 | 10.2014 | 13.0470-2621.2 | LD2621 | CERAMIC BELAGSATZ | 3C0 698 451 C , 1K0 698 451 K , 1K0 698 451 E , 3C0 698 451 A , 1K0 698 451 B | |
| | 3,6 FSI 4motion | 3) Coull | 01.2011 | 10.2014 | 13.0470-2621.2 | LD2621 | CERAMIC BELAGSATZ | 3C0 698 451 C , 1K0 698 451 K , 1K0 698 451 E , 3C0 698 451 A , 1K0 698 451 B | |
| PASSAT ALLTRACK (12-14) | 1,8 TSI | 3) Coull | 01.2012 | | 13.0470-2621.2 | LD2621 | CERAMIC BELAGSATZ | 3C0 698 451 C , 1K0 698 451 K , 1K0 698 451 E , 3C0 698 451 A , 1K0 698 451 B | |



Bezeichnung

OE-Nummern
zu ATE
Artikelnummern



z.B. Vorsachnummern /
diverse

VOLKSWAGEN

| Modell | Motor | 3) Coull | 01.2012 | | 13.0470-2621.2 | LD2621 | CERAMIC BELAGSATZ | 3C0 698 451 C, 1K0 698 451 K, 1K0 698 451 E, 3C0 698 451 A, 1K0 698 451 B |
|-------------------------|-------------------|----------|---------|---------|----------------|--------|------------------------|---|
| PASSAT ALLTRACK (12-14) | 2,0 TDI | 3) Coull | 01.2012 | | 13.0470-2621.2 | LD2621 | CERAMIC BELAGSATZ | 3C0 698 451 C, 1K0 698 451 K, 1K0 698 451 E, 3C0 698 451 A, 1K0 698 451 B |
| | 2,0 TDI 4motion | 3) Coull | 01.2012 | | 13.0470-2621.2 | LD2621 | CERAMIC BELAGSATZ | 3C0 698 451 C, 1K0 698 451 K, 1K0 698 451 E, 3C0 698 451 A, 1K0 698 451 B |
| | | 3) Coull | 01.2013 | | 13.0470-2621.2 | LD2621 | CERAMIC BELAGSATZ | 3C0 698 451 C, 1K0 698 451 K, 1K0 698 451 E, 3C0 698 451 A, 1K0 698 451 B |
| | 2,0 TSI 4motion | 3) Coull | 01.2012 | | 13.0470-2621.2 | LD2621 | CERAMIC BELAGSATZ | 3C0 698 451 C, 1K0 698 451 K, 1K0 698 451 E, 3C0 698 451 A, 1K0 698 451 B |
| PASSAT CC (08-11) | 1,4 TSI MultiFuel | 3) Coull | 01.2011 | 09.2011 | 11.0230-0663.1 | 260131 | CALIPER MOUNT. BRACKET | 1K0 615 125 B |
| | | 3) Coull | 01.2011 | 09.2011 | 13.0470-2621.2 | LD2621 | CERAMIC BELAGSATZ | 3C0 698 451 C, 1K0 698 451 K, 1K0 698 451 E, 3C0 698 451 A, 1K0 698 451 B |
| | 1,8 TSI | 3) Coull | 04.2008 | 09.2011 | 11.0230-0663.1 | 260131 | CALIPER MOUNT. BRACKET | 1K0 615 125 B |
| | | 3) Coull | 04.2008 | 09.2011 | 13.0470-2621.2 | LD2621 | CERAMIC BELAGSATZ | 3C0 698 451 C, 1K0 698 451 K, 1K0 698 451 E, 3C0 698 451 A, 1K0 698 451 B |
| | 2,0 TDI | 3) Coull | 04.2008 | 09.2011 | 11.0230-0663.1 | 260131 | CALIPER MOUNT. BRACKET | 1K0 615 125 B |
| | | 3) Coull | 06.2008 | 09.2011 | 11.0230-0663.1 | 260131 | CALIPER MOUNT. BRACKET | 1K0 615 125 B |
| | | 3) Coull | 06.2008 | 09.2011 | 13.0470-2621.2 | LD2621 | CERAMIC BELAGSATZ | 3C0 698 451 C, 1K0 698 451 K, 1K0 698 451 E, 3C0 698 451 A, 1K0 698 451 B |
| | | 3) Coull | 04.2008 | 09.2011 | 13.0470-2621.2 | LD2621 | CERAMIC BELAGSATZ | 3C0 698 451 C, 1K0 698 451 K, 1K0 698 451 E, 3C0 698 451 A, 1K0 698 451 B |
| | 2,0 TDI 4motion | 3) Coull | 08.2009 | 09.2011 | 11.0230-0663.1 | 260131 | CALIPER MOUNT. BRACKET | 1K0 615 125 B |
| | | 3) Coull | 11.2009 | 09.2011 | 11.0230-0663.1 | 260131 | CALIPER MOUNT. BRACKET | 1K0 615 125 B |



Bezeichnung

OE-Nummern
zu ATE
Artikelnummern



z.B. Vorsachnummern /
diverse

VOLKSWAGEN

| | | | | | | | | | |
|-------------------|-----------------|----------|---------|---------|----------------|--------|------------------------|---|--|
| PASSAT CC (08-11) | 2,0 TDI 4motion | 3) Coull | 11.2009 | 09.2011 | 13.0470-2621.2 | LD2621 | CERAMIC BELAGSATZ | 3C0 698 451 C, 1K0 698 451 K, 1K0 698 451 E, 3C0 698 451 A, 1K0 698 451 B | |
| | | 3) Coull | 08.2009 | 09.2011 | 13.0470-2621.2 | LD2621 | CERAMIC BELAGSATZ | 3C0 698 451 C, 1K0 698 451 K, 1K0 698 451 E, 3C0 698 451 A, 1K0 698 451 B | |
| | 2,0 TSI | 3) Coull | 04.2008 | 09.2011 | 11.0230-0663.1 | 260131 | CALIPER MOUNT. BRACKET | 1K0 615 125 B | |
| | | 3) Coull | 04.2008 | 09.2011 | 13.0470-2621.2 | LD2621 | CERAMIC BELAGSATZ | 3C0 698 451 C, 1K0 698 451 K, 1K0 698 451 E, 3C0 698 451 A, 1K0 698 451 B | |
| | 3,6 FSI 4motion | 3) Coull | 04.2008 | 09.2011 | 11.0230-0663.1 | 260131 | CALIPER MOUNT. BRACKET | 1K0 615 125 B | |
| | | 3) Coull | 04.2008 | 09.2011 | 13.0470-2621.2 | LD2621 | CERAMIC BELAGSATZ | 3C0 698 451 C, 1K0 698 451 K, 1K0 698 451 E, 3C0 698 451 A, 1K0 698 451 B | |
| PASSAT CC (11-) | 1,4 TSI | 3) Coull | 05.2015 | | 13.0470-2621.2 | LD2621 | CERAMIC BELAGSATZ | 3C0 698 451 C, 1K0 698 451 K, 1K0 698 451 E, 3C0 698 451 A, 1K0 698 451 B | |
| | | 3) Coull | 11.2011 | | 13.0470-2621.2 | LD2621 | CERAMIC BELAGSATZ | 3C0 698 451 C, 1K0 698 451 K, 1K0 698 451 E, 3C0 698 451 A, 1K0 698 451 B | |
| | 1,8 TSI | 3) Coull | 11.2011 | | 13.0470-2621.2 | LD2621 | CERAMIC BELAGSATZ | 3C0 698 451 C, 1K0 698 451 K, 1K0 698 451 E, 3C0 698 451 A, 1K0 698 451 B | |
| | 2,0 TDI | 3) Coull | 11.2011 | | 13.0470-2621.2 | LD2621 | CERAMIC BELAGSATZ | 3C0 698 451 C, 1K0 698 451 K, 1K0 698 451 E, 3C0 698 451 A, 1K0 698 451 B | |
| | | 3) Coull | 05.2015 | | 13.0470-2621.2 | LD2621 | CERAMIC BELAGSATZ | 3C0 698 451 C, 1K0 698 451 K, 1K0 698 451 E, 3C0 698 451 A, 1K0 698 451 B | |
| | | 3) Coull | 12.2012 | | 13.0470-2621.2 | LD2621 | CERAMIC BELAGSATZ | 3C0 698 451 C, 1K0 698 451 K, 1K0 698 451 E, 3C0 698 451 A, 1K0 698 451 B | |



Bezeichnung

OE-Nummern
zu ATE
Artikelnummern



z.B. Vorsachnummern /
diverse

VOLKSWAGEN

| PASSAT CC (11-) | 2,0 TDI 4motion | 3) Coull | 11.2011 | | 13.0470-2621.2 | LD2621 | CERAMIC BELAGSATZ | 3C0 698 451 C , 1K0 698 451 K , 1K0 698 451 E , 3C0 698 451 A , 1K0 698 451 B | |
|--------------------------|-----------------|----------|---------|---------|----------------|--------|------------------------|---|--|
| | | 3) Coull | 12.2012 | | 13.0470-2621.2 | LD2621 | CERAMIC BELAGSATZ | 3C0 698 451 C , 1K0 698 451 K , 1K0 698 451 E , 3C0 698 451 A , 1K0 698 451 B | |
| | 2,0 TSI | 3) Coull | 11.2011 | | 13.0470-2621.2 | LD2621 | CERAMIC BELAGSATZ | 3C0 698 451 C , 1K0 698 451 K , 1K0 698 451 E , 3C0 698 451 A , 1K0 698 451 B | |
| | 3,6 V6 4motion | 3) Coull | 11.2011 | | 13.0470-2621.2 | LD2621 | CERAMIC BELAGSATZ | 3C0 698 451 C , 1K0 698 451 K , 1K0 698 451 E , 3C0 698 451 A , 1K0 698 451 B | |
| PASSAT Limousine (05-10) | 1,4 TSI | 3) Coull | 10.2007 | 07.2010 | 11.0230-0663.1 | 260131 | CALIPER MOUNT. BRACKET | 1K0 615 125 B | |
| | | 3) Coull | 10.2007 | 07.2010 | 13.0470-2621.2 | LD2621 | CERAMIC BELAGSATZ | 3C0 698 451 C , 1K0 698 451 K , 1K0 698 451 E , 3C0 698 451 A , 1K0 698 451 B | |
| | 1,6 | 3) Coull | 03.2005 | 07.2010 | 11.0230-0663.1 | 260131 | CALIPER MOUNT. BRACKET | 1K0 615 125 B | |
| | | 3) Coull | 03.2005 | 07.2010 | 13.0470-2621.2 | LD2621 | CERAMIC BELAGSATZ | 3C0 698 451 C , 1K0 698 451 K , 1K0 698 451 E , 3C0 698 451 A , 1K0 698 451 B | |
| | 1,6 FSI | 3) Coull | 03.2005 | 07.2010 | 11.0230-0663.1 | 260131 | CALIPER MOUNT. BRACKET | 1K0 615 125 B | |
| | | 3) Coull | 03.2005 | 07.2010 | 13.0470-2621.2 | LD2621 | CERAMIC BELAGSATZ | 3C0 698 451 C , 1K0 698 451 K , 1K0 698 451 E , 3C0 698 451 A , 1K0 698 451 B | |
| | 1,6 TDI | 3) Coull | 08.2009 | 07.2010 | 11.0230-0663.1 | 260131 | CALIPER MOUNT. BRACKET | 1K0 615 125 B | |
| | | 3) Coull | 08.2009 | 07.2010 | 13.0470-2621.2 | LD2621 | CERAMIC BELAGSATZ | 3C0 698 451 C , 1K0 698 451 K , 1K0 698 451 E , 3C0 698 451 A , 1K0 698 451 B | |
| | 1,8 TSI | 3) Coull | 11.2009 | 07.2010 | 11.0230-0663.1 | 260131 | CALIPER MOUNT. BRACKET | 1K0 615 125 B | |
| | | 3) Coull | 10.2007 | 07.2010 | 11.0230-0663.1 | 260131 | CALIPER MOUNT. BRACKET | 1K0 615 125 B | |



Bezeichnung

OE-Nummern
zu ATE
Artikelnummern



z.B. Vorsachnummern /
diverse

VOLKSWAGEN

| | | | | | | | | | |
|--------------------------|-----------------|----------|---------|---------|----------------|--------|------------------------|---|--|
| PASSAT Limousine (05-10) | 1,8 TSI | 3) Coull | 10.2007 | 07.2010 | 13.0470-2621.2 | LD2621 | CERAMIC BELAGSATZ | 3C0 698 451 C , 1K0 698 451 K , 1K0 698 451 E , 3C0 698 451 A , 1K0 698 451 B | |
| | | 3) Coull | 11.2009 | 07.2010 | 13.0470-2621.2 | LD2621 | CERAMIC BELAGSATZ | 3C0 698 451 C , 1K0 698 451 K , 1K0 698 451 E , 3C0 698 451 A , 1K0 698 451 B | |
| | 1,9 TDI | 3) Coull | 03.2005 | 07.2010 | 11.0230-0663.1 | 260131 | CALIPER MOUNT. BRACKET | 1K0 615 125 B | |
| | | 3) Coull | 03.2005 | 07.2010 | 13.0470-2621.2 | LD2621 | CERAMIC BELAGSATZ | 3C0 698 451 C , 1K0 698 451 K , 1K0 698 451 E , 3C0 698 451 A , 1K0 698 451 B | |
| | 2,0 FSI | 3) Coull | 03.2005 | 07.2010 | 11.0230-0663.1 | 260131 | CALIPER MOUNT. BRACKET | 1K0 615 125 B | |
| | | 3) Coull | 03.2005 | 07.2010 | 13.0470-2621.2 | LD2621 | CERAMIC BELAGSATZ | 3C0 698 451 C , 1K0 698 451 K , 1K0 698 451 E , 3C0 698 451 A , 1K0 698 451 B | |
| | 2,0 FSI 4motion | 3) Coull | 03.2005 | 07.2010 | 11.0230-0663.1 | 260131 | CALIPER MOUNT. BRACKET | 1K0 615 125 B | |
| | | 3) Coull | 03.2005 | 07.2010 | 13.0470-2621.2 | LD2621 | CERAMIC BELAGSATZ | 3C0 698 451 C , 1K0 698 451 K , 1K0 698 451 E , 3C0 698 451 A , 1K0 698 451 B | |
| | 2,0 TDI | 3) Coull | 08.2005 | 07.2010 | 11.0230-0663.1 | 260131 | CALIPER MOUNT. BRACKET | 1K0 615 125 B | |
| | | 3) Coull | 03.2005 | 07.2010 | 11.0230-0663.1 | 260131 | CALIPER MOUNT. BRACKET | 1K0 615 125 B | |
| | | 3) Coull | 08.2005 | 07.2010 | 13.0470-2621.2 | LD2621 | CERAMIC BELAGSATZ | 3C0 698 451 C , 1K0 698 451 K , 1K0 698 451 E , 3C0 698 451 A , 1K0 698 451 B | |
| | | 3) Coull | 03.2005 | 07.2010 | 13.0470-2621.2 | LD2621 | CERAMIC BELAGSATZ | 3C0 698 451 C , 1K0 698 451 K , 1K0 698 451 E , 3C0 698 451 A , 1K0 698 451 B | |
| | 2,0 TDI 16V | 3) Coull | 03.2005 | 07.2010 | 11.0230-0663.1 | 260131 | CALIPER MOUNT. BRACKET | 1K0 615 125 B | |
| | | 3) Coull | 03.2005 | 07.2010 | 13.0470-2621.2 | LD2621 | CERAMIC BELAGSATZ | 3C0 698 451 C , 1K0 698 451 K , 1K0 698 451 E , 3C0 698 451 A , 1K0 698 451 B | |



| | | | | | | |
|--|----------|--|--|--------------------|---|--|
| | i | | | Bezeichnung | OE-Nummern zu ATE Artikelnummern | i z.B. Vorsachnummern / diverse |
|--|----------|--|--|--------------------|---|--|

VOLKSWAGEN

| | | | | | | | | | |
|--------------------------|--------------------|----------|---------|---------|----------------|--------|------------------------|---|--|
| PASSAT Limousine (05-10) | 2,0 TDI 4motion | 3) Coull | 05.2009 | 07.2010 | 11.0230-0663.1 | 260131 | CALIPER MOUNT. BRACKET | 1K0 615 125 B | |
| | | 3) Coull | 03.2005 | 07.2010 | 11.0230-0663.1 | 260131 | CALIPER MOUNT. BRACKET | 1K0 615 125 B | |
| | | 3) Coull | 03.2005 | 07.2010 | 13.0470-2621.2 | LD2621 | CERAMIC BELAGSATZ | 3C0 698 451 C , 1K0 698 451 K , 1K0 698 451 E , 3C0 698 451 A , 1K0 698 451 B | |
| | | 3) Coull | 05.2009 | 07.2010 | 13.0470-2621.2 | LD2621 | CERAMIC BELAGSATZ | 3C0 698 451 C , 1K0 698 451 K , 1K0 698 451 E , 3C0 698 451 A , 1K0 698 451 B | |
| | 3,2 V6 FSI 4motion | 3) Coull | 09.2005 | 07.2010 | 11.0230-0663.1 | 260131 | CALIPER MOUNT. BRACKET | 1K0 615 125 B | |
| | | 3) Coull | 09.2005 | 07.2010 | 13.0470-2621.2 | LD2621 | CERAMIC BELAGSATZ | 3C0 698 451 C , 1K0 698 451 K , 1K0 698 451 E , 3C0 698 451 A , 1K0 698 451 B | |
| | 3,6 R36 | 3) Coull | 04.2007 | 07.2010 | 11.0230-0663.1 | 260131 | CALIPER MOUNT. BRACKET | 1K0 615 125 B | |
| | | 3) Coull | 04.2007 | 07.2010 | 13.0470-2621.2 | LD2621 | CERAMIC BELAGSATZ | 3C0 698 451 C , 1K0 698 451 K , 1K0 698 451 E , 3C0 698 451 A , 1K0 698 451 B | |
| PASSAT Variant (05-10) | 1,4 TSI | 3) Coull | 10.2007 | 07.2010 | 11.0230-0663.1 | 260131 | CALIPER MOUNT. BRACKET | 1K0 615 125 B | |
| | | 3) Coull | 10.2007 | 07.2010 | 13.0470-2621.2 | LD2621 | CERAMIC BELAGSATZ | 3C0 698 451 C , 1K0 698 451 K , 1K0 698 451 E , 3C0 698 451 A , 1K0 698 451 B | |
| | 1,6 | 3) Coull | 07.2005 | 07.2010 | 11.0230-0663.1 | 260131 | CALIPER MOUNT. BRACKET | 1K0 615 125 B | |
| | | 3) Coull | 07.2005 | 07.2010 | 13.0470-2621.2 | LD2621 | CERAMIC BELAGSATZ | 3C0 698 451 C , 1K0 698 451 K , 1K0 698 451 E , 3C0 698 451 A , 1K0 698 451 B | |
| | 1,6 FSI | 3) Coull | 07.2005 | 07.2010 | 11.0230-0663.1 | 260131 | CALIPER MOUNT. BRACKET | 1K0 615 125 B | |
| | | 3) Coull | 07.2005 | 07.2010 | 13.0470-2621.2 | LD2621 | CERAMIC BELAGSATZ | 3C0 698 451 C , 1K0 698 451 K , 1K0 698 451 E , 3C0 698 451 A , 1K0 698 451 B | |
| | 1,6 TDI | 3) Coull | 08.2009 | 07.2010 | 11.0230-0663.1 | 260131 | CALIPER MOUNT. BRACKET | 1K0 615 125 B | |



Bezeichnung

OE-Nummern
zu ATE
Artikelnummern



z.B. Vorsachnummern /
diverse

VOLKSWAGEN

| PASSAT Variant (05-10) | 1,6 TDI | 3) Coull | 08.2009 | 07.2010 | 13.0470-2621.2 | LD2621 | CERAMIC BELAGSATZ | 3C0 698 451 C , 1K0 698 451 K , 1K0 698 451 E , 3C0 698 451 A , 1K0 698 451 B |
|------------------------|-----------------|----------|---------|---------|----------------|--------|------------------------|---|
| | 1,8 TSI | 3) Coull | 10.2007 | 07.2010 | 11.0230-0663.1 | 260131 | CALIPER MOUNT. BRACKET | 1K0 615 125 B |
| | | 3) Coull | 11.2009 | 07.2010 | 11.0230-0663.1 | 260131 | CALIPER MOUNT. BRACKET | 1K0 615 125 B |
| | | 3) Coull | 11.2009 | 07.2010 | 13.0470-2621.2 | LD2621 | CERAMIC BELAGSATZ | 3C0 698 451 C , 1K0 698 451 K , 1K0 698 451 E , 3C0 698 451 A , 1K0 698 451 B |
| | | 3) Coull | 10.2007 | 07.2010 | 13.0470-2621.2 | LD2621 | CERAMIC BELAGSATZ | 3C0 698 451 C , 1K0 698 451 K , 1K0 698 451 E , 3C0 698 451 A , 1K0 698 451 B |
| | 1,9 TDI | 3) Coull | 07.2005 | 07.2010 | 11.0230-0663.1 | 260131 | CALIPER MOUNT. BRACKET | 1K0 615 125 B |
| | | 3) Coull | 07.2005 | 07.2010 | 13.0470-2621.2 | LD2621 | CERAMIC BELAGSATZ | 3C0 698 451 C , 1K0 698 451 K , 1K0 698 451 E , 3C0 698 451 A , 1K0 698 451 B |
| | 2,0 FSI | 3) Coull | 07.2005 | 07.2010 | 11.0230-0663.1 | 260131 | CALIPER MOUNT. BRACKET | 1K0 615 125 B |
| | | 3) Coull | 07.2005 | 07.2010 | 13.0470-2621.2 | LD2621 | CERAMIC BELAGSATZ | 3C0 698 451 C , 1K0 698 451 K , 1K0 698 451 E , 3C0 698 451 A , 1K0 698 451 B |
| | 2,0 FSI 4motion | 3) Coull | 09.2005 | 07.2010 | 11.0230-0663.1 | 260131 | CALIPER MOUNT. BRACKET | 1K0 615 125 B |
| | | 3) Coull | 09.2005 | 07.2010 | 13.0470-2621.2 | LD2621 | CERAMIC BELAGSATZ | 3C0 698 451 C , 1K0 698 451 K , 1K0 698 451 E , 3C0 698 451 A , 1K0 698 451 B |
| | 2,0 TDI | 3) Coull | 07.2005 | 07.2010 | 11.0230-0663.1 | 260131 | CALIPER MOUNT. BRACKET | 1K0 615 125 B |
| | | 3) Coull | 11.2005 | 07.2010 | 11.0230-0663.1 | 260131 | CALIPER MOUNT. BRACKET | 1K0 615 125 B |
| | | 3) Coull | 11.2005 | 07.2010 | 13.0470-2621.2 | LD2621 | CERAMIC BELAGSATZ | 3C0 698 451 C , 1K0 698 451 K , 1K0 698 451 E , 3C0 698 451 A , 1K0 698 451 B |



| | | | | | | |
|--|----------|--|--|--------------------|---|--|
| | i | | | Bezeichnung | OE-Nummern zu ATE Artikelnummern | i z.B. Vorsachnummern / diverse |
|--|----------|--|--|--------------------|---|--|

VOLKSWAGEN

| | | | | | | | | | |
|------------------------|--------------------|----------|---------|---------|----------------|--------|------------------------|---|----------------|
| PASSAT Variant (05-10) | 2,0 TDI | 3) Coull | 07.2005 | 07.2010 | 13.0470-2621.2 | LD2621 | CERAMIC BELAGSATZ | 3C0 698 451 C , 1K0 698 451 K , 1K0 698 451 E , 3C0 698 451 A , 1K0 698 451 B | |
| | 2,0 TDI 16V | 3) Coull | 08.2005 | 07.2010 | 11.0230-0663.1 | 260131 | CALIPER MOUNT. BRACKET | 1K0 615 125 B | |
| | | 3) Coull | 08.2005 | 07.2010 | 13.0470-2621.2 | LD2621 | CERAMIC BELAGSATZ | 3C0 698 451 C , 1K0 698 451 K , 1K0 698 451 E , 3C0 698 451 A , 1K0 698 451 B | |
| | 2,0 TDI 4motion | 3) Coull | 05.2009 | 07.2010 | 11.0230-0663.1 | 260131 | CALIPER MOUNT. BRACKET | 1K0 615 125 B | |
| | | 3) Coull | 09.2005 | 07.2010 | 11.0230-0663.1 | 260131 | CALIPER MOUNT. BRACKET | 1K0 615 125 B | |
| | | 3) Coull | 05.2009 | 07.2010 | 13.0470-2621.2 | LD2621 | CERAMIC BELAGSATZ | 3C0 698 451 C , 1K0 698 451 K , 1K0 698 451 E , 3C0 698 451 A , 1K0 698 451 B | |
| | | 3) Coull | 09.2005 | 07.2010 | 13.0470-2621.2 | LD2621 | CERAMIC BELAGSATZ | 3C0 698 451 C , 1K0 698 451 K , 1K0 698 451 E , 3C0 698 451 A , 1K0 698 451 B | |
| | 2,0 TFSI | 3) Coull | 07.2005 | 07.2010 | 11.0230-0663.1 | 260131 | CALIPER MOUNT. BRACKET | 1K0 615 125 B | |
| | | 3) Coull | 07.2005 | 07.2010 | 13.0470-2621.2 | LD2621 | CERAMIC BELAGSATZ | 3C0 698 451 C , 1K0 698 451 K , 1K0 698 451 E , 3C0 698 451 A , 1K0 698 451 B | |
| | 3,2 V6 FSI 4motion | 3) Coull | 11.2005 | 07.2010 | 11.0230-0663.1 | 260131 | CALIPER MOUNT. BRACKET | 1K0 615 125 B | |
| | | 3) Coull | 11.2005 | 07.2010 | 13.0470-2621.2 | LD2621 | CERAMIC BELAGSATZ | 3C0 698 451 C , 1K0 698 451 K , 1K0 698 451 E , 3C0 698 451 A , 1K0 698 451 B | |
| | 3,6 R36 | 3) Coull | 04.2007 | 07.2010 | 11.0230-0663.1 | 260131 | CALIPER MOUNT. BRACKET | 1K0 615 125 B | |
| | | 3) Coull | 04.2007 | 07.2010 | 13.0470-2621.2 | LD2621 | CERAMIC BELAGSATZ | 3C0 698 451 C , 1K0 698 451 K , 1K0 698 451 E , 3C0 698 451 A , 1K0 698 451 B | |
| POLO IV (02-09) | 1,2 | HL | 11.2001 | 05.2009 | 24.3344-1709.5 | 240810 | FAUSTSATTEL | 6Q0 615 423 B , 6Q0 615 423 A | 24.3344-1709.7 |



Bezeichnung

OE-Nummern
zu ATE
Artikelnummern



z.B. Vorsachnummern /
diverse

VOLKSWAGEN

| | | | | | | | | | |
|-------------------|------------|----------|---------|---------|----------------|--------|------------------------|-------------------------------|----------------|
| POLO IV (02-09) | 1,2 | HL | 04.2007 | 05.2009 | 24.3344-1709.5 | 240810 | FAUSTSATTEL | 6Q0 615 423 B , 6Q0 615 423 A | 24.3344-1709.7 |
| | 1,4 16V | HL | 05.2006 | 05.2009 | 24.3344-1709.5 | 240810 | FAUSTSATTEL | 6Q0 615 423 B , 6Q0 615 423 A | 24.3344-1709.7 |
| | | HL | 11.2001 | 05.2009 | 24.3344-1709.5 | 240810 | FAUSTSATTEL | 6Q0 615 423 B , 6Q0 615 423 A | 24.3344-1709.7 |
| | 1,4 FSI | HL | 11.2001 | 05.2009 | 24.3344-1709.5 | 240810 | FAUSTSATTEL | 6Q0 615 423 B , 6Q0 615 423 A | 24.3344-1709.7 |
| | 1,4 TDI | HL | 11.2001 | 05.2009 | 24.3344-1709.5 | 240810 | FAUSTSATTEL | 6Q0 615 423 B , 6Q0 615 423 A | 24.3344-1709.7 |
| | 1,6 16V | HL | 05.2006 | 05.2009 | 24.3344-1709.5 | 240810 | FAUSTSATTEL | 6Q0 615 423 B , 6Q0 615 423 A | 24.3344-1709.7 |
| | 1,8 GTI | HL | 06.2006 | 05.2009 | 24.3344-1709.5 | 240810 | FAUSTSATTEL | 6Q0 615 423 B , 6Q0 615 423 A | 24.3344-1709.7 |
| | | HL | 09.2005 | 05.2009 | 24.3344-1709.5 | 240810 | FAUSTSATTEL | 6Q0 615 423 B , 6Q0 615 423 A | 24.3344-1709.7 |
| | 1,9 TDI | HL | 10.2003 | 05.2009 | 24.3344-1709.5 | 240810 | FAUSTSATTEL | 6Q0 615 423 B , 6Q0 615 423 A | 24.3344-1709.7 |
| | | HL | 11.2001 | 05.2009 | 24.3344-1709.5 | 240810 | FAUSTSATTEL | 6Q0 615 423 B , 6Q0 615 423 A | 24.3344-1709.7 |
| | 2 | HL | 04.2002 | 05.2009 | 24.3344-1709.5 | 240810 | FAUSTSATTEL | 6Q0 615 423 B , 6Q0 615 423 A | 24.3344-1709.7 |
| TOUAREG I (03-10) | 2,5 R5 TDI | 3) Coull | 01.2003 | 03.2010 | 11.0230-0811.1 | 260137 | CALIPER MOUNT. BRACKET | 7L6 615 425 , 7L6 615 425 A | |
| | 3,0 V6 TDI | 3) Coull | 11.2004 | 03.2010 | 11.0230-0811.1 | 260137 | CALIPER MOUNT. BRACKET | 7L6 615 425 , 7L6 615 425 A | |
| | | 3) Coull | 10.2007 | 03.2010 | 11.0230-0811.1 | 260137 | CALIPER MOUNT. BRACKET | 7L6 615 425 , 7L6 615 425 A | |
| | 3,2 V6 | 3) Coull | 11.2002 | 12.2005 | 11.0230-0811.1 | 260137 | CALIPER MOUNT. BRACKET | 7L6 615 425 , 7L6 615 425 A | |
| | 3,6 V6 FSI | 3) Coull | 01.2006 | 03.2010 | 11.0230-0811.1 | 260137 | CALIPER MOUNT. BRACKET | 7L6 615 425 , 7L6 615 425 A | |



| | | | | | | | |
|--|----------|--|--|--|--------------------|---|--|
| | i | | | | Bezeichnung | OE-Nummern zu ATE Artikelnummern | i z.B. Vorsachnummern / diverse |
|--|----------|--|--|--|--------------------|---|--|

VOLKSWAGEN

| | | | | | | | | | |
|-------------------|-----------------|----------|---------|---------|----------------|--------|------------------------|-----------------------------|--|
| TOUAREG I (03-10) | 4,2 V8 | 3) Coull | 12.2002 | 11.2006 | 11.0230-0811.1 | 260137 | CALIPER MOUNT. BRACKET | 7L6 615 425 , 7L6 615 425 A | |
| | 4,2 V8 FSI | 3) Coull | 12.2006 | 03.2010 | 11.0230-0811.1 | 260137 | CALIPER MOUNT. BRACKET | 7L6 615 425 , 7L6 615 425 A | |
| | 5,0 TDI R50 | 3) Coull | 01.2008 | 03.2010 | 11.0230-0811.1 | 260137 | CALIPER MOUNT. BRACKET | 7L6 615 425 , 7L6 615 425 A | |
| | 5,0 V10 TDI | 3) Coull | 11.2002 | 03.2010 | 11.0230-0811.1 | 260137 | CALIPER MOUNT. BRACKET | 7L6 615 425 , 7L6 615 425 A | |
| | 6,0 W12 | 3) Coull | 08.2004 | 11.2006 | 11.0230-0811.1 | 260137 | CALIPER MOUNT. BRACKET | 7L6 615 425 , 7L6 615 425 A | |
| TOURAN I (03-15) | 1,2 TSI | 3) Coull | 05.2010 | 12.2010 | 24.9145-0001.2 | 399005 | HYDRAULIC CONTROL UNI | 1K0 698 517 B | |
| | 1,4 TSI | 3) Coull | 11.2006 | 12.2010 | 24.9145-0001.2 | 399005 | HYDRAULIC CONTROL UNI | 1K0 698 517 B | |
| | | 3) Coull | 09.2006 | 12.2010 | 24.9145-0001.2 | 399005 | HYDRAULIC CONTROL UNI | 1K0 698 517 B | |
| | 1,4 TSI EcoFuel | 3) Coull | 05.2009 | 12.2010 | 24.9145-0001.2 | 399005 | HYDRAULIC CONTROL UNI | 1K0 698 517 B | |
| | 1,6 | 3) Coull | 07.2003 | 12.2010 | 24.9145-0001.2 | 399005 | HYDRAULIC CONTROL UNI | 1K0 698 517 B | |
| | 1,6 FSI | 3) Coull | 02.2003 | 12.2010 | 24.9145-0001.2 | 399005 | HYDRAULIC CONTROL UNI | 1K0 698 517 B | |
| | 1,6 TDI | 3) Coull | 05.2010 | 12.2010 | 24.9145-0001.2 | 399005 | HYDRAULIC CONTROL UNI | 1K0 698 517 B | |
| | 1,9 TDI | 3) Coull | 11.2004 | 12.2010 | 24.9145-0001.2 | 399005 | HYDRAULIC CONTROL UNI | 1K0 698 517 B | |
| | | 3) Coull | 08.2003 | 12.2010 | 24.9145-0001.2 | 399005 | HYDRAULIC CONTROL UNI | 1K0 698 517 B | |
| | | 3) Coull | 02.2003 | 12.2010 | 24.9145-0001.2 | 399005 | HYDRAULIC CONTROL UNI | 1K0 698 517 B | |
| | 2,0 Eco Fuel | 3) Coull | 02.2006 | 12.2010 | 24.9145-0001.2 | 399005 | HYDRAULIC CONTROL UNI | 1K0 698 517 B | |
| | 2,0 FSI | 3) Coull | 10.2003 | 12.2010 | 24.9145-0001.2 | 399005 | HYDRAULIC CONTROL UNI | 1K0 698 517 B | |
| | | 3) Coull | 10.2004 | 12.2010 | 24.9145-0001.2 | 399005 | HYDRAULIC CONTROL UNI | 1K0 698 517 B | |
| | 2,0 TDI | 3) Coull | 02.2003 | 12.2010 | 24.9145-0001.2 | 399005 | HYDRAULIC CONTROL UNI | 1K0 698 517 B | |
| | | 3) Coull | 02.2006 | 12.2010 | 24.9145-0001.2 | 399005 | HYDRAULIC CONTROL UNI | 1K0 698 517 B | |
| | | 3) Coull | 08.2003 | 12.2010 | 24.9145-0001.2 | 399005 | HYDRAULIC CONTROL UNI | 1K0 698 517 B | |



Bezeichnung

OE-Nummern
zu ATE
Artikelnummern



z.B. Vorsachnummern /
diverse

VOLKSWAGEN

| | | | | | | | | | |
|--|-----------------|----------|---------|--|----------------|--------|------------------------|-----------------------------|--|
| TRANSPORTER (T5) BUS / MULTIVAN / KASTEN (03-) | 1,9 TDI | 3) Coull | 04.2003 | | 11.0230-0811.1 | 260137 | CALIPER MOUNT. BRACKET | 7L6 615 425 , 7L6 615 425 A | |
| | | 3) Coull | 06.2006 | | 11.0230-0811.1 | 260137 | CALIPER MOUNT. BRACKET | 7L6 615 425 , 7L6 615 425 A | |
| | | 3) Coull | 01.2006 | | 11.0230-0811.1 | 260137 | CALIPER MOUNT. BRACKET | 7L6 615 425 , 7L6 615 425 A | |
| | 2 | 3) Coull | 06.2003 | | 11.0230-0811.1 | 260137 | CALIPER MOUNT. BRACKET | 7L6 615 425 , 7L6 615 425 A | |
| | 2,5 TDI | 3) Coull | 02.2003 | | 11.0230-0811.1 | 260137 | CALIPER MOUNT. BRACKET | 7L6 615 425 , 7L6 615 425 A | |
| | 2,5 TDI 4motion | 3) Coull | 07.2004 | | 11.0230-0811.1 | 260137 | CALIPER MOUNT. BRACKET | 7L6 615 425 , 7L6 615 425 A | |
| | 3,2 V6 | 3) Coull | 02.2003 | | 11.0230-0811.1 | 260137 | CALIPER MOUNT. BRACKET | 7L6 615 425 , 7L6 615 425 A | |
| | 3,2 V6 4motion | 3) Coull | 07.2004 | | 11.0230-0811.1 | 260137 | CALIPER MOUNT. BRACKET | 7L6 615 425 , 7L6 615 425 A | |
| TRANSPORTER (T5) PRITSCHEN / FAHRGESTELL (03-) | 1,9 TDI | 3) Coull | 01.2006 | | 11.0230-0811.1 | 260137 | CALIPER MOUNT. BRACKET | 7L6 615 425 , 7L6 615 425 A | |
| | | 3) Coull | 04.2003 | | 11.0230-0811.1 | 260137 | CALIPER MOUNT. BRACKET | 7L6 615 425 , 7L6 615 425 A | |
| | | 3) Coull | 06.2006 | | 11.0230-0811.1 | 260137 | CALIPER MOUNT. BRACKET | 7L6 615 425 , 7L6 615 425 A | |
| | 2 | 3) Coull | 06.2003 | | 11.0230-0811.1 | 260137 | CALIPER MOUNT. BRACKET | 7L6 615 425 , 7L6 615 425 A | |
| | 2,5 TDI | 3) Coull | 02.2003 | | 11.0230-0811.1 | 260137 | CALIPER MOUNT. BRACKET | 7L6 615 425 , 7L6 615 425 A | |
| | 2,5 TDI 4motion | 3) Coull | 07.2004 | | 11.0230-0811.1 | 260137 | CALIPER MOUNT. BRACKET | 7L6 615 425 , 7L6 615 425 A | |
| | 3,2 V6 | 3) Coull | 08.2003 | | 11.0230-0811.1 | 260137 | CALIPER MOUNT. BRACKET | 7L6 615 425 , 7L6 615 425 A | |
| | | 3) Coull | 02.2004 | | 11.0230-0811.1 | 260137 | CALIPER MOUNT. BRACKET | 7L6 615 425 , 7L6 615 425 A | |



Bezeichnung

OE-Nummern
zu ATE
Artikelnummern



z.B. Vorsachnummern /
diverse

VOLVO

| | | | | | | | | | |
|-----------------------|------------------|----------|---------|---------|----------------|--------|-----------------------|----------|--|
| C30 Coupe (06-12) | 1,6 | 3) Coull | 09.2006 | 12.2012 | 24.9145-0005.2 | 399009 | HYDRAULIC CONTROL UNI | 36001319 | |
| | 1,6 D | 3) Coull | 09.2006 | 12.2012 | 24.9145-0005.2 | 399009 | HYDRAULIC CONTROL UNI | 36001319 | |
| | 1,6 D Efficiency | 3) Coull | 09.2008 | 12.2012 | 24.9145-0005.2 | 399009 | HYDRAULIC CONTROL UNI | 36001319 | |
| | 1,6 D2 | 3) Coull | 10.2010 | 12.2012 | 24.9145-0005.2 | 399009 | HYDRAULIC CONTROL UNI | 36001319 | |
| | 1,8 | 3) Coull | 09.2006 | 12.2012 | 24.9145-0005.2 | 399009 | HYDRAULIC CONTROL UNI | 36001319 | |
| | 1,8 FlexiFuel | 3) Coull | 04.2007 | 12.2012 | 24.9145-0005.2 | 399009 | HYDRAULIC CONTROL UNI | 36001319 | |
| | 2 | 3) Coull | 09.2006 | 12.2012 | 24.9145-0005.2 | 399009 | HYDRAULIC CONTROL UNI | 36001319 | |
| | 2,0 D | 3) Coull | 09.2006 | 12.2012 | 24.9145-0005.2 | 399009 | HYDRAULIC CONTROL UNI | 36001319 | |
| | 2,0 D3 | 3) Coull | 10.2010 | | 24.9145-0005.2 | 399009 | HYDRAULIC CONTROL UNI | 36001319 | |
| | | 3) Coull | 10.2010 | 12.2012 | 24.9145-0005.2 | 399009 | HYDRAULIC CONTROL UNI | 36001319 | |
| | 2,0 D4 | 3) Coull | 10.2010 | | 24.9145-0005.2 | 399009 | HYDRAULIC CONTROL UNI | 36001319 | |
| | | 3) Coull | 10.2010 | 12.2012 | 24.9145-0005.2 | 399009 | HYDRAULIC CONTROL UNI | 36001319 | |
| | 2,4 D5 | 3) Coull | 10.2006 | 12.2012 | 24.9145-0005.2 | 399009 | HYDRAULIC CONTROL UNI | 36001319 | |
| | | 3) Coull | 09.2006 | 12.2012 | 24.9145-0005.2 | 399009 | HYDRAULIC CONTROL UNI | 36001319 | |
| | 2,4 i | 3) Coull | 09.2006 | 12.2012 | 24.9145-0005.2 | 399009 | HYDRAULIC CONTROL UNI | 36001319 | |
| | 2,5 T5 | 3) Coull | 03.2007 | 12.2012 | 24.9145-0005.2 | 399009 | HYDRAULIC CONTROL UNI | 36001319 | |
| | | 3) Coull | 09.2006 | 12.2012 | 24.9145-0005.2 | 399009 | HYDRAULIC CONTROL UNI | 36001319 | |
| | Electric | 3) Coull | 12.2010 | 12.2012 | 24.9145-0005.2 | 399009 | HYDRAULIC CONTROL UNI | 36001319 | |
| C70 II Cabrio (06-13) | 2,0 D | 3) Coull | 06.2008 | | 24.9145-0005.2 | 399009 | HYDRAULIC CONTROL UNI | 36001319 | |
| | | 3) Coull | | 07.2013 | 24.9145-0005.2 | 399009 | HYDRAULIC CONTROL UNI | 36001319 | |
| | 2,0 D3 | 3) Coull | 10.2010 | | 24.9145-0005.2 | 399009 | HYDRAULIC CONTROL UNI | 36001319 | |



Bezeichnung

OE-Nummern
zu ATE
Artikelnummern



z.B. Vorsachnummern /
diverse

VOLVO

| | | | | | | | | | |
|-----------------------|---------------|----------|---------|---------|----------------|--------|-----------------------|----------|--|
| C70 II Cabrio (06-13) | 2,0 D4 | 3) Coull | 10.2010 | | 24.9145-0005.2 | 399009 | HYDRAULIC CONTROL UNI | 36001319 | |
| | 2,4 | 3) Coull | 03.2006 | | 24.9145-0005.2 | 399009 | HYDRAULIC CONTROL UNI | 36001319 | |
| | | 3) Coull | | 07.2013 | 24.9145-0005.2 | 399009 | HYDRAULIC CONTROL UNI | 36001319 | |
| | 2,4 D | 3) Coull | 03.2007 | | 24.9145-0005.2 | 399009 | HYDRAULIC CONTROL UNI | 36001319 | |
| | | 3) Coull | | 07.2013 | 24.9145-0005.2 | 399009 | HYDRAULIC CONTROL UNI | 36001319 | |
| | 2,4 D5 | 3) Coull | | 07.2013 | 24.9145-0005.2 | 399009 | HYDRAULIC CONTROL UNI | 36001319 | |
| | | 3) Coull | 03.2006 | | 24.9145-0005.2 | 399009 | HYDRAULIC CONTROL UNI | 36001319 | |
| | 2,4 i | 3) Coull | 03.2006 | | 24.9145-0005.2 | 399009 | HYDRAULIC CONTROL UNI | 36001319 | |
| | | 3) Coull | | 07.2013 | 24.9145-0005.2 | 399009 | HYDRAULIC CONTROL UNI | 36001319 | |
| | 2,5 T5 | 3) Coull | 03.2006 | | 24.9145-0005.2 | 399009 | HYDRAULIC CONTROL UNI | 36001319 | |
| | | 3) Coull | 03.2007 | | 24.9145-0005.2 | 399009 | HYDRAULIC CONTROL UNI | 36001319 | |
| | | 3) Coull | | 07.2013 | 24.9145-0005.2 | 399009 | HYDRAULIC CONTROL UNI | 36001319 | |
| S40 II (04-12) | 1,6 D | 3) Coull | 01.2005 | 05.2012 | 24.9145-0005.2 | 399009 | HYDRAULIC CONTROL UNI | 36001319 | |
| | | 3) Coull | 04.2007 | 05.2012 | 24.9145-0005.2 | 399009 | HYDRAULIC CONTROL UNI | 36001319 | |
| | 1,6 i | 3) Coull | 01.2005 | 05.2012 | 24.9145-0005.2 | 399009 | HYDRAULIC CONTROL UNI | 36001319 | |
| | 1,8 | 3) Coull | 04.2004 | 05.2012 | 24.9145-0005.2 | 399009 | HYDRAULIC CONTROL UNI | 36001319 | |
| | 1,8 FlexiFuel | 3) Coull | 04.2007 | 05.2012 | 24.9145-0005.2 | 399009 | HYDRAULIC CONTROL UNI | 36001319 | |
| | 2,0 D | 3) Coull | 01.2004 | 05.2012 | 24.9145-0005.2 | 399009 | HYDRAULIC CONTROL UNI | 36001319 | |
| | 2,0 D4 | 3) Coull | 07.2005 | 05.2012 | 24.9145-0005.2 | 399009 | HYDRAULIC CONTROL UNI | 36001319 | |
| | 2,0 FlexiFuel | 3) Coull | 10.2006 | 05.2012 | 24.9145-0005.2 | 399009 | HYDRAULIC CONTROL UNI | 36001319 | |
| | 2,0 i | 3) Coull | 10.2006 | 05.2012 | 24.9145-0005.2 | 399009 | HYDRAULIC CONTROL UNI | 36001319 | |



Bezeichnung

OE-Nummern
zu ATE
Artikelnummern



z.B. Vorsachnummern /
diverse

VOLVO

| S40 II (04-12) | 2,4 | 3) Coull | 01.2004 | 05.2012 | 24.9145-0005.2 | 399009 | HYDRAULIC CONTROL UNI | 36001319 | | |
|----------------|---------|----------|---------|---------|----------------|--------|-----------------------|----------|--|--|
| | 2,4 4X4 | 3) Coull | 08.2006 | 05.2012 | 24.9145-0005.2 | 399009 | HYDRAULIC CONTROL UNI | 36001319 | | |
| | 2,4 D5 | 3) Coull | 03.2006 | 05.2012 | 24.9145-0005.2 | 399009 | HYDRAULIC CONTROL UNI | 36001319 | | |
| | 2,5 T5 | 3) Coull | 01.2004 | 05.2012 | 24.9145-0005.2 | 399009 | HYDRAULIC CONTROL UNI | 36001319 | | |
| | | 3) Coull | 03.2007 | 05.2012 | 24.9145-0005.2 | 399009 | HYDRAULIC CONTROL UNI | 36001319 | | |
| V40 (12-) | D2 | 3) Coull | 09.2012 | | 03.2125-5016.3 | 011010 | TANDEM MASTER CYLINDE | 36002135 | | |
| | D3 | 3) Coull | 09.2012 | | 03.2125-5016.3 | 011010 | TANDEM MASTER CYLINDE | 36002135 | | |
| | D4 | 3) Coull | 09.2012 | | 03.2125-5016.3 | 011010 | TANDEM MASTER CYLINDE | 36002135 | | |
| | T3 GTDi | 3) Coull | 09.2012 | | 03.2125-5016.3 | 011010 | TANDEM MASTER CYLINDE | 36002135 | | |
| | T4 | 3) Coull | 04.2013 | | 03.2125-5016.3 | 011010 | TANDEM MASTER CYLINDE | 36002135 | | |
| | | 3) Coull | 04.2014 | | 03.2125-5016.3 | 011010 | TANDEM MASTER CYLINDE | 36002135 | | |
| | T4 GTDi | 3) Coull | 09.2012 | | 03.2125-5016.3 | 011010 | TANDEM MASTER CYLINDE | 36002135 | | |
| V50 (04-12) | 1,6 D | 3) Coull | | 05.2012 | 24.9145-0005.2 | 399009 | HYDRAULIC CONTROL UNI | 36001319 | | |
| | | 3) Coull | 01.2005 | | 24.9145-0005.2 | 399009 | HYDRAULIC CONTROL UNI | 36001319 | | |
| | | 3) Coull | 01.2005 | 05.2012 | 24.9145-0005.2 | 399009 | HYDRAULIC CONTROL UNI | 36001319 | | |
| | | 3) Coull | 04.2007 | | 24.9145-0005.2 | 399009 | HYDRAULIC CONTROL UNI | 36001319 | | |
| | | 3) Coull | 04.2007 | 05.2012 | 24.9145-0005.2 | 399009 | HYDRAULIC CONTROL UNI | 36001319 | | |
| | 1,6 D2 | 3) Coull | 01.2010 | | 24.9145-0005.2 | 399009 | HYDRAULIC CONTROL UNI | 36001319 | | |
| | | 3) Coull | | 05.2012 | 24.9145-0005.2 | 399009 | HYDRAULIC CONTROL UNI | 36001319 | | |
| | | 3) Coull | 01.2010 | 05.2012 | 24.9145-0005.2 | 399009 | HYDRAULIC CONTROL UNI | 36001319 | | |
| | 1,6 i | 3) Coull | 01.2005 | | 24.9145-0005.2 | 399009 | HYDRAULIC CONTROL UNI | 36001319 | | |



Bezeichnung

OE-Nummern
zu ATE
Artikelnummern



z.B. Vorsachnummern /
diverse

VOLVO

| V50 (04-12) | 1,6 i | 3) Coull | | 05.2012 | 24.9145-0005.2 | 399009 | HYDRAULIC CONTROL UNI | 36001319 | |
|-------------|---------------|----------|---------|---------|----------------|--------|-----------------------|----------|--|
| | | 3) Coull | 01.2005 | 05.2012 | 24.9145-0005.2 | 399009 | HYDRAULIC CONTROL UNI | 36001319 | |
| | 1,8 | 3) Coull | 04.2004 | 05.2012 | 24.9145-0005.2 | 399009 | HYDRAULIC CONTROL UNI | 36001319 | |
| | | 3) Coull | | 05.2012 | 24.9145-0005.2 | 399009 | HYDRAULIC CONTROL UNI | 36001319 | |
| | | 3) Coull | 04.2004 | | 24.9145-0005.2 | 399009 | HYDRAULIC CONTROL UNI | 36001319 | |
| | 1,8 FlexiFuel | 3) Coull | 04.2007 | | 24.9145-0005.2 | 399009 | HYDRAULIC CONTROL UNI | 36001319 | |
| | | 3) Coull | | 05.2012 | 24.9145-0005.2 | 399009 | HYDRAULIC CONTROL UNI | 36001319 | |
| | | 3) Coull | 04.2007 | 05.2012 | 24.9145-0005.2 | 399009 | HYDRAULIC CONTROL UNI | 36001319 | |
| | 2,0 D | 3) Coull | 04.2004 | 05.2012 | 24.9145-0005.2 | 399009 | HYDRAULIC CONTROL UNI | 36001319 | |
| | | 3) Coull | 04.2004 | | 24.9145-0005.2 | 399009 | HYDRAULIC CONTROL UNI | 36001319 | |
| | | 3) Coull | | 05.2012 | 24.9145-0005.2 | 399009 | HYDRAULIC CONTROL UNI | 36001319 | |
| | 2,0 D3 | 3) Coull | 10.2010 | 05.2012 | 24.9145-0005.2 | 399009 | HYDRAULIC CONTROL UNI | 36001319 | |
| | | 3) Coull | 10.2010 | | 24.9145-0005.2 | 399009 | HYDRAULIC CONTROL UNI | 36001319 | |
| | | 3) Coull | | 05.2012 | 24.9145-0005.2 | 399009 | HYDRAULIC CONTROL UNI | 36001319 | |
| | 2,0 D4 | 3) Coull | 10.2010 | | 24.9145-0005.2 | 399009 | HYDRAULIC CONTROL UNI | 36001319 | |
| | | 3) Coull | | 05.2012 | 24.9145-0005.2 | 399009 | HYDRAULIC CONTROL UNI | 36001319 | |
| | | 3) Coull | 10.2010 | 05.2012 | 24.9145-0005.2 | 399009 | HYDRAULIC CONTROL UNI | 36001319 | |
| | 2,0 FlexiFuel | 3) Coull | 01.2010 | 05.2012 | 24.9145-0005.2 | 399009 | HYDRAULIC CONTROL UNI | 36001319 | |
| | | 3) Coull | 01.2010 | | 24.9145-0005.2 | 399009 | HYDRAULIC CONTROL UNI | 36001319 | |
| | | 3) Coull | | 05.2012 | 24.9145-0005.2 | 399009 | HYDRAULIC CONTROL UNI | 36001319 | |
| | 2,0 i | 3) Coull | 10.2006 | | 24.9145-0005.2 | 399009 | HYDRAULIC CONTROL UNI | 36001319 | |



Bezeichnung

OE-Nummern
zu ATE
Artikelnummern



z.B. Vorsachnummern /
diverse

VOLVO

| | | | | | | | | | |
|-------------|------------|----------|---------|---------|----------------|--------|-----------------------|----------|--|
| V50 (04-12) | 2,0 i | 3) Coull | | 05.2012 | 24.9145-0005.2 | 399009 | HYDRAULIC CONTROL UNI | 36001319 | |
| | | 3) Coull | 10.2006 | 05.2012 | 24.9145-0005.2 | 399009 | HYDRAULIC CONTROL UNI | 36001319 | |
| | 2,4 | 3) Coull | 04.2004 | | 24.9145-0005.2 | 399009 | HYDRAULIC CONTROL UNI | 36001319 | |
| | | 3) Coull | | 05.2012 | 24.9145-0005.2 | 399009 | HYDRAULIC CONTROL UNI | 36001319 | |
| | | 3) Coull | 04.2004 | 05.2012 | 24.9145-0005.2 | 399009 | HYDRAULIC CONTROL UNI | 36001319 | |
| | 2,4 AWD | 3) Coull | 08.2006 | | 24.9145-0005.2 | 399009 | HYDRAULIC CONTROL UNI | 36001319 | |
| | | 3) Coull | | 05.2012 | 24.9145-0005.2 | 399009 | HYDRAULIC CONTROL UNI | 36001319 | |
| | | 3) Coull | 08.2006 | 05.2012 | 24.9145-0005.2 | 399009 | HYDRAULIC CONTROL UNI | 36001319 | |
| | 2,4 D5 | 3) Coull | 03.2006 | 05.2012 | 24.9145-0005.2 | 399009 | HYDRAULIC CONTROL UNI | 36001319 | |
| | | 3) Coull | | 05.2012 | 24.9145-0005.2 | 399009 | HYDRAULIC CONTROL UNI | 36001319 | |
| | | 3) Coull | 03.2006 | | 24.9145-0005.2 | 399009 | HYDRAULIC CONTROL UNI | 36001319 | |
| | 2,4 Tdi | 3) Coull | 05.2007 | 05.2012 | 24.9145-0005.2 | 399009 | HYDRAULIC CONTROL UNI | 36001319 | |
| | | 3) Coull | 05.2007 | | 24.9145-0005.2 | 399009 | HYDRAULIC CONTROL UNI | 36001319 | |
| | | 3) Coull | | 05.2012 | 24.9145-0005.2 | 399009 | HYDRAULIC CONTROL UNI | 36001319 | |
| | 2,5 T5 | 3) Coull | 04.2004 | | 24.9145-0005.2 | 399009 | HYDRAULIC CONTROL UNI | 36001319 | |
| | | 3) Coull | 04.2004 | 05.2012 | 24.9145-0005.2 | 399009 | HYDRAULIC CONTROL UNI | 36001319 | |
| | | 3) Coull | | 05.2012 | 24.9145-0005.2 | 399009 | HYDRAULIC CONTROL UNI | 36001319 | |
| | | 3) Coull | 03.2007 | | 24.9145-0005.2 | 399009 | HYDRAULIC CONTROL UNI | 36001319 | |
| | | 3) Coull | 03.2007 | 05.2012 | 24.9145-0005.2 | 399009 | HYDRAULIC CONTROL UNI | 36001319 | |
| | 2,5 T5 AWD | 3) Coull | 04.2004 | 05.2012 | 24.9145-0005.2 | 399009 | HYDRAULIC CONTROL UNI | 36001319 | |
| | | 3) Coull | 03.2007 | | 24.9145-0005.2 | 399009 | HYDRAULIC CONTROL UNI | 36001319 | |



Bezeichnung

OE-Nummern
zu ATE
Artikelnummern



z.B. Vorsachnummern /
diverse

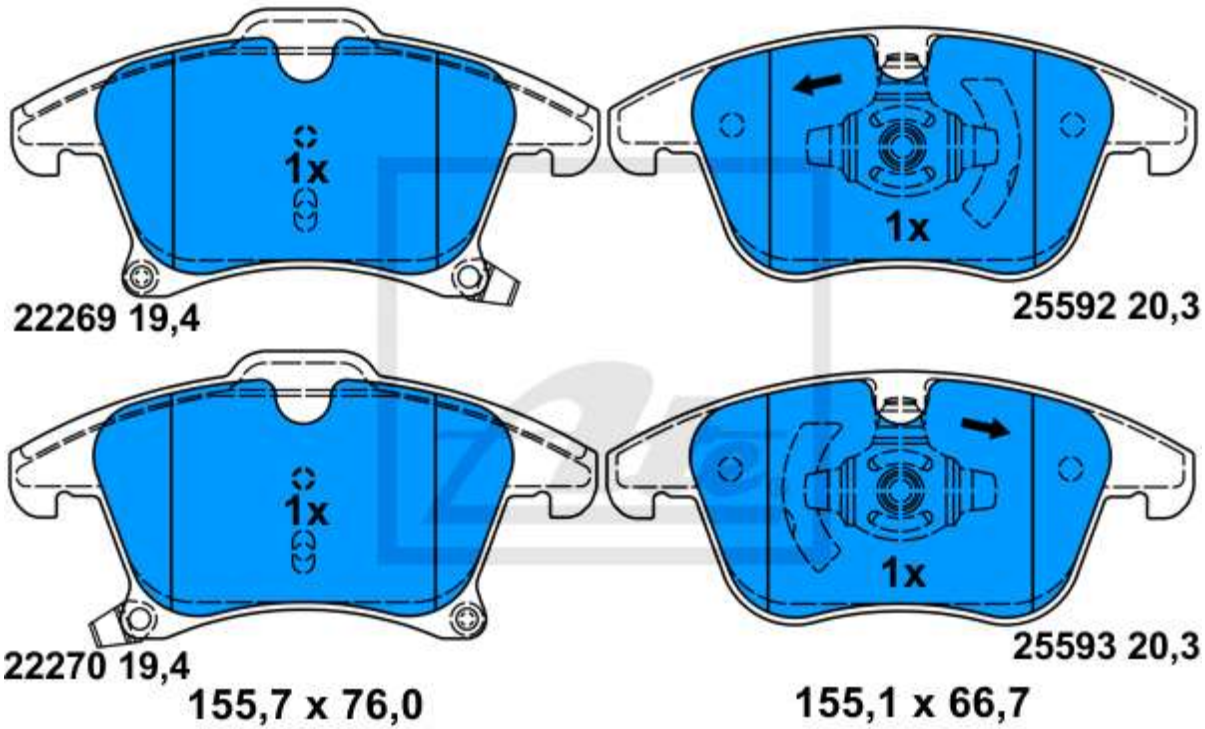
VOLVO

| | | | | | | | | | |
|-------------|---------------|----------|---------|---------|----------------|--------|-----------------------|----------|--|
| V50 (04-12) | 2,5 T5 AWD | 3) Coull | 04.2004 | | 24.9145-0005.2 | 399009 | HYDRAULIC CONTROL UNI | 36001319 | |
| | | 3) Coull | | 05.2012 | 24.9145-0005.2 | 399009 | HYDRAULIC CONTROL UNI | 36001319 | |
| | | 3) Coull | 03.2007 | 05.2012 | 24.9145-0005.2 | 399009 | HYDRAULIC CONTROL UNI | 36001319 | |
| XC90 (14-) | 2,0 D5 AWD | 3) Coull | 09.2014 | | 24.0120-0247.1 | 420247 | BREMSSCHEIBE | 31400779 | |
| | 2,0 T5 AWD | 3) Coull | 06.2015 | | 24.0120-0247.1 | 420247 | BREMSSCHEIBE | 31400779 | |
| | 2,0 T6 AWD | 3) Coull | 09.2014 | | 24.0120-0247.1 | 420247 | BREMSSCHEIBE | 31400779 | |
| | 2,0 T8 Hybrid | 3) Coull | 09.2014 | | 24.0120-0247.1 | 420247 | BREMSSCHEIBE | 31400779 | |
| | D5 AWD | 3) Coull | 09.2014 | | 24.0120-0247.1 | 420247 | BREMSSCHEIBE | 31400779 | |

13.0460-7313.2 607313

Verwendungen:

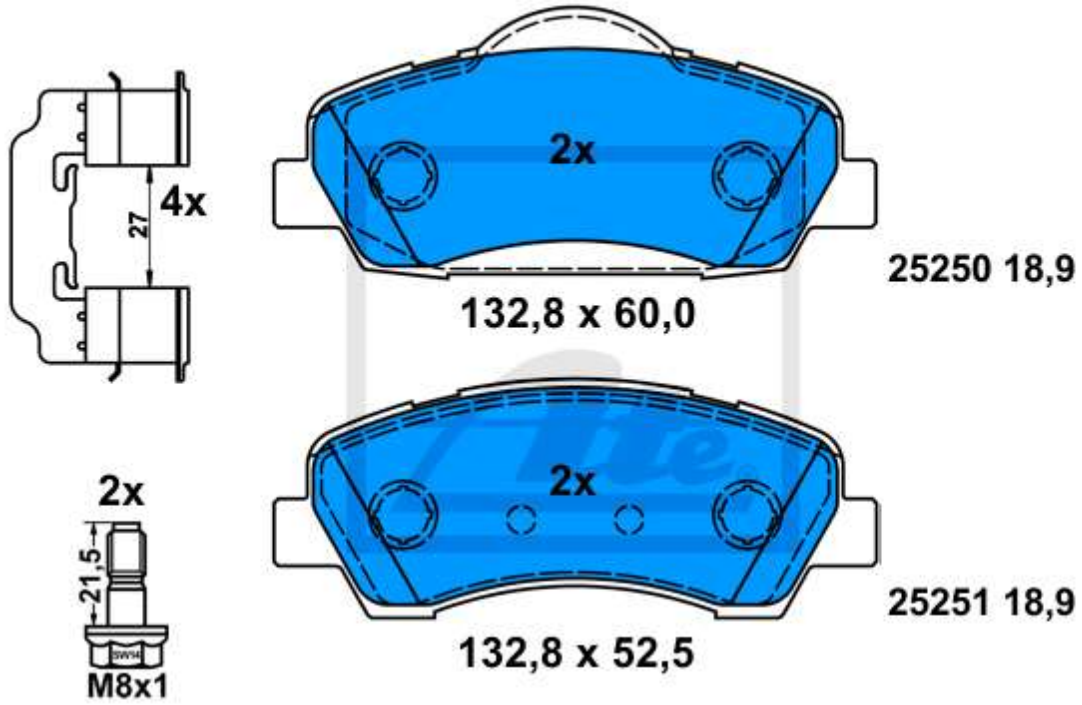
FORD GALAXY III (15-)
FORD MONDEO V (14-)
FORD S-MAX II (15-)



13.0460-3869.2 603869

Verwendungen:

PEUGEOT 308 II (T9) (13-)
PEUGEOT 308 II SW (T9) (14-)



13.0460-7291.2 607291

Verwendungen:

HONDA ACCORD VIII Kombi (08-15)
HONDA ACCORD VIII Limousine (08-15)

