

+ + + + + + + + + +
+ + + + + + + + + +
+ + + + + + + + + +
+ + + + + + + + + +

Neue Teile im Lager

nach Kfz-Verwendungen



06/2008



www.ate.de



| | | | | | | | | |
|--|--|--|--|--|-------------|--|--|----------------------------------|
| | | | | | Bezeichnung | OE-Nummern zu ATE Artikelnummern | | z.B. Vorsachnummern / diverse |
|--|--|--|--|--|-------------|--|--|----------------------------------|

ALFA ROMEO

| | | | | | | | | | |
|--------------|--------------|--|---------|---------|----------------|--------|--------------|-----------------------------------|--|
| 159 (05-) | 1,8 MPI | | 03.2007 | | 24.0112-0170.1 | 412170 | BREMSSCHEIBE | 46843610 , 51760273 , 51767378 | |
| | 1,9 JTDM 16V | | 03.2006 | | 24.0112-0170.1 | 412170 | BREMSSCHEIBE | 46843610 , 51760273 , 51767378 | |
| | | | 06.2005 | 02.2006 | 24.0112-0170.1 | 412170 | BREMSSCHEIBE | 46843610 , 51760273 , 51767378 | |
| | 1,9 JTDM 8V | | 03.2006 | | 24.0112-0170.1 | 412170 | BREMSSCHEIBE | 46843610 , 51760273 , 51767378 | |
| | | | 06.2005 | 02.2006 | 24.0112-0170.1 | 412170 | BREMSSCHEIBE | 46843610 , 51760273 , 51767378 | |
| | 1,9 JTS | | 03.2006 | | 24.0112-0170.1 | 412170 | BREMSSCHEIBE | 46843610 , 51760273 , 51767378 | |
| | | | 06.2005 | 02.2006 | 24.0112-0170.1 | 412170 | BREMSSCHEIBE | 46843610 , 51760273 , 51767378 | |
| | 2,2 JTS | | 03.2006 | | 24.0112-0170.1 | 412170 | BREMSSCHEIBE | 46843610 , 51760273 , 51767378 | |
| | | | 06.2005 | 02.2006 | 24.0112-0170.1 | 412170 | BREMSSCHEIBE | 46843610 , 51760273 , 51767378 | |
| BRERA (06-) | | | 04.2006 | | 24.0112-0170.1 | 412170 | BREMSSCHEIBE | 46843610 , 51760273 , 51767378 | |
| | | | 12.2005 | 03.2006 | 24.0112-0170.1 | 412170 | BREMSSCHEIBE | 46843610 , 51760273 , 51767378 | |
| SPIDER (06-) | | | 06.2006 | | 24.0112-0170.1 | 412170 | BREMSSCHEIBE | 46843610 , 51760273 , 51767378 | |
| | | | 04.2006 | 05.2006 | 24.0112-0170.1 | 412170 | BREMSSCHEIBE | 46843610 , 51760273 , 51767378 | |



| | | | | | | | | |
|--|--|--|--|--|-------------|--|--|----------------------------------|
| | | | | | Bezeichnung | OE-Nummern zu ATE Artikelnummern | | z.B. Vorsachnummern / diverse |
|--|--|--|--|--|-------------|--|--|----------------------------------|

AUDI

| | | | | | | | | | |
|---------------------|-----------------|----|---------|---------|----------------|--------|-------------|-------------|--|
| 100 (83-90) | 2,2 CS | HL | 08.1982 | 12.1987 | 24.3434-1702.5 | 240358 | FAUSTSATTEL | 447 615 424 | |
| | | HL | 08.1982 | 12.1987 | 24.3434-1701.5 | 240357 | FAUSTSATTEL | 447 615 423 | |
| | 2,3 CS | HL | 10.1983 | 12.1987 | 24.3434-1701.5 | 240357 | FAUSTSATTEL | 447 615 423 | |
| | | HL | 10.1983 | 12.1987 | 24.3434-1702.5 | 240358 | FAUSTSATTEL | 447 615 424 | |
| 100 Quattro (85-90) | 1,8 Avant | HL | 10.1984 | 11.1990 | 24.3434-1702.5 | 240358 | FAUSTSATTEL | 447 615 424 | |
| | | HL | 10.1984 | 11.1990 | 24.3434-1701.5 | 240357 | FAUSTSATTEL | 447 615 423 | |
| | 2,2 Avant | HL | 10.1984 | 11.1990 | 24.3434-1701.5 | 240357 | FAUSTSATTEL | 447 615 423 | |
| | | HL | 10.1984 | 11.1990 | 24.3434-1702.5 | 240358 | FAUSTSATTEL | 447 615 424 | |
| | 2,2 Turbo Avant | HL | 03.1986 | 11.1990 | 24.3434-1702.5 | 240358 | FAUSTSATTEL | 447 615 424 | |
| | | HL | 03.1986 | 11.1990 | 24.3434-1701.5 | 240357 | FAUSTSATTEL | 447 615 423 | |
| | 2,3 Avant | HL | 08.1986 | 11.1990 | 24.3434-1702.5 | 240358 | FAUSTSATTEL | 447 615 424 | |
| | | HL | 08.1986 | 11.1990 | 24.3434-1701.5 | 240357 | FAUSTSATTEL | 447 615 423 | |
| 100 Quattro (91-94) | S4 2,2 | HL | 08.1991 | 07.1994 | 24.3434-1702.5 | 240358 | FAUSTSATTEL | 447 615 424 | |
| | | HL | 08.1991 | 07.1994 | 24.3434-1701.5 | 240357 | FAUSTSATTEL | 447 615 423 | |
| | S4 4,2 | HL | 10.1992 | 07.1994 | 24.3434-1702.5 | 240358 | FAUSTSATTEL | 447 615 424 | |
| | | HL | 10.1992 | 07.1994 | 24.3434-1701.5 | 240357 | FAUSTSATTEL | 447 615 423 | |
| 200 Quattro (85-91) | 2,2 Avant | HL | 11.1984 | 11.1990 | 24.3434-1702.5 | 240358 | FAUSTSATTEL | 447 615 424 | |
| | | HL | 11.1984 | 11.1990 | 24.3434-1701.5 | 240357 | FAUSTSATTEL | 447 615 423 | |
| | 2,2 Limousine | HL | 03.1989 | 11.1990 | 24.3434-1702.5 | 240358 | FAUSTSATTEL | 447 615 424 | |



| | | | | | | | |
|---|---|---|---|---|-------------|--|---|
|  |  |  |  |  | Bezeichnung | OE-Nummern zu ATE Artikelnummern |  z.B. Vorsachnummern / diverse |
|---|---|---|---|---|-------------|--|---|

AUDI

| | | | | | | | | | |
|---------------------|---------------|----|---------|---------|----------------|--------|--------------|---------------|--|
| 200 Quattro (85-91) | 2,2 Limousine | HL | 03.1989 | 11.1990 | 24.3434-1701.5 | 240357 | FAUSTSATTEL | 447 615 423 | |
| A6 (C4) (94-97) | S6 2,2 | HL | 06.1994 | 12.1997 | 24.3434-1702.5 | 240358 | FAUSTSATTEL | 447 615 424 | |
| | | HL | 06.1994 | 12.1997 | 24.3434-1701.5 | 240357 | FAUSTSATTEL | 447 615 423 | |
| | S6 4,2 | HL | 09.1994 | 12.1997 | 24.3434-1702.5 | 240358 | FAUSTSATTEL | 447 615 424 | |
| | | HL | 09.1994 | 12.1997 | 24.3434-1701.5 | 240357 | FAUSTSATTEL | 447 615 423 | |
| A6 Allroad (06-) | 2,7 TDI | | 05.2006 | | 24.0112-0176.1 | 412176 | BREMSSCHEIBE | 4F0 615 601 G | |
| | 3,0 TDI | | 05.2006 | | 24.0112-0176.1 | 412176 | BREMSSCHEIBE | 4F0 615 601 G | |
| | 3,2 FSI | | 05.2006 | | 24.0112-0176.1 | 412176 | BREMSSCHEIBE | 4F0 615 601 G | |
| | 4,2 FSI | | 05.2006 | | 24.0112-0176.1 | 412176 | BREMSSCHEIBE | 4F0 615 601 G | |
| QUATTRO (80-91) | 2,2 | HL | 08.1989 | 07.1991 | 24.3434-1701.5 | 240357 | FAUSTSATTEL | 447 615 423 | |
| | | HL | 08.1989 | 07.1991 | 24.3434-1702.5 | 240358 | FAUSTSATTEL | 447 615 424 | |
| V8 (88-94) | 3,6 | HL | 10.1988 | 02.1994 | 24.3434-1701.5 | 240357 | FAUSTSATTEL | 447 615 423 | |
| | | HL | 10.1988 | 02.1994 | 24.3434-1702.5 | 240358 | FAUSTSATTEL | 447 615 424 | |
| | 4,2 | HL | 10.1991 | 02.1994 | 24.3434-1701.5 | 240357 | FAUSTSATTEL | 447 615 423 | |
| | | HL | 10.1991 | 02.1994 | 24.3434-1702.5 | 240358 | FAUSTSATTEL | 447 615 424 | |



| | | | | | | | | |
|--|--|--|--|--|-------------|--|--|----------------------------------|
| | | | | | Bezeichnung | OE-Nummern zu ATE Artikelnummern | | z.B. Vorsachnummern / diverse |
|--|--|--|--|--|-------------|--|--|----------------------------------|

BMW

| | | | | | | | | | |
|-----------------------------|--------|--|---------|--|----------------|--------|-------------|-----------------|---------|
| 5er Reihe/E61 Touring (04-) | M5 | | 02.2007 | | 24.8190-0256.2 | 620256 | WARNKONTAKT | 34 35 2 283 035 | |
| X5 (07-) | 3,0 d | | 01.2007 | | 13.0460-7232.2 | 607232 | BELAGSATZ | 34 21 6 776 937 | s. Abb. |
| | 3,0 si | | 01.2007 | | 13.0460-7232.2 | 607232 | BELAGSATZ | 34 21 6 776 937 | s. Abb. |
| X6 (08-) | 30 d | | 05.2008 | | 13.0460-7232.2 | 607232 | BELAGSATZ | 34 21 6 776 937 | s. Abb. |

CHEVROLET

| | | | | | | | | | |
|---------------|------------|----|---------|--|----------------|--------|-------------|----------------------|--|
| CAPTIVA (06-) | 2 | | 06.2006 | | 03.0137-3011.2 | 653011 | TBB.-SATZ | 96626083 , 48 04 801 | |
| | 2,0 VCDi | | 10.2006 | | 03.0137-3011.2 | 653011 | TBB.-SATZ | 96626083 , 48 04 801 | |
| | 2,4 | | 06.2006 | | 03.0137-3011.2 | 653011 | TBB.-SATZ | 96626083 , 48 04 801 | |
| | | | 12.2006 | | 03.0137-3011.2 | 653011 | TBB.-SATZ | 96626083 , 48 04 801 | |
| | 2,4 AWD | | 12.2006 | | 03.0137-3011.2 | 653011 | TBB.-SATZ | 96626083 , 48 04 801 | |
| | 2,4 FWD | | 06.2006 | | 03.0137-3011.2 | 653011 | TBB.-SATZ | 96626083 , 48 04 801 | |
| | 3,2 | | 06.2006 | | 03.0137-3011.2 | 653011 | TBB.-SATZ | 96626083 , 48 04 801 | |
| MATIZ (05-) | 0,8 (KLA4) | VL | 03.2005 | | 24.3481-1773.5 | 240377 | FAUSTSATTEL | 96288627 , 96316580 | |
| | | VR | 03.2005 | | 24.3481-1774.5 | 240378 | FAUSTSATTEL | 96288628 , 96316600 | |
| | 1,0 (KLA0) | VR | 03.2005 | | 24.3481-1774.5 | 240378 | FAUSTSATTEL | 96288628 , 96316600 | |
| | | VL | 03.2005 | | 24.3481-1773.5 | 240377 | FAUSTSATTEL | 96288627 , 96316580 | |



| | | | | | | | | |
|--|--|--|--|--|-------------|--|--|----------------------------------|
| | | | | | Bezeichnung | OE-Nummern zu ATE Artikelnummern | | z.B. Vorsachnummern / diverse |
|--|--|--|--|--|-------------|--|--|----------------------------------|

CITROEN

| | | | | | | | | | |
|--------------|-----------------|--|---------|--|----------------|--------|-----------|--------------------|--|
| JUMPER (06-) | 2,2 HDi (12/14) | | 04.2006 | | 03.0137-4004.2 | 654004 | TBB.-SATZ | 4241 N5 , 77364023 | |
| | 2,2 HDi (16H) | | 04.2006 | | 03.0137-4004.2 | 654004 | TBB.-SATZ | 4241 N5 , 77364023 | |
| | 2,2 HDi (16L) | | 04.2006 | | 03.0137-4004.2 | 654004 | TBB.-SATZ | 4241 N5 , 77364023 | |
| | 2,2 HDi (20) | | 04.2006 | | 03.0137-4004.2 | 654004 | TBB.-SATZ | 4241 N5 , 77364023 | |
| | 3,0 HDi (12/14) | | 09.2006 | | 03.0137-4004.2 | 654004 | TBB.-SATZ | 4241 N5 , 77364023 | |
| | 3,0 HDi (16H) | | 09.2006 | | 03.0137-4004.2 | 654004 | TBB.-SATZ | 4241 N5 , 77364023 | |
| | 3,0 HDi (16L) | | 09.2006 | | 03.0137-4004.2 | 654004 | TBB.-SATZ | 4241 N5 , 77364023 | |
| | 3,0 HDi (20) | | 09.2006 | | 03.0137-4004.2 | 654004 | TBB.-SATZ | 4241 N5 , 77364023 | |

DAEWOO

| | | | | | | | | | |
|---------------|------------|----|---------|---------|----------------|--------|-------------|---------------------|--|
| MATIZ (98-05) | 0,8 (KLA4) | VR | 07.1998 | 02.2005 | 24.3481-1774.5 | 240378 | FAUSTSATTEL | 96288628 , 96316600 | |
| | | VL | 07.1998 | 02.2005 | 24.3481-1773.5 | 240377 | FAUSTSATTEL | 96288627 , 96316580 | |
| | 1,0 (KLA0) | VL | 01.2003 | 02.2005 | 24.3481-1773.5 | 240377 | FAUSTSATTEL | 96288627 , 96316580 | |
| | | VR | 01.2003 | 02.2005 | 24.3481-1774.5 | 240378 | FAUSTSATTEL | 96288628 , 96316600 | |



| | | | | | | | |
|---|---|---|---|---|-------------|--|---|
|  |  |  |  |  | Bezeichnung | OE-Nummern zu ATE Artikelnummern |  z.B. Vorsachnummern / diverse |
|---|---|---|---|---|-------------|--|---|

FIAT

| | | | | | | | | | |
|---------------|----------------|--|---------|---------|----------------|--------|------------|--------------------|---------|
| 500 (07-) | 1,3 JTD | | 07.2007 | | 13.0460-3846.2 | 603846 | BELAGSATZ | 77364636 | s. Abb. |
| BRAVA (95-01) | 1,2 i 16V | | 12.1998 | 10.2001 | 03.0520-6822.3 | 696822 | ATE TOPKIT | | |
| | 1,4 i 12V | | 12.1998 | 10.2001 | 03.0520-6822.3 | 696822 | ATE TOPKIT | | |
| | 1,6 i 16V | | 12.1998 | 10.2001 | 03.0520-6822.3 | 696822 | ATE TOPKIT | | |
| | 1,8 i 16V | | 12.1998 | 10.2001 | 03.0520-6822.3 | 696822 | ATE TOPKIT | | |
| | 1,9 D | | 12.1998 | 10.2001 | 03.0520-6822.3 | 696822 | ATE TOPKIT | | |
| | 1,9 JTD | | 12.1998 | 10.2001 | 03.0520-6822.3 | 696822 | ATE TOPKIT | | |
| | 1,9 TD | | 12.1998 | 10.2001 | 03.0520-6822.3 | 696822 | ATE TOPKIT | | |
| BRAVO (95-01) | 1,2 i 16V | | 12.1998 | 10.2001 | 03.0520-6822.3 | 696822 | ATE TOPKIT | | |
| | 1,4 i 12V | | 12.1998 | 10.2001 | 03.0520-6822.3 | 696822 | ATE TOPKIT | | |
| | 1,6 i 16V | | 12.1998 | 10.2001 | 03.0520-6822.3 | 696822 | ATE TOPKIT | | |
| | 1,8 i 16V | | 12.1998 | 10.2001 | 03.0520-6822.3 | 696822 | ATE TOPKIT | | |
| | 1,9 D | | 12.1998 | 10.2001 | 03.0520-6822.3 | 696822 | ATE TOPKIT | | |
| | 1,9 JTD | | 12.1998 | 10.2001 | 03.0520-6822.3 | 696822 | ATE TOPKIT | | |
| | 1,9 TD | | 12.1998 | 10.2001 | 03.0520-6822.3 | 696822 | ATE TOPKIT | | |
| DUCATO (06-) | 2,2 JTD (Q11) | | 07.2006 | | 03.0137-4004.2 | 654004 | TBB.-SATZ | 4241 N5 , 77364023 | |
| | 2,2 JTD (Q15) | | 07.2006 | | 03.0137-4004.2 | 654004 | TBB.-SATZ | 4241 N5 , 77364023 | |
| | 2,2 JTD (Q17H) | | 07.2006 | | 03.0137-4004.2 | 654004 | TBB.-SATZ | 4241 N5 , 77364023 | |
| | 2,2 JTD (Q17L) | | 07.2006 | | 03.0137-4004.2 | 654004 | TBB.-SATZ | 4241 N5 , 77364023 | |
| | 2,2 JTD (Q20) | | 07.2006 | | 03.0137-4004.2 | 654004 | TBB.-SATZ | 4241 N5 , 77364023 | |
| | 2,3 JTD (Q11) | | 07.2006 | | 03.0137-4004.2 | 654004 | TBB.-SATZ | 4241 N5 , 77364023 | |



| | | | | | | | |
|--|----------|--|--|--|--------------------|---|--|
| | i | | | | Bezeichnung | OE-Nummern zu ATE Artikelnummern | i z.B. Vorsachnummern / diverse |
|--|----------|--|--|--|--------------------|---|--|

FIAT

| | | | | | | | | | |
|--------------------|--------------------|--|---------|---------|----------------|--------|---------------|--|--|
| DUCATO (06-) | 2,3 JTD (Q15) | | 07.2006 | | 03.0137-4004.2 | 654004 | TBB.-SATZ | 4241 N5 , 77364023 | |
| | 2,3 JTD (Q17H) | | 07.2006 | | 03.0137-4004.2 | 654004 | TBB.-SATZ | 4241 N5 , 77364023 | |
| | 2,3 JTD (Q17L) | | 07.2006 | | 03.0137-4004.2 | 654004 | TBB.-SATZ | 4241 N5 , 77364023 | |
| | 2,3 JTD (Q20) | | 07.2006 | | 03.0137-4004.2 | 654004 | TBB.-SATZ | 4241 N5 , 77364023 | |
| | 3,0 JTD (Q11) | | 07.2006 | | 03.0137-4004.2 | 654004 | TBB.-SATZ | 4241 N5 , 77364023 | |
| | 3,0 JTD (Q15) | | 07.2006 | | 03.0137-4004.2 | 654004 | TBB.-SATZ | 4241 N5 , 77364023 | |
| | 3,0 JTD (Q17H) | | 07.2006 | | 03.0137-4004.2 | 654004 | TBB.-SATZ | 4241 N5 , 77364023 | |
| | 3,0 JTD (Q17L) | | 07.2006 | | 03.0137-4004.2 | 654004 | TBB.-SATZ | 4241 N5 , 77364023 | |
| | 3,0 JTD (Q20) | | 07.2006 | | 03.0137-4004.2 | 654004 | TBB.-SATZ | 4241 N5 , 77364023 | |
| GRANDE PUNTO (06-) | 1,4 i 16V | | 02.2006 | | 24.0110-0323.1 | 410323 | BREMSSSCHEIBE | 5 69 418 , 93190227 , 55700593 , 55700592 | |
| | 1,4 i 16V Turbo | | 07.2007 | | 24.0110-0323.1 | 410323 | BREMSSSCHEIBE | 5 69 418 , 93190227 , 55700593 , 55700592 | |
| | 1,4 i Turbo Abarth | | 10.2007 | | 24.0110-0323.1 | 410323 | BREMSSSCHEIBE | 5 69 418 , 93190227 , 55700593 , 55700592 | |
| | 1,9 JTD | | 10.2005 | | 24.0110-0323.1 | 410323 | BREMSSSCHEIBE | 5 69 418 , 93190227 , 55700593 , 55700592 | |
| | | | 02.2006 | | 24.0110-0323.1 | 410323 | BREMSSSCHEIBE | 5 69 418 , 93190227 , 55700593 , 55700592 | |
| MAREA (96-02) | 1,2 i 16V | | 04.1999 | 12.2002 | 03.0520-6822.3 | 696822 | ATE TOPKIT | | |
| | 1,4 i 12V | | 04.1997 | 12.2002 | 03.0520-6822.3 | 696822 | ATE TOPKIT | | |
| | 1,6 i 16V Lim, | | 04.1997 | 12.2002 | 03.0520-6822.3 | 696822 | ATE TOPKIT | | |



| | | | | | | | | |
|--|--|--|--|--|-------------|--|--|----------------------------------|
| | | | | | Bezeichnung | OE-Nummern zu ATE Artikelnummern | | z.B. Vorsachnummern / diverse |
|--|--|--|--|--|-------------|--|--|----------------------------------|

FIAT

| | | | | | | | | | |
|---------------|----------------|--|---------|---------|----------------|--------|--------------|------------------------|--|
| MAREA (96-02) | 1,8 i 16V Lim, | | 04.1997 | 12.2002 | 03.0520-6822.3 | 696822 | ATE TOPKIT | | |
| | 1,9 JTD Lim, | | 04.1999 | 12.2002 | 03.0520-6822.3 | 696822 | ATE TOPKIT | | |
| | 1,9 TD Lim, | | 04.1997 | 12.2002 | 03.0520-6822.3 | 696822 | ATE TOPKIT | | |
| SEDICI (06-) | 1,6 i 16V | | 04.2006 | | 24.0122-0252.1 | 422252 | BREMSSCHEIBE | 71742850 , 55311-79J01 | |
| | 1,9 JTD | | 04.2006 | | 24.0122-0252.1 | 422252 | BREMSSCHEIBE | 71742850 , 55311-79J01 | |

FORD

| | | | | | | | | | |
|----------------|------------|--|---------|--|----------------|--------|---------------|--|--|
| FIESTA V (02-) | 1,25 i 16V | | 05.2002 | | 83.7769-0470.3 | 330869 | BREMSSCHLAUCH | 1437504 , 2S61 2078-AE , 2S61 2078-AF , 1120141 | |
| | | | 03.2003 | | 83.7769-0470.3 | 330869 | BREMSSCHLAUCH | 1437504 , 2S61 2078-AE , 2S61 2078-AF , 1120141 | |
| | 1,3 i | | 04.2002 | | 83.7769-0470.3 | 330869 | BREMSSCHLAUCH | 1437504 , 2S61 2078-AE , 2S61 2078-AF , 1120141 | |
| | 1,4 i 16V | | 04.2002 | | 83.7769-0470.3 | 330869 | BREMSSCHLAUCH | 1437504 , 2S61 2078-AE , 2S61 2078-AF , 1120141 | |
| | 1,4 TDCi | | 04.2002 | | 83.7769-0470.3 | 330869 | BREMSSCHLAUCH | 1437504 , 2S61 2078-AE , 2S61 2078-AF , 1120141 | |
| | 1,6 i 16V | | 04.2002 | | 83.7769-0470.3 | 330869 | BREMSSCHLAUCH | 1437504 , 2S61 2078-AE , 2S61 2078-AF , 1120141 | |
| | 1,6 TDCi | | 10.2004 | | 83.7769-0470.3 | 330869 | BREMSSCHLAUCH | 1437504 , 2S61 2078-AE , 2S61 2078-AF , 1120141 | |



| | | | | | | | |
|--|----------|--|--|--|--------------------|---|--|
| | i | | | | Bezeichnung | OE-Nummern zu ATE Artikelnummern | i z.B. Vorsachnummern / diverse |
|--|----------|--|--|--|--------------------|---|--|

KIA

| | | | | | | | | | |
|------------------------|-----------|--|---------|---------|----------------|--------|--------------|--|--|
| MENTOR I (GB) (96-01) | 1,5 16V | | 01.1996 | 04.2001 | 24.0110-0301.1 | 410301 | BREMSSCHEIBE | OK2AA-26-251A , OK2AA-26-251 , OK2AA-26-251B | |
| MENTOR II (GB) (01-04) | 1,6 i 16V | | 05.2001 | 08.2004 | 24.0110-0301.1 | 410301 | BREMSSCHEIBE | OK2AA-26-251A , OK2AA-26-251 , OK2AA-26-251B | |
| SEPHIA II (01-04) | | | 05.2001 | 08.2004 | 24.0110-0301.1 | 410301 | BREMSSCHEIBE | OK2AA-26-251A , OK2AA-26-251 , OK2AA-26-251B | |
| SHUMA I (97-01) | 1,5 i 16V | | 10.1997 | 04.2001 | 24.0110-0301.1 | 410301 | BREMSSCHEIBE | OK2AA-26-251A , OK2AA-26-251 , OK2AA-26-251B | |
| | 1,8 i 16V | | 10.1997 | 04.2001 | 24.0110-0301.1 | 410301 | BREMSSCHEIBE | OK2AA-26-251A , OK2AA-26-251 , OK2AA-26-251B | |
| SHUMA II (01-04) | 1,6 i 16V | | 05.2001 | 08.2004 | 24.0110-0301.1 | 410301 | BREMSSCHEIBE | OK2AA-26-251A , OK2AA-26-251 , OK2AA-26-251B | |
| | 1,8 i 16V | | 04.2003 | 08.2004 | 24.0110-0301.1 | 410301 | BREMSSCHEIBE | OK2AA-26-251A , OK2AA-26-251 , OK2AA-26-251B | |



| | | | | | | | |
|---|---|---|---|---|-------------|--|---|
|  |  |  |  |  | Bezeichnung | OE-Nummern zu ATE Artikelnummern |  z.B. Vorsachnummern / diverse |
|---|---|---|---|---|-------------|--|---|

MERCEDES BENZ

| | | | | | | | | | |
|-------------------------------|----------------|--|---------|--|----------------|--------|--------------|-------------------------------|---------|
| CL-Klasse (C216) Coupe (06-) | CL 500 | | 07.2006 | | 13.0460-4817.2 | 604817 | BELAGSATZ | 004 420 62 20 , 004 420 80 20 | s. Abb. |
| | CL 500 4 Matic | | 03.2008 | | 13.0460-4817.2 | 604817 | BELAGSATZ | 004 420 62 20 , 004 420 80 20 | s. Abb. |
| CLS-Klasse (C219) Coupe (04-) | CLS 500 | | 04.2006 | | 13.0460-4817.2 | 604817 | BELAGSATZ | 004 420 62 20 , 004 420 80 20 | s. Abb. |
| GL-Klasse (X164) (06-) | GL 320 CDI | | 03.2006 | | 24.0122-0226.1 | 422226 | BREMSSCHEIBE | 164 423 06 12 | |
| | | | 03.2006 | | 13.0460-7219.2 | 607219 | BELAGSATZ | 004 420 52 20 | s. Abb. |
| | GL 420 CDI | | 03.2006 | | 24.0122-0226.1 | 422226 | BREMSSCHEIBE | 164 423 06 12 | |
| | | | 03.2006 | | 13.0460-7219.2 | 607219 | BELAGSATZ | 004 420 52 20 | s. Abb. |
| | GL 450 | | 03.2006 | | 24.0122-0226.1 | 422226 | BREMSSCHEIBE | 164 423 06 12 | |
| | | | 03.2006 | | 13.0460-7219.2 | 607219 | BELAGSATZ | 004 420 52 20 | s. Abb. |
| | GL 500 | | 03.2006 | | 24.0122-0226.1 | 422226 | BREMSSCHEIBE | 164 423 06 12 | |
| | | | 03.2006 | | 13.0460-7219.2 | 607219 | BELAGSATZ | 004 420 52 20 | s. Abb. |
| M-Klasse (W164) (05-) | ML 280 CDI | | 07.2005 | | 13.0460-7219.2 | 607219 | BELAGSATZ | 004 420 52 20 | s. Abb. |
| | ML 320 CDI | | 07.2005 | | 13.0460-7219.2 | 607219 | BELAGSATZ | 004 420 52 20 | s. Abb. |
| | ML 350 | | 07.2005 | | 13.0460-7219.2 | 607219 | BELAGSATZ | 004 420 52 20 | s. Abb. |
| | ML 420 CDI | | 04.2006 | | 24.0122-0226.1 | 422226 | BREMSSCHEIBE | 164 423 06 12 | |
| | | | 04.2006 | | 13.0460-7219.2 | 607219 | BELAGSATZ | 004 420 52 20 | s. Abb. |
| | ML 500 | | 07.2005 | | 24.0122-0226.1 | 422226 | BREMSSCHEIBE | 164 423 06 12 | |
| | | | 07.2005 | | 13.0460-7219.2 | 607219 | BELAGSATZ | 004 420 52 20 | s. Abb. |



| | | | | | | | |
|---|---|---|---|---|-------------|--|---|
|  |  |  |  |  | Bezeichnung | OE-Nummern zu ATE Artikelnummern |  z.B. Vorsachnummern / diverse |
|---|---|---|---|---|-------------|--|---|

MERCEDES BENZ

| | | | | | | | | | |
|-----------------------|-------------------|--|---------|--|----------------|--------|--------------|-------------------------------|---------|
| M-Klasse (W164) (05-) | ML 63 AMG | | 09.2005 | | 24.0122-0226.1 | 422226 | BREMSSCHEIBE | 164 423 06 12 | |
| | | | 09.2005 | | 13.0460-7219.2 | 607219 | BELAGSATZ | 004 420 52 20 | s. Abb. |
| R-Klasse (R251) (06-) | R 280 | | 01.2007 | | 13.0460-7219.2 | 607219 | BELAGSATZ | 004 420 52 20 | s. Abb. |
| | R 280 CDI | | 11.2005 | | 13.0460-7219.2 | 607219 | BELAGSATZ | 004 420 52 20 | s. Abb. |
| | R 300 | | 01.2007 | | 13.0460-7219.2 | 607219 | BELAGSATZ | 004 420 52 20 | s. Abb. |
| | R 320 CDI | | 11.2005 | | 13.0460-7219.2 | 607219 | BELAGSATZ | 004 420 52 20 | s. Abb. |
| | R 350 | | 11.2005 | | 13.0460-7219.2 | 607219 | BELAGSATZ | 004 420 52 20 | s. Abb. |
| | R 500 | | 11.2005 | | 24.0122-0226.1 | 422226 | BREMSSCHEIBE | 164 423 06 12 | |
| | | | 11.2005 | | 13.0460-7219.2 | 607219 | BELAGSATZ | 004 420 52 20 | s. Abb. |
| | R 63 AMG | | 11.2005 | | 24.0122-0226.1 | 422226 | BREMSSCHEIBE | 164 423 06 12 | |
| | | | 11.2005 | | 13.0460-7219.2 | 607219 | BELAGSATZ | 004 420 52 20 | s. Abb. |
| S-Klasse (W221) (06-) | S 280 | | 04.2006 | | 13.0460-4817.2 | 604817 | BELAGSATZ | 004 420 62 20 , 004 420 80 20 | s. Abb. |
| | S 320 CDI | | 12.2005 | | 13.0460-4817.2 | 604817 | BELAGSATZ | 004 420 62 20 , 004 420 80 20 | s. Abb. |
| | S 320 CDI 4-Matic | | 05.2006 | | 13.0460-4817.2 | 604817 | BELAGSATZ | 004 420 62 20 , 004 420 80 20 | s. Abb. |
| | S 350 | | 12.2005 | | 13.0460-4817.2 | 604817 | BELAGSATZ | 004 420 62 20 , 004 420 80 20 | s. Abb. |
| | S 350 4-Matic | | 02.2007 | | 13.0460-4817.2 | 604817 | BELAGSATZ | 004 420 62 20 , 004 420 80 20 | s. Abb. |
| | S 420 CDI | | 04.2006 | | 13.0460-4817.2 | 604817 | BELAGSATZ | 004 420 62 20 , 004 420 80 20 | s. Abb. |



| | | | | | | | |
|---|---|---|---|---|-------------|--|---|
|  |  |  |  |  | Bezeichnung | OE-Nummern zu ATE Artikelnummern |  z.B. Vorsachnummern / diverse |
|---|---|---|---|---|-------------|--|---|

MERCEDES BENZ

| | | | | | | | | | |
|-------------------------------------|---------------|--|---------|--|----------------|--------|---------------|-------------------------------|---------|
| S-Klasse (W221) (06-) | S 450 | | 04.2006 | | 13.0460-4817.2 | 604817 | BELAGSATZ | 004 420 62 20 , 004 420 80 20 | s. Abb. |
| | S 450 4-Matic | | 04.2006 | | 13.0460-4817.2 | 604817 | BELAGSATZ | 004 420 62 20 , 004 420 80 20 | s. Abb. |
| | S 500 | | 12.2005 | | 13.0460-4817.2 | 604817 | BELAGSATZ | 004 420 62 20 , 004 420 80 20 | s. Abb. |
| | S 500 4-Matic | | 04.2006 | | 13.0460-4817.2 | 604817 | BELAGSATZ | 004 420 62 20 , 004 420 80 20 | s. Abb. |
| SL-Klasse (R230) (01-) | SL 280 | | 11.2007 | | 13.0460-4817.2 | 604817 | BELAGSATZ | 004 420 62 20 , 004 420 80 20 | s. Abb. |
| Transporter (BM 906) SPRINTER (06-) | 209 CDI | | 04.2006 | | 24.0116-0121.1 | 416121 | BREMSSSCHEIBE | 906 423 00 12 , 2E0 615 601 A | |
| | | | 04.2006 | | 03.0137-4003.2 | 654003 | TBB.-SATZ | 906 420 03 20 , 2E0 698 525 | |
| | 211 CDI | | 04.2006 | | 24.0116-0121.1 | 416121 | BREMSSSCHEIBE | 906 423 00 12 , 2E0 615 601 A | |
| | | | 04.2006 | | 03.0137-4003.2 | 654003 | TBB.-SATZ | 906 420 03 20 , 2E0 698 525 | |
| | 213 CDI | | 04.2006 | | 24.0116-0121.1 | 416121 | BREMSSSCHEIBE | 906 423 00 12 , 2E0 615 601 A | |
| | | | 04.2006 | | 03.0137-4003.2 | 654003 | TBB.-SATZ | 906 420 03 20 , 2E0 698 525 | |
| | 215 CDI | | 04.2006 | | 24.0116-0121.1 | 416121 | BREMSSSCHEIBE | 906 423 00 12 , 2E0 615 601 A | |
| | | | 04.2006 | | 03.0137-4003.2 | 654003 | TBB.-SATZ | 906 420 03 20 , 2E0 698 525 | |
| | 218 CDI | | 04.2006 | | 24.0116-0121.1 | 416121 | BREMSSSCHEIBE | 906 423 00 12 , 2E0 615 601 A | |
| | | | 04.2006 | | 03.0137-4003.2 | 654003 | TBB.-SATZ | 906 420 03 20 , 2E0 698 525 | |



| | | | | | | | |
|---|---|---|---|---|-------------|--|---|
|  |  |  |  |  | Bezeichnung | OE-Nummern zu ATE Artikelnummern |  z.B. Vorsachnummern / diverse |
|---|---|---|---|---|-------------|--|---|

MERCEDES BENZ

| | | | | | | | | | |
|-------------------------------------|---------|--|---------|--|----------------|--------|--------------|----------------------------------|--|
| Transporter (BM 906) SPRINTER (06-) | 224 | | 04.2006 | | 24.0116-0121.1 | 416121 | BREMSSCHEIBE | 906 423 00 12 , 2E0 615 601 A | |
| | | | 04.2006 | | 03.0137-4003.2 | 654003 | TBB.-SATZ | 906 420 03 20 , 2E0 698 525 | |
| | 309 CDI | | 04.2006 | | 24.0116-0121.1 | 416121 | BREMSSCHEIBE | 906 423 00 12 , 2E0 615 601 A | |
| | | | 04.2006 | | 03.0137-4003.2 | 654003 | TBB.-SATZ | 906 420 03 20 , 2E0 698 525 | |
| | 311 CDI | | 04.2006 | | 24.0116-0121.1 | 416121 | BREMSSCHEIBE | 906 423 00 12 , 2E0 615 601 A | |
| | | | 04.2006 | | 03.0137-4003.2 | 654003 | TBB.-SATZ | 906 420 03 20 , 2E0 698 525 | |
| | 313 CDI | | 04.2006 | | 24.0116-0121.1 | 416121 | BREMSSCHEIBE | 906 423 00 12 , 2E0 615 601 A | |
| | | | 04.2006 | | 03.0137-4003.2 | 654003 | TBB.-SATZ | 906 420 03 20 , 2E0 698 525 | |
| | 315 CDI | | 04.2006 | | 24.0116-0121.1 | 416121 | BREMSSCHEIBE | 906 423 00 12 , 2E0 615 601 A | |
| | | | 04.2006 | | 03.0137-4003.2 | 654003 | TBB.-SATZ | 906 420 03 20 , 2E0 698 525 | |
| | 318 CDI | | 04.2006 | | 24.0116-0121.1 | 416121 | BREMSSCHEIBE | 906 423 00 12 , 2E0 615 601 A | |
| | | | 04.2006 | | 03.0137-4003.2 | 654003 | TBB.-SATZ | 906 420 03 20 , 2E0 698 525 | |
| | 324 | | 04.2006 | | 24.0116-0121.1 | 416121 | BREMSSCHEIBE | 906 423 00 12 , 2E0 615 601 A | |
| | | | 04.2006 | | 03.0137-4003.2 | 654003 | TBB.-SATZ | 906 420 03 20 , 2E0 698 525 | |
| | 411 CDI | | 04.2006 | | 03.0137-4003.2 | 654003 | TBB.-SATZ | 906 420 03 20 , 2E0 698 525 | |
| | 415 CDI | | 04.2006 | | 03.0137-4003.2 | 654003 | TBB.-SATZ | 906 420 03 20 , 2E0 698 525 | |



| | | | | | | | |
|--|----------|--|--|--|-------------|--|--|
| | i | | | | Bezeichnung | OE-Nummern zu ATE Artikelnummern | i z.B. Vorsachnummern / diverse |
|--|----------|--|--|--|-------------|--|--|

MERCEDES BENZ

| | | | | | | | | | |
|-------------------------------------|-------------|--|---------|--|----------------|--------|--------------|-----------------------------|--|
| Transporter (BM 906) SPRINTER (06-) | 418 CDI | | 04.2006 | | 03.0137-4003.2 | 654003 | TBB.-SATZ | 906 420 03 20 , 2E0 698 525 | |
| | 424 | | 04.2006 | | 03.0137-4003.2 | 654003 | TBB.-SATZ | 906 420 03 20 , 2E0 698 525 | |
| | 509 CDI | | 04.2006 | | 03.0137-4003.2 | 654003 | TBB.-SATZ | 906 420 03 20 , 2E0 698 525 | |
| | 511 CDI | | 04.2006 | | 03.0137-4003.2 | 654003 | TBB.-SATZ | 906 420 03 20 , 2E0 698 525 | |
| | 515 CDI | | 04.2006 | | 03.0137-4003.2 | 654003 | TBB.-SATZ | 906 420 03 20 , 2E0 698 525 | |
| | 518 CDI | | 04.2006 | | 03.0137-4003.2 | 654003 | TBB.-SATZ | 906 420 03 20 , 2E0 698 525 | |
| | 524 | | 04.2006 | | 03.0137-4003.2 | 654003 | TBB.-SATZ | 906 420 03 20 , 2E0 698 525 | |
| Transporter VARIO (96-) | VARIO 512 D | | 09.1996 | | 24.0130-0190.1 | 430190 | BREMSSCHEIBE | 668 423 00 12 | |
| | VARIO 612 D | | 09.1996 | | 24.0130-0190.1 | 430190 | BREMSSCHEIBE | 668 423 00 12 | |
| | VARIO 812 D | | 09.1996 | | 24.0130-0190.1 | 430190 | BREMSSCHEIBE | 668 423 00 12 | |



| | | | | | | | |
|--|--|--|--|--|-------------|--|----------------------------------|
| | | | | | Bezeichnung | OE-Nummern zu ATE Artikelnummern | |
| | | | | | | | z.B. Vorsachnummern / diverse |

MINI

| | | | | | | | | | |
|-------------------|----------------------|--|---------|---------|----------------|--------|-----------|-----------------------------------|---------|
| R50/R53 (00-06) | Cooper S Works 1,6 i | | 03.2006 | 11.2006 | 13.0460-2725.2 | 602725 | BELAGSATZ | 34 11 6 778 320 , 34 11 6 770 251 | s. Abb. |
| | | | 11.2003 | 02.2006 | 13.0460-2725.2 | 602725 | BELAGSATZ | 34 11 6 778 320 , 34 11 6 770 251 | s. Abb. |
| R52 Cabrio (04-) | | | 06.2006 | | 13.0460-2725.2 | 602725 | BELAGSATZ | 34 11 6 778 320 , 34 11 6 770 251 | s. Abb. |
| | | | 11.2003 | 05.2006 | 13.0460-2725.2 | 602725 | BELAGSATZ | 34 11 6 778 320 , 34 11 6 770 251 | s. Abb. |
| R55 Clubman (07-) | Cooper S | | 09.2007 | | 13.0460-2725.2 | 602725 | BELAGSATZ | 34 11 6 778 320 , 34 11 6 770 251 | s. Abb. |
| R56 (06-) | | | 11.2006 | | 13.0460-2725.2 | 602725 | BELAGSATZ | 34 11 6 778 320 , 34 11 6 770 251 | s. Abb. |

MITSUBISHI

| | | | | | | | | | |
|----------------|---------------|--|---------|---------|----------------|--------|--------------|----------|--|
| PAJERO (90-00) | 3,5 V6 (V25W) | | 11.1993 | 03.2000 | 24.0127-0101.1 | 427101 | BREMSSCHEIBE | MB928120 | |
| | 3,5 V6 (V45W) | | 11.1993 | 03.2000 | 24.0127-0101.1 | 427101 | BREMSSCHEIBE | MB928120 | |

NISSAN

| | | | | | | | | | |
|----------------------|-------|--|---------|---------|----------------|--------|---------------|---------------------------|--|
| ALMERA (N15) (95-00) | 1,4 i | | 11.1998 | 04.2000 | 24.3728-1707.2 | 591707 | KUPPLUNGSSEIL | 30770-2M115 , 30770-2M117 | |
| | 1,6 i | | 11.1998 | 04.2000 | 24.3728-1707.2 | 591707 | KUPPLUNGSSEIL | 30770-2M115 , 30770-2M117 | |



| | | | | | | | |
|--|--|--|--|--|-------------|--|--------------------------------------|
| | | | | | Bezeichnung | OE-Nummern zu ATE Artikelnummern | z.B. Vorsachnummern / diverse |
|--|--|--|--|--|-------------|--|--------------------------------------|

OPEL

| | | | | | | | | | |
|---------------------------------------|---------------|----|---------|--|----------------|--------|---------------|---|--|
| AGILA (00-07) | 1,0 12V | RH | 09.2000 | | 24.3727-0774.2 | 580774 | HANDBREMSSEIL | 47 05 631 , 9209926 , 47 00 357 , 9203995 | |
| | | RH | | | 24.3727-0772.2 | 580772 | HANDBREMSSEIL | 47 05 707 , 9210312 | |
| | 1,2 16V | RH | | | 24.3727-0772.2 | 580772 | HANDBREMSSEIL | 47 05 707 , 9210312 | |
| | | RH | 09.2000 | | 24.3727-0774.2 | 580774 | HANDBREMSSEIL | 47 05 631 , 9209926 , 47 00 357 , 9203995 | |
| ANTARA (06-) | 2,0 CDTI | | 07.2006 | | 03.0137-3011.2 | 653011 | TBB.-SATZ | 96626083 , 48 04 801 | |
| | | | 03.2007 | | 03.0137-3011.2 | 653011 | TBB.-SATZ | 96626083 , 48 04 801 | |
| | 2,4 | | 07.2006 | | 03.0137-3011.2 | 653011 | TBB.-SATZ | 96626083 , 48 04 801 | |
| | 3,2 V6 | | 07.2006 | | 03.0137-3011.2 | 653011 | TBB.-SATZ | 96626083 , 48 04 801 | |
| CORSA D / Vauxhall Corsa MK III (06-) | 1,6 Turbo GSI | | 06.2007 | | 24.0110-0323.1 | 410323 | BREMSSCHEIBE | 5 69 418 , 93190227 , 55700593 , 55700592 | |
| | 1,6 Turbo OPC | | 03.2007 | | 24.0110-0323.1 | 410323 | BREMSSCHEIBE | 5 69 418 , 93190227 , 55700593 , 55700592 | |
| | 1,7 CDTI | | 10.2006 | | 24.0110-0323.1 | 410323 | BREMSSCHEIBE | 5 69 418 , 93190227 , 55700593 , 55700592 | |



| | | | | | | | |
|--|--|--|--|--|-------------|--|----------------------------------|
| | | | | | Bezeichnung | OE-Nummern zu ATE Artikelnummern | |
| | | | | | | | z.B. Vorsachnummern / diverse |

PEUGEOT

| | | | | | | | | | |
|-----------------|-----------------|--|---------|--|----------------|--------|--------------|--------------------|--|
| 407 Coupe (05-) | 2,0 HDi | | 07.2007 | | 24.0112-0174.1 | 412174 | BREMSSCHEIBE | 4249 14 | |
| | 2,2 16V | | 10.2005 | | 24.0112-0174.1 | 412174 | BREMSSCHEIBE | 4249 14 | |
| | 2,7 HDi | | 10.2005 | | 24.0112-0174.1 | 412174 | BREMSSCHEIBE | 4249 14 | |
| | 3,0 V6 | | 10.2005 | | 24.0112-0174.1 | 412174 | BREMSSCHEIBE | 4249 14 | |
| BOXER (06-) | 2,2 HDi (12/14) | | 04.2006 | | 03.0137-4004.2 | 654004 | TBB.-SATZ | 4241 N5 , 77364023 | |
| | 2,2 HDi (16H) | | 04.2006 | | 03.0137-4004.2 | 654004 | TBB.-SATZ | 4241 N5 , 77364023 | |
| | 2,2 HDi (16L) | | 04.2006 | | 03.0137-4004.2 | 654004 | TBB.-SATZ | 4241 N5 , 77364023 | |
| | 2,2 HDi (20) | | 04.2006 | | 03.0137-4004.2 | 654004 | TBB.-SATZ | 4241 N5 , 77364023 | |
| | 3,0 HDi (12/14) | | 04.2006 | | 03.0137-4004.2 | 654004 | TBB.-SATZ | 4241 N5 , 77364023 | |
| | 3,0 HDi (16H) | | 04.2006 | | 03.0137-4004.2 | 654004 | TBB.-SATZ | 4241 N5 , 77364023 | |
| | 3,0 HDi (16L) | | 04.2006 | | 03.0137-4004.2 | 654004 | TBB.-SATZ | 4241 N5 , 77364023 | |
| | 3,0 HDi (20) | | 04.2006 | | 03.0137-4004.2 | 654004 | TBB.-SATZ | 4241 N5 , 77364023 | |

SUBARU

| | | | | | | | | | |
|---------------------|---------------|--|---------|--|----------------|--------|---------------|--|--|
| JUSTY (G3X) (03-07) | 1,3 i 16V | | 09.2003 | | 24.3728-2200.2 | 592200 | KUPPLUNGSSEIL | 2371086G00 , 23710-80G00 , 23710-86G00 | |
| | 1,3 i 16V 4WD | | 09.2003 | | 24.3728-2200.2 | 592200 | KUPPLUNGSSEIL | 2371086G00 , 23710-80G00 , 23710-86G00 | |



| | | | | | | | |
|--|--|--|--|--|-------------|--|--------------------------------------|
| | | | | | Bezeichnung | OE-Nummern zu ATE Artikelnummern | z.B. Vorsachnummern / diverse |
|--|--|--|--|--|-------------|--|--------------------------------------|

SUZUKI

| | | | | | | | | | |
|-----------------|---------------|--|---------|---------|----------------|--------|---------------|---|--|
| IGNIS I (00-03) | 1,3 i 16V | | 10.2000 | 08.2003 | 24.3728-2200.2 | 592200 | KUPPLUNGSSEIL | 2371086G00 , 23710-80G00 , 23710-86G00 | |
| | 1,3 i 16V 4x4 | | 10.2000 | 08.2003 | 24.3728-2200.2 | 592200 | KUPPLUNGSSEIL | 2371086G00 , 23710-80G00 , 23710-86G00 | |
| | 1,3 Sport | | 10.2000 | 08.2003 | 24.3728-2200.2 | 592200 | KUPPLUNGSSEIL | 2371086G00 , 23710-80G00 , 23710-86G00 | |
| IGNIS II (03-) | 1,3 DDiS | | 09.2003 | | 24.3728-2200.2 | 592200 | KUPPLUNGSSEIL | 2371086G00 , 23710-80G00 , 23710-86G00 | |
| | 1,3 i 16V | | 09.2003 | | 24.3728-2200.2 | 592200 | KUPPLUNGSSEIL | 2371086G00 , 23710-80G00 , 23710-86G00 | |
| | 1,5 Sport | | 12.2003 | | 24.3728-2200.2 | 592200 | KUPPLUNGSSEIL | 2371086G00 , 23710-80G00 , 23710-86G00 | |
| SX4 (06-) | 1,5 | | 06.2006 | | 24.0122-0252.1 | 422252 | BREMSSCHEIBE | 71742850 , 55311-79J01 | |
| | 1,6 VVT | | 06.2006 | | 24.0122-0252.1 | 422252 | BREMSSCHEIBE | 71742850 , 55311-79J01 | |
| | 1,6 VVT 4x4 | | 06.2006 | | 24.0122-0252.1 | 422252 | BREMSSCHEIBE | 71742850 , 55311-79J01 | |
| | 1,9 DDiS | | 06.2006 | | 24.0122-0252.1 | 422252 | BREMSSCHEIBE | 71742850 , 55311-79J01 | |
| | 1,9 DDiS 4x4 | | 06.2006 | | 24.0122-0252.1 | 422252 | BREMSSCHEIBE | 71742850 , 55311-79J01 | |



| | | | | | | | | |
|--|--|--|--|--|-------------|--|--|----------------------------------|
| | | | | | Bezeichnung | OE-Nummern zu ATE Artikelnummern | | z.B. Vorsachnummern / diverse |
|--|--|--|--|--|-------------|--|--|----------------------------------|

TOYOTA

| | | | | | | | | | |
|-----------------|----------------------|----|---------|---------|----------------|--------|--------------|---------------------------|--|
| COROLLA (92-97) | 1,3 16V (EE101) | VR | 05.1992 | 04.1997 | 24.3541-1706.5 | 240112 | FAUSTSATTEL | 47730-12450 | |
| | | VL | 05.1992 | 04.1997 | 24.3541-1705.5 | 240111 | FAUSTSATTEL | 47750-12450 | |
| | 1,6 (AE101) | VR | 05.1992 | 04.1997 | 24.3541-1706.5 | 240112 | FAUSTSATTEL | 47730-12450 | |
| | | VL | 05.1992 | 04.1997 | 24.3541-1705.5 | 240111 | FAUSTSATTEL | 47750-12450 | |
| | 1,8 (AE102) | VR | 05.1992 | 05.1995 | 24.3541-1706.5 | 240112 | FAUSTSATTEL | 47730-12450 | |
| | | VL | 05.1992 | 05.1995 | 24.3541-1705.5 | 240111 | FAUSTSATTEL | 47750-12450 | |
| | 1,8 (AE103) | VR | 05.1995 | 04.1997 | 24.3541-1706.5 | 240112 | FAUSTSATTEL | 47730-12450 | |
| | | VL | 05.1995 | 04.1997 | 24.3541-1705.5 | 240111 | FAUSTSATTEL | 47750-12450 | |
| | 2,0 D (CE100) | VL | 05.1992 | 04.1997 | 24.3541-1705.5 | 240111 | FAUSTSATTEL | 47750-12450 | |
| | | VR | 05.1992 | 04.1997 | 24.3541-1706.5 | 240112 | FAUSTSATTEL | 47730-12450 | |
| HILUX (05-) | 2,5 D-4D 4x4 (KUN25) | | 08.2005 | | 03.0137-0485.2 | 650485 | TBB.-SATZ | 04495-0K070 , 04495-0K120 | |
| YARIS (06-) | 1,0 VVT-i | | 01.2006 | | 24.0109-0142.1 | 409142 | BREMSSCHEIBE | 42431-0D060 | |
| | 1,3 VVT-i | | 01.2006 | | 24.0109-0142.1 | 409142 | BREMSSCHEIBE | 42431-0D060 | |
| | 1,4 D-4D | | 01.2006 | | 24.0109-0142.1 | 409142 | BREMSSCHEIBE | 42431-0D060 | |
| | 1,8 VVT-i | | 01.2007 | | 24.0109-0142.1 | 409142 | BREMSSCHEIBE | 42431-0D060 | |
| YARIS (99-) | 1,0 i 16V | VL | 04.2003 | | 24.3511-1711.5 | 240379 | FAUSTSATTEL | 47750-52020 | |
| | | VL | 08.1999 | 03.2003 | 24.3511-1711.5 | 240379 | FAUSTSATTEL | 47750-52020 | |
| | | VR | 04.2003 | | 24.3511-1712.5 | 240380 | FAUSTSATTEL | 47730-52020 | |
| | | VR | 08.1999 | 03.2003 | 24.3511-1712.5 | 240380 | FAUSTSATTEL | 47730-52020 | |



| | | | | | | | | |
|--|--|--|--|--|-------------|--|--|----------------------------------|
| | | | | | Bezeichnung | OE-Nummern zu ATE Artikelnummern | | z.B. Vorsachnummern / diverse |
|--|--|--|--|--|-------------|--|--|----------------------------------|

TOYOTA

| | | | | | | | | | |
|-------------------|----------------------|----|---------|---------|----------------|--------|-------------|-------------|--|
| YARIS (99-) | 1,3 i 16V | VR | 04.2002 | | 24.3511-1712.5 | 240380 | FAUSTSATTEL | 47730-52020 | |
| | | VL | 04.2002 | | 24.3511-1711.5 | 240379 | FAUSTSATTEL | 47750-52020 | |
| | | VR | 09.1999 | 10.2004 | 24.3511-1712.5 | 240380 | FAUSTSATTEL | 47730-52020 | |
| | | VL | 09.1999 | 10.2004 | 24.3511-1711.5 | 240379 | FAUSTSATTEL | 47750-52020 | |
| | 1,4 D-4D | VL | 12.2001 | 03.2003 | 24.3511-1711.5 | 240379 | FAUSTSATTEL | 47750-52020 | |
| | | VR | 12.2001 | 03.2003 | 24.3511-1712.5 | 240380 | FAUSTSATTEL | 47730-52020 | |
| | 1,5 VVTi Sport | VR | 01.2003 | | 24.3511-1712.5 | 240380 | FAUSTSATTEL | 47730-52020 | |
| | | VR | 04.2001 | | 24.3511-1712.5 | 240380 | FAUSTSATTEL | 47730-52020 | |
| | | VL | 04.2001 | | 24.3511-1711.5 | 240379 | FAUSTSATTEL | 47750-52020 | |
| | | VL | 01.2003 | | 24.3511-1711.5 | 240379 | FAUSTSATTEL | 47750-52020 | |
| | 1,5 VVTi Turbo Sport | VR | 04.2003 | 10.2004 | 24.3511-1712.5 | 240380 | FAUSTSATTEL | 47730-52020 | |
| | | VL | 04.2003 | 10.2004 | 24.3511-1711.5 | 240379 | FAUSTSATTEL | 47750-52020 | |
| YARIS VERSO (99-) | 1,3 i 16V | VR | 11.1999 | | 24.3511-1712.5 | 240380 | FAUSTSATTEL | 47730-52020 | |
| | | VR | 08.2000 | | 24.3511-1712.5 | 240380 | FAUSTSATTEL | 47730-52020 | |
| | | VL | 11.1999 | | 24.3511-1711.5 | 240379 | FAUSTSATTEL | 47750-52020 | |
| | | VL | 08.2000 | | 24.3511-1711.5 | 240379 | FAUSTSATTEL | 47750-52020 | |
| | 1,4 D-4D | VR | 12.2001 | | 24.3511-1712.5 | 240380 | FAUSTSATTEL | 47730-52020 | |
| | | VL | 12.2001 | | 24.3511-1711.5 | 240379 | FAUSTSATTEL | 47750-52020 | |
| | 1,5 VVTi | VL | 05.2003 | | 24.3511-1711.5 | 240379 | FAUSTSATTEL | 47750-52020 | |



| | | | | | | |
|---|---|--|---|--------------------|---|---|
|  |  |  |  | Bezeichnung | OE-Nummern zu ATE Artikelnummern |  z.B. Vorsachnummern / diverse |
|---|---|--|---|--------------------|---|---|

TOYOTA

| | | | | | | | | | |
|-------------------|----------------|----|---------|--|----------------|--------|-------------|-------------|--|
| YARIS VERSO (99-) | 1,5 VVTi | VR | 05.2003 | | 24.3511-1712.5 | 240380 | FAUSTSATTEL | 47730-52020 | |
| | 1,5 VVTi Sport | VR | 03.2000 | | 24.3511-1712.5 | 240380 | FAUSTSATTEL | 47730-52020 | |
| | | VL | 03.2000 | | 24.3511-1711.5 | 240379 | FAUSTSATTEL | 47750-52020 | |



| | | | | | | | | |
|---|---|---|---|---|-------------|--|---|----------------------------------|
|  |  |  |  |  | Bezeichnung | OE-Nummern zu ATE Artikelnummern |  | z.B. Vorsachnummern / diverse |
|---|---|---|---|---|-------------|--|---|----------------------------------|

VOLKSWAGEN

| | | | | | | | | | |
|------------------------|-----------------|----|---------|--|----------------|--------|---------------|-------------------------------|---------------------------|
| CRAFTER (06-) | 2,5 TDI | | 04.2006 | | 24.0116-0121.1 | 416121 | BREMSSCHEIBE | 906 423 00 12 , 2E0 615 601 A | |
| | | | 04.2006 | | 03.0137-4003.2 | 654003 | TBB.-SATZ | 906 420 03 20 , 2E0 698 525 | |
| TRANSPORTER (T5) (03-) | 1,9 TDI | HR | 06.2006 | | 24.5137-0190.3 | 330878 | BREMSSCHLAUCH | 7H0 611 776 | |
| | | HR | 04.2003 | | 24.5137-0190.3 | 330878 | BREMSSCHLAUCH | 7H0 611 776 | |
| | | | 04.2003 | | 13.0460-7240.2 | 607240 | BELAGSATZ | 7H0 698 151 A | s. Abb. |
| | | | 04.2003 | | 13.0460-7236.2 | 607236 | BELAGSATZ | 7H0 698 151 | 13.0460-7192.2 s. Abb. |
| | | | 09.2006 | | 13.0460-7240.2 | 607240 | BELAGSATZ | 7H0 698 151 A | s. Abb. |
| | | | 06.2006 | | 13.0460-7236.2 | 607236 | BELAGSATZ | 7H0 698 151 | 13.0460-7192.2 s. Abb. |
| | 2 | HR | 06.2003 | | 24.5137-0190.3 | 330878 | BREMSSCHLAUCH | 7H0 611 776 | |
| | | | 06.2003 | | 13.0460-7240.2 | 607240 | BELAGSATZ | 7H0 698 151 A | s. Abb. |
| | | | 06.2003 | | 13.0460-7236.2 | 607236 | BELAGSATZ | 7H0 698 151 | 13.0460-7192.2 s. Abb. |
| | 2,5 TDI | HR | 02.2003 | | 24.5137-0190.3 | 330878 | BREMSSCHLAUCH | 7H0 611 776 | |
| | | | 02.2003 | | 13.0460-7236.2 | 607236 | BELAGSATZ | 7H0 698 151 | 13.0460-7192.2 s. Abb. |
| | | | 02.2003 | | 13.0460-7240.2 | 607240 | BELAGSATZ | 7H0 698 151 A | s. Abb. |
| | 2,5 TDI 4motion | HR | 07.2004 | | 24.5137-0190.3 | 330878 | BREMSSCHLAUCH | 7H0 611 776 | |
| | | | 07.2004 | | 13.0460-7236.2 | 607236 | BELAGSATZ | 7H0 698 151 | 13.0460-7192.2 s. Abb. |
| | | | 07.2004 | | 13.0460-7240.2 | 607240 | BELAGSATZ | 7H0 698 151 A | s. Abb. |



| | | | | | | | |
|--|--|--|--|--|-------------|--|--------------------------------------|
| | | | | | Bezeichnung | OE-Nummern zu ATE Artikelnummern | z.B. Vorsachnummern / diverse |
|--|--|--|--|--|-------------|--|--------------------------------------|

VOLKSWAGEN

| | | | | | | | | | |
|-----------------------------|----------------|----|---------|---------|----------------|--------|---------------|---------------|---------------------------|
| TRANSPORTER (T5) (03-) | 3,2 V6 | HR | 02.2003 | | 24.5137-0190.3 | 330878 | BREMSSCHLAUCH | 7H0 611 776 | |
| | | | 02.2003 | | 13.0460-7236.2 | 607236 | BELAGSATZ | 7H0 698 151 | 13.0460-7192.2 s. Abb. |
| | | | 02.2003 | | 13.0460-7240.2 | 607240 | BELAGSATZ | 7H0 698 151 A | s. Abb. |
| | 3,2 V6 4motion | HR | 07.2004 | | 24.5137-0190.3 | 330878 | BREMSSCHLAUCH | 7H0 611 776 | |
| | | | 07.2004 | | 13.0460-7236.2 | 607236 | BELAGSATZ | 7H0 698 151 | 13.0460-7192.2 s. Abb. |
| | | | 07.2004 | | 13.0460-7240.2 | 607240 | BELAGSATZ | 7H0 698 151 A | s. Abb. |
| TRANSPORTER (Typ 2) (79-92) | 1,6 TD | VR | | 09.1992 | 24.3601-1710.5 | 240276 | FAUSTSATTEL | 251 615 124 C | |
| | | VL | | 09.1992 | 24.3601-1709.5 | 240275 | FAUSTSATTEL | 251 615 123 C | |
| | 1,6 TD Syncro | VR | | 09.1992 | 24.3601-1710.5 | 240276 | FAUSTSATTEL | 251 615 124 C | |
| | | VL | | 09.1992 | 24.3601-1709.5 | 240275 | FAUSTSATTEL | 251 615 123 C | |
| | 1,7 D | VR | | 09.1992 | 24.3601-1710.5 | 240276 | FAUSTSATTEL | 251 615 124 C | |
| | | VL | | 09.1992 | 24.3601-1709.5 | 240275 | FAUSTSATTEL | 251 615 123 C | |
| | 1,9 | VR | | 09.1992 | 24.3601-1710.5 | 240276 | FAUSTSATTEL | 251 615 124 C | |
| | | VL | | 09.1992 | 24.3601-1709.5 | 240275 | FAUSTSATTEL | 251 615 123 C | |
| | 1,9 Syncro | VR | | 09.1992 | 24.3601-1710.5 | 240276 | FAUSTSATTEL | 251 615 124 C | |
| | | VL | | 09.1992 | 24.3601-1709.5 | 240275 | FAUSTSATTEL | 251 615 123 C | |
| | 2,1 | VR | | 09.1992 | 24.3601-1710.5 | 240276 | FAUSTSATTEL | 251 615 124 C | |
| | | VL | | 09.1992 | 24.3601-1709.5 | 240275 | FAUSTSATTEL | 251 615 123 C | |



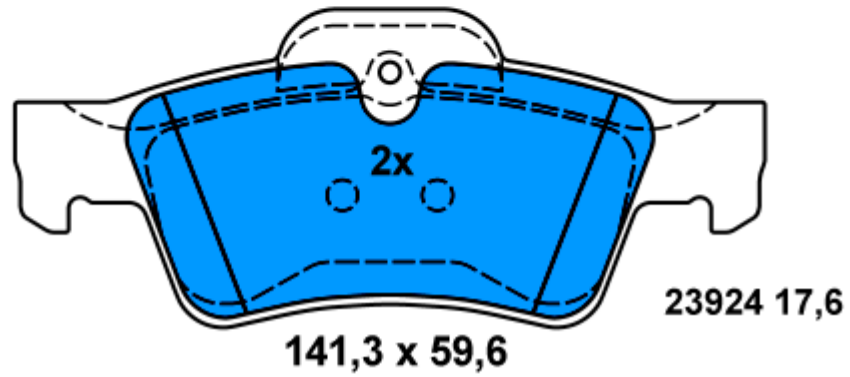
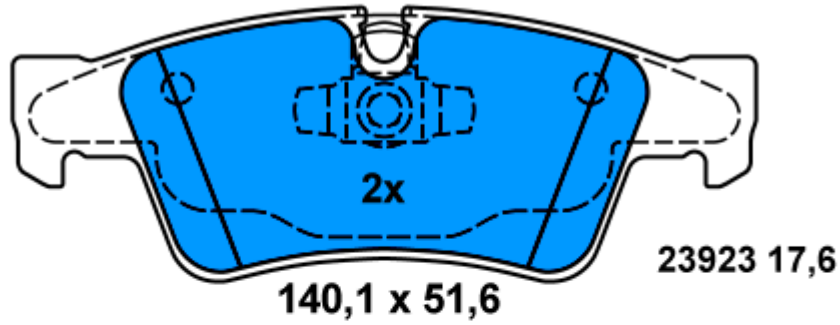
| | | | | | | | |
|--|--|--|--|--|-------------|--|--------------------------------------|
| | | | | | Bezeichnung | OE-Nummern zu ATE Artikelnummern | z.B. Vorsachnummern / diverse |
|--|--|--|--|--|-------------|--|--------------------------------------|

VOLKSWAGEN

| | | | | | | | | | |
|-----------------------------|------------|----|--|---------|----------------|--------|-------------|---------------|--|
| TRANSPORTER (Typ 2) (79-92) | 2,1 Syncro | VR | | 09.1992 | 24.3601-1710.5 | 240276 | FAUSTSATTEL | 251 615 124 C | |
| | | VL | | 09.1992 | 24.3601-1709.5 | 240275 | FAUSTSATTEL | 251 615 123 C | |



13.0460-7219.2 607219



Verwendungen:

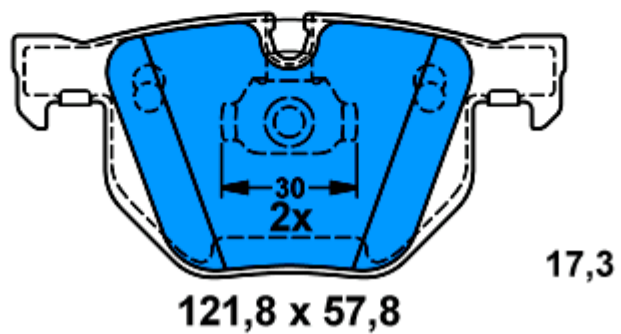
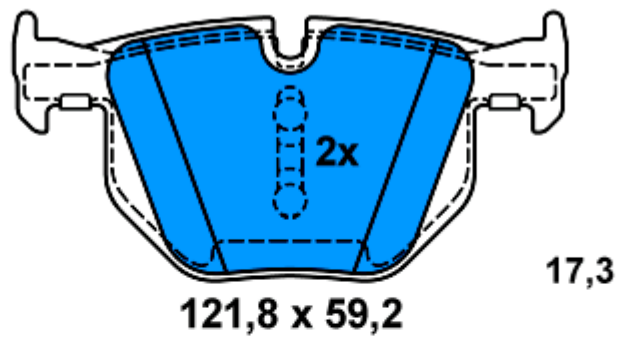
MERCEDES BENZ GL-Klasse (X164) (06-)
MERCEDES BENZ M-Klasse (W164) (05-)
MERCEDES BENZ R-Klasse (R251) (06-)



13.0460-7232.2 607232

Verwendungen:

BMW X5 (07-)
BMW X6 (08-)

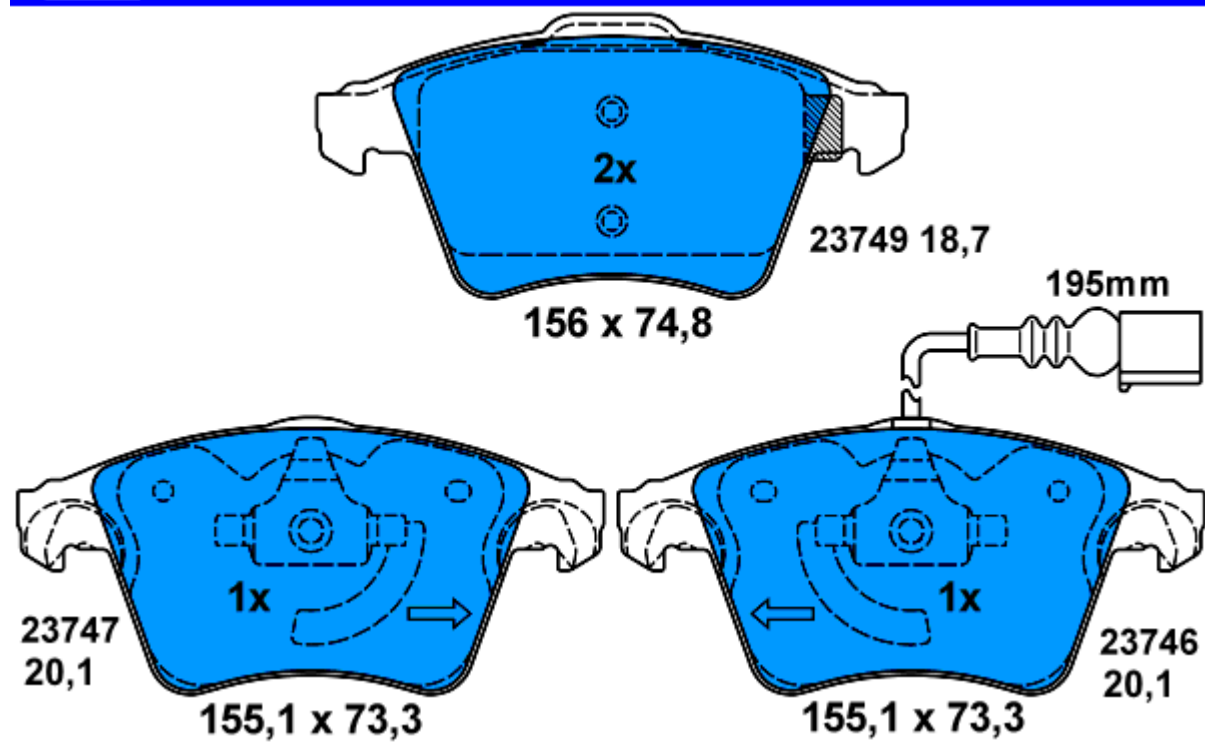




13.0460-7236.2 607236

Verwendungen:

VOLKSWAGEN TRANSPORTER (T5) (03-)

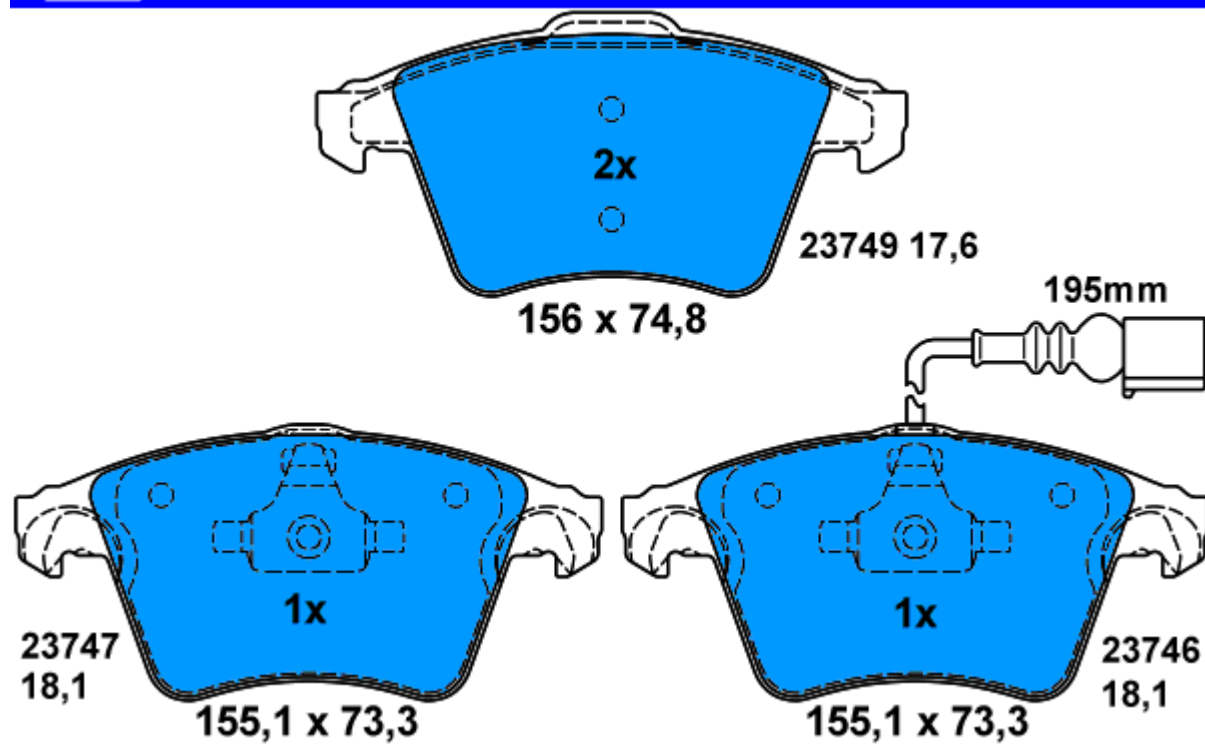




13.0460-7240.2 607240

Verwendungen:

VOLKSWAGEN TRANSPORTER (T5) (03-)

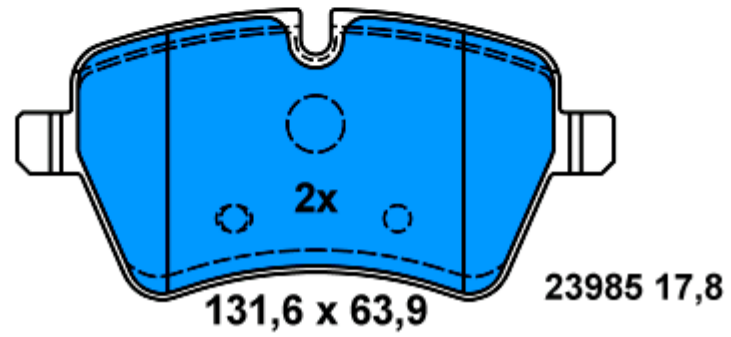
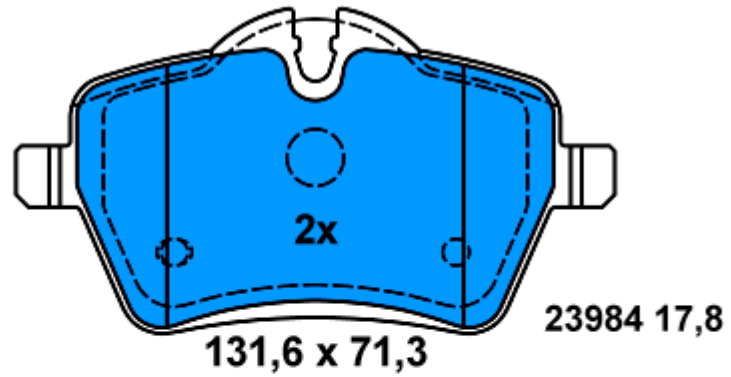
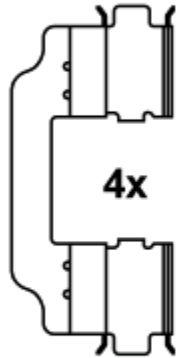




13.0460-2725.2 602725

Verwendungen:

MINI R50/R53 (00-06)
MINI R52 Cabrio (04-)
MINI R55 Clubman (07-)
MINI R56 (06-)

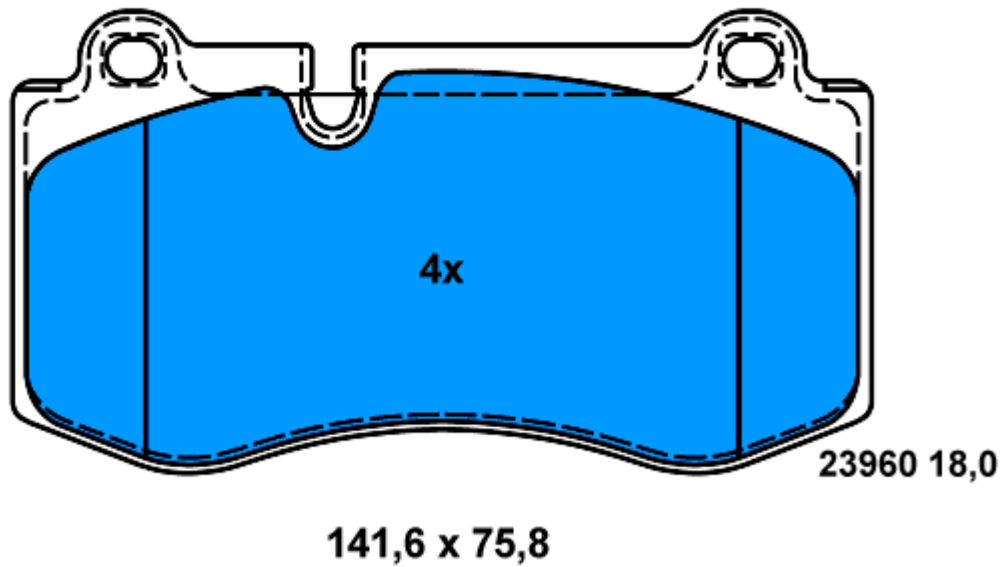




13.0460-4817.2 604817

Verwendungen:

MERCEDES BENZ CL-Klasse (C216) Coupe (06-)
MERCEDES BENZ CLS-Klasse (C219) Coupe (04-)
MERCEDES BENZ S-Klasse (W221) (06-)
MERCEDES BENZ SL-Klasse (R230) (01-)





13.0460-3846.2 603846

Verwendungen:

FIAT 500 (07-)

